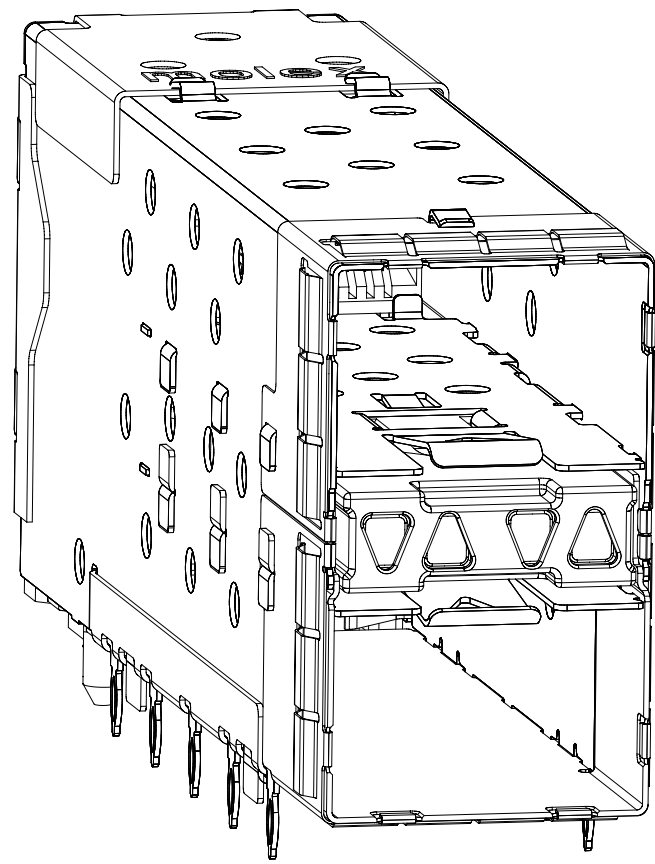


NOTES

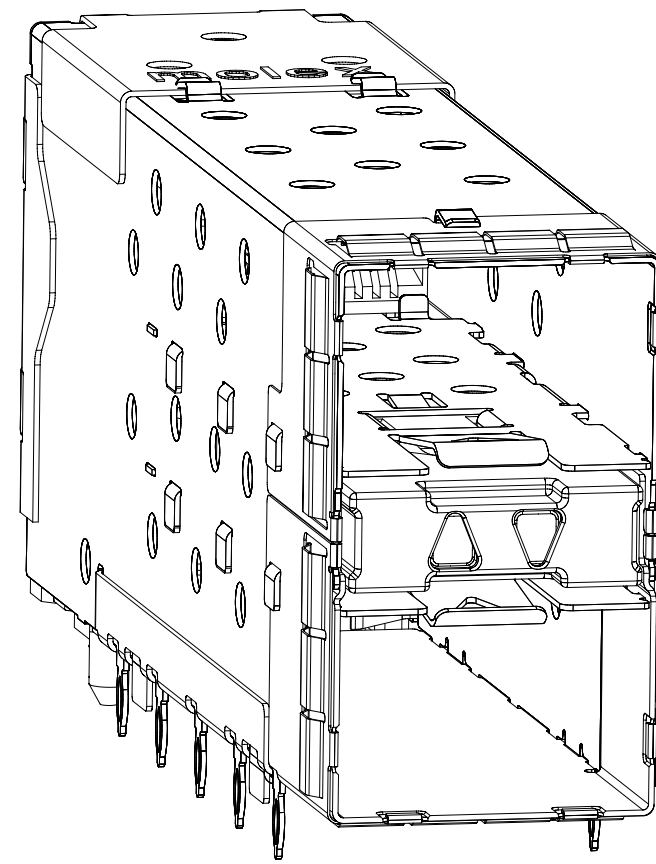
- MATERIAL:
 - CAGE: NICKEL SILVER, THICKNESS: 0.25mm
 - CONNECTOR HOUSING: GLASS FILLED LIQUID CRYSTAL POLYMER (LCP), UL 94V-0, COLOR: BLACK
 - OVERMOLD TERMINAL HOUSING: GLASS FILLED LIQUID CRYSTAL POLYMER (LCP), UL 94V-0, COLOR: BLACK
 - TERMINALS: TIN BRASS
 - EMI GASKET: PHOS-BRONZE
 - LIGHTPIPE HOUSING: ZINC
 - LIGHTPIPES: POLYCARBONATE, UL 94 HB, COLOR: CLEAR
- FINISHES:
 - TERMINALS: CONTACT AREA: 0.76 MICROMETERS MINIMUM HARD GOLD OVER 1.27 MICROMETERS MINIMUM NICKEL.
 - COMPLIANT TAIL - MATTE TIN/LEAD OPTION: 0.76 TO 1.52 MICROMETERS 90/10 MATTE TIN-LEAD OVER 0.76 MICROMETERS MINIMUM NICKEL.
 - COMPLIANT TAIL - MATTE TIN OPTION: 0.76 TO 1.52 MICROMETERS MATTE TIN OVER 0.76 MICROMETERS MINIMUM NICKEL.
 - LIGHTPIPE HOUSING: 80 MICROMETERS MINIMUM NICKEL OVER COPPER
 - EMI GASKET: 2.54 MICROMETERS MINIMUM NICKEL OVERALL
- REFER TO PS-75310-001 PRODUCT SPEC FOR ALL ELECTRICAL, MECHANICAL, AND ENVIRONMENTAL SPECIFICATIONS.
- LIGHTPIPE PAD LAYOUT IS FOR O805 LOW-PROFILE LED PACKAGE, FOR OTHER RECOMMENDED LAYOUTS REFER TO MOLEX'S REPORT TS-75310-001.
- REFER TO PK-75462-001 FOR ALL PACKAGING SPECIFICATIONS.
- THE SURFACES CONFORM TO THE MOLEX COSMETIC SPEC PS-45499-002. ALL EXTERIOR SURFACES TO BE CLASS "B" SURFACE EXCEPT THE UNDERSIDE (CLASS "C") OF THE CAGE (SIDE TOWARD THE PCB) AND AS OTHERWISE NOTED.
- THE OVERALL CAGE WIDTH AT THE VERTICAL CENTER OF THE FRONT EDGE WILL FALL WITHIN THIS DIMENSION: 15.05+/-0.30 MM. THIS PORTION OF THE CAGE WILL FLEX INWARD AS THE CAGE IS BEING INSERTED INTO THE BEZEL OPENING.
- REFER TO AS-76090-001 FOR HIGH SPEED ROUTING RECOMMENDATIONS.
- DATE CODE LOCATION IS SHOWN ABOVE.
 - DATE CODE FORMAT: DDDY MX A1
 - DDD = DAY OF THE YEAR
 - Y = YEAR
 - MX = MOLEX
 - A = ALPHA CHARACTER - INDICATES MANUFACTURING LINE
 - 1 = NUMERIC CHARACTER - INDICATES PRODUCTION SHIFT

PART NUMBER	LIGHTPIPE CONFIGURATION (SEE VIEWS ON SHEET 2)	COMPLIANT TAIL PLATING
760445001	4 LIGHT PORTS	MATTE TIN
760445002	INNER 2 PORTS	MATTE TIN
760445003	OUTER 2 PORTS	MATTE TIN
760445004	OUTER 2 PORTS - SPECIAL CONFIG	MATTE TIN

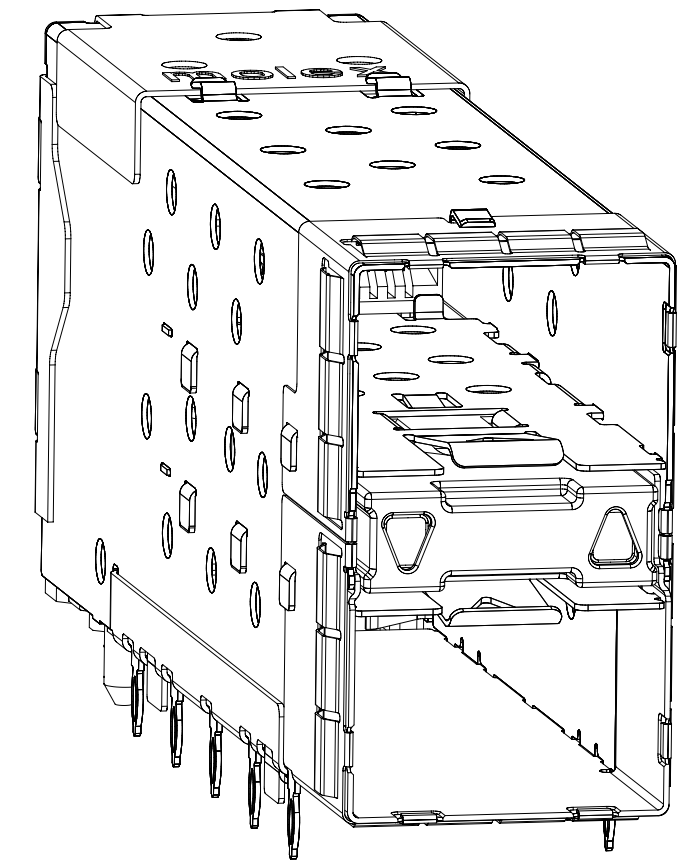
QUALITY SYMBOLS	THIS DRAWING CONTAINS INFORMATION THAT IS PROPRIETARY TO MOLEX ELECTRONIC TECHNOLOGIES, LLC AND SHOULD NOT BE USED WITHOUT WRITTEN PERMISSION					
	SEE REVISION TABLE EC NO: 168912 DRWN: SVANG01 CHKD: SVANG01 REV: APPR: CHIRSCHY	GENERAL TOLERANCES (UNLESS SPECIFIED)	DIMENSION UNITS	SCALE		
ANGULAR TOL ± 5.0 °		mm	1:1			
4 PLACES ±		DRWN BY	DATE	STACKED SFP+ 2X1 ASS'Y WITH METAL EMI GASKET AND LIGHTPIPES		
3 PLACES ±		SVANG01	2015/06/11			
2 PLACES ± 0.13	CHKD BY	DATE	PRODUCT CUSTOMER DRAWING			
1 PLACE ± 0.25	BBARKER	2015/06/17				
0 PLACES ±	APPR BY	DATE	SERIES: 76044 MATERIAL NUMBER: SEE TABLE CUSTOMER: GENERAL MARKET			
DRAFT WHERE APPLICABLE MUST REMAIN WITHIN DIMENSIONS	SMILLER	2015/06/30				
	DRAWING SIZE	THIRD ANGLE PROJECTION	DOCUMENT NUMBER: SD-76044-001	DOC TYPE: PSD	DOC PART: 001	SHEET NUMBER: 1 OF 6



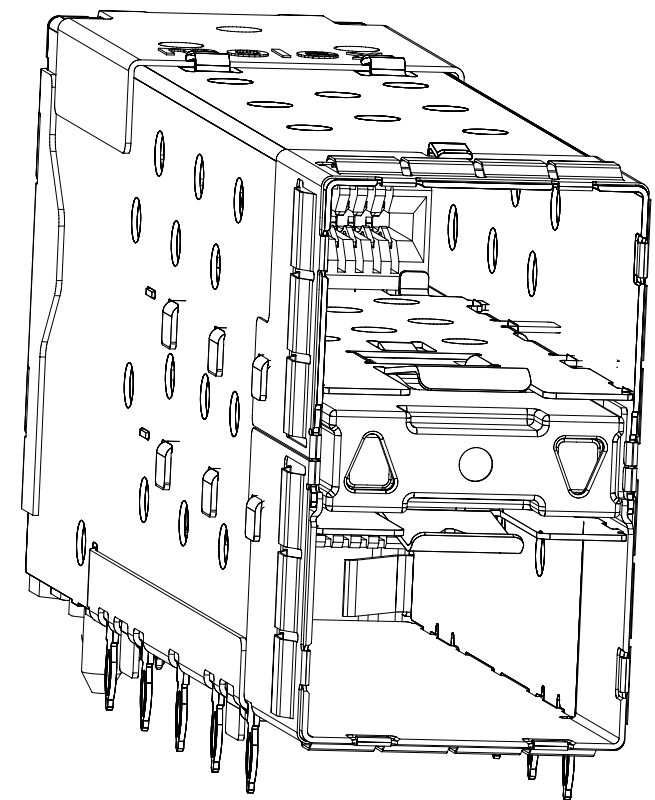
760440001 AND 760445001
WITH INNER AND OUTER LIGHTPIPER



760440002 AND 760445002
WITH INNER LIGHTPIPER

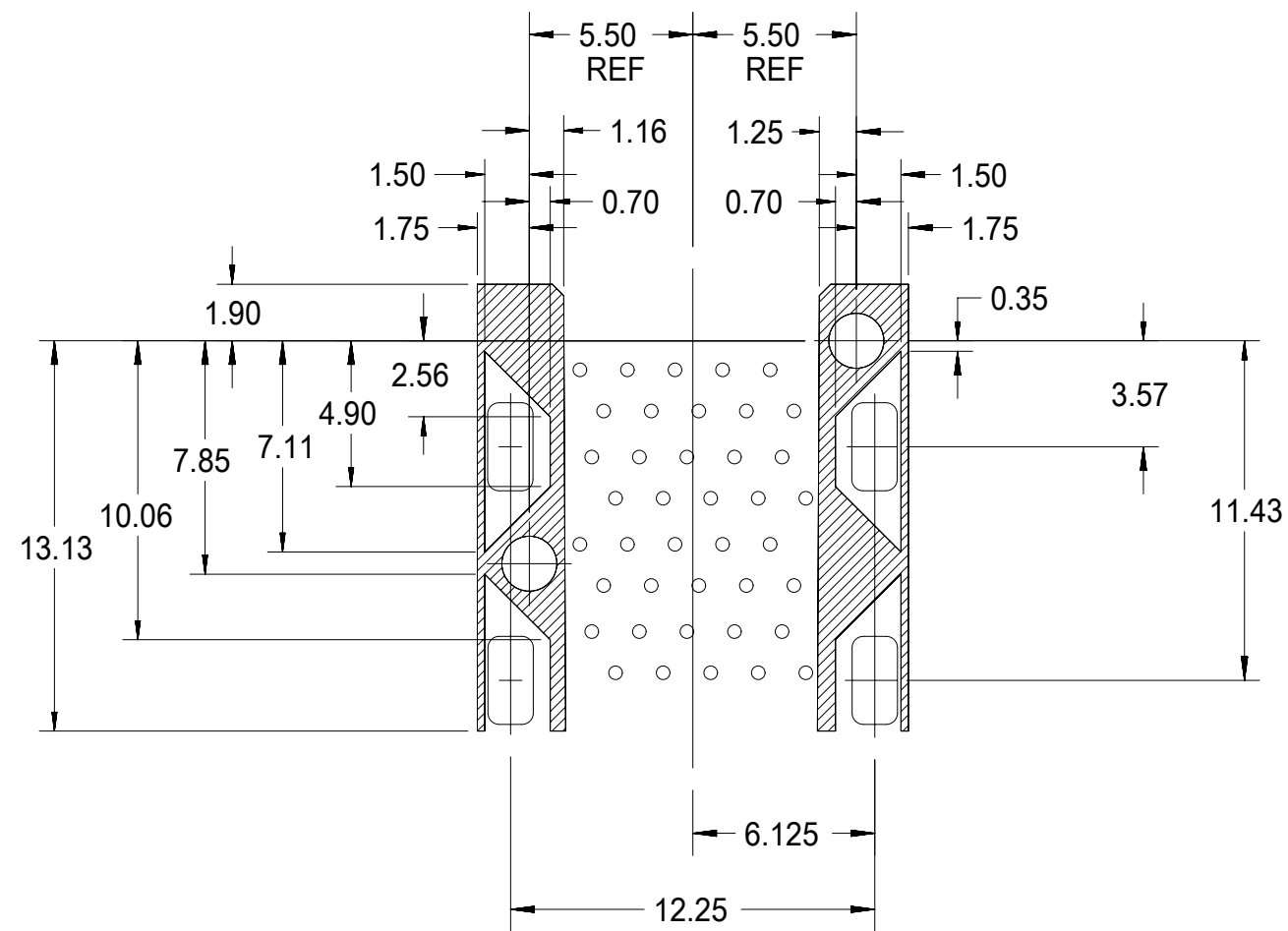


760440003 AND 760445003
WITH OUTER LIGHTPIPER



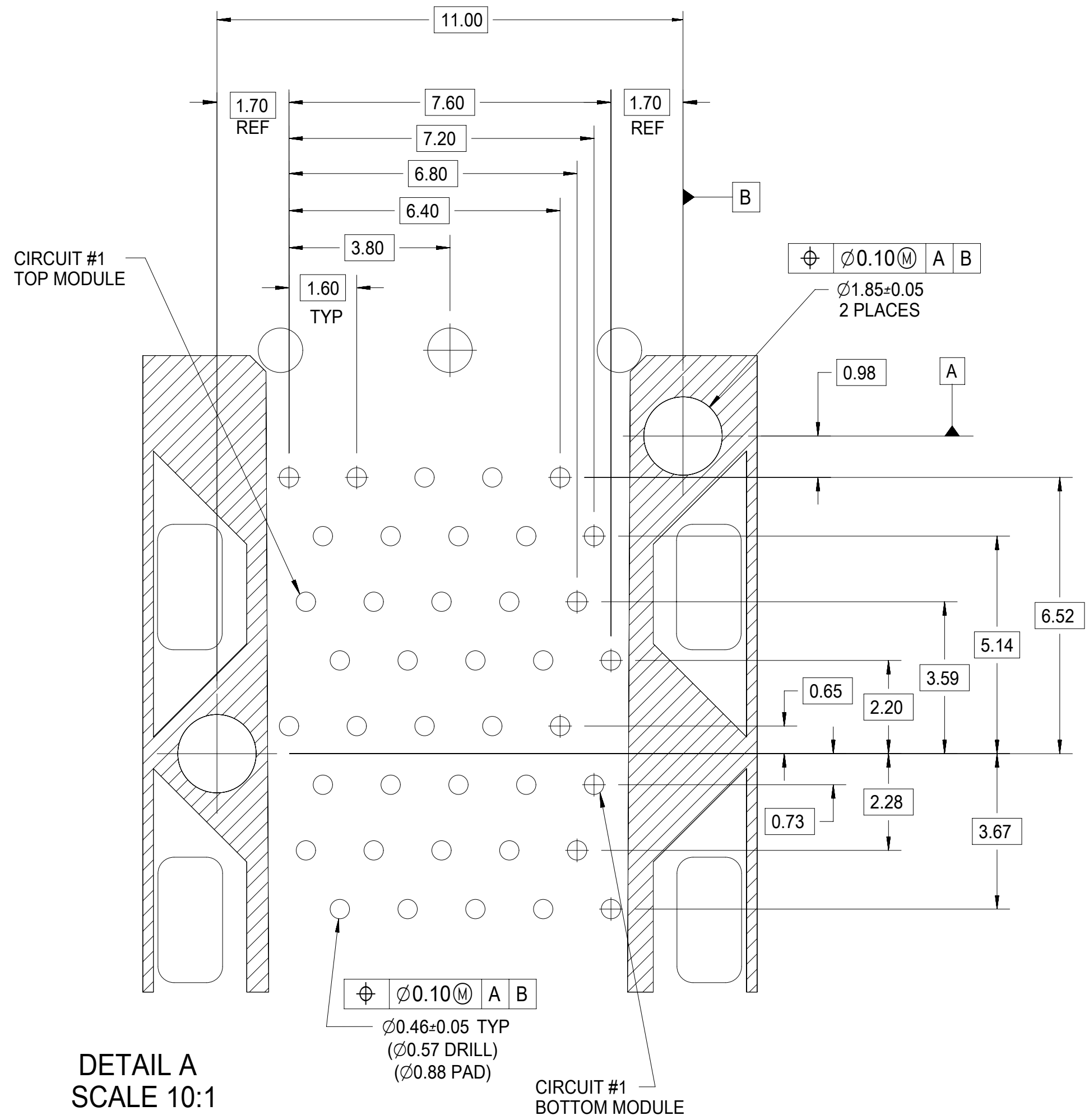
760445004
WITH OUTER LIGHTPIPER

QUALITY SYMBOLS		THIS DRAWING CONTAINS INFORMATION THAT IS PROPRIETARY TO MOLEX ELECTRONIC TECHNOLOGIES, LLC AND SHOULD NOT BE USED WITHOUT WRITTEN PERMISSION									
▽ = 0	SEE REVISION TABLE EC NO: 168912 DRWN: SVANG01 CHKD: SVANG01 REV / APPR: CHIRSCHY	GENERAL TOLERANCES (UNLESS SPECIFIED)		DIMENSION UNITS		SCALE					
▽ = 0		ANGULAR TOL ± 5.0 °		mm		1:1					
▽ = 0		4 PLACES ±		DRWN BY		DATE		STACKED SFP+ 2X1 ASS'Y WITH METAL EMI GASKET AND LIGHTPIPER			
▽ = 0		3 PLACES ±		SVANG01		2015/06/11					
▼ = 0		2 PLACES ± 0.13		CHKD BY		DATE		PRODUCT CUSTOMER DRAWING			
▽ = 0		1 PLACE ± 0.25		BBARKER		2015/06/17					
⊠ = 0		0 PLACES ±		APPR BY		DATE		SERIES: 76044 MATERIAL NUMBER: SEE TABLE CUSTOMER: GENERAL MARKET			
■ = 0		DRAFT WHERE APPLICABLE MUST REMAIN WITHIN DIMENSIONS		SMILLER		2015/06/30					
▽ = 0		L		DRAWING SIZE		THIRD ANGLE PROJECTION		DOCUMENT NUMBER: SD-76044-001 DOC TYPE: PSD DOC PART: 001 SHEET NUMBER: 2 OF 6			
				C							



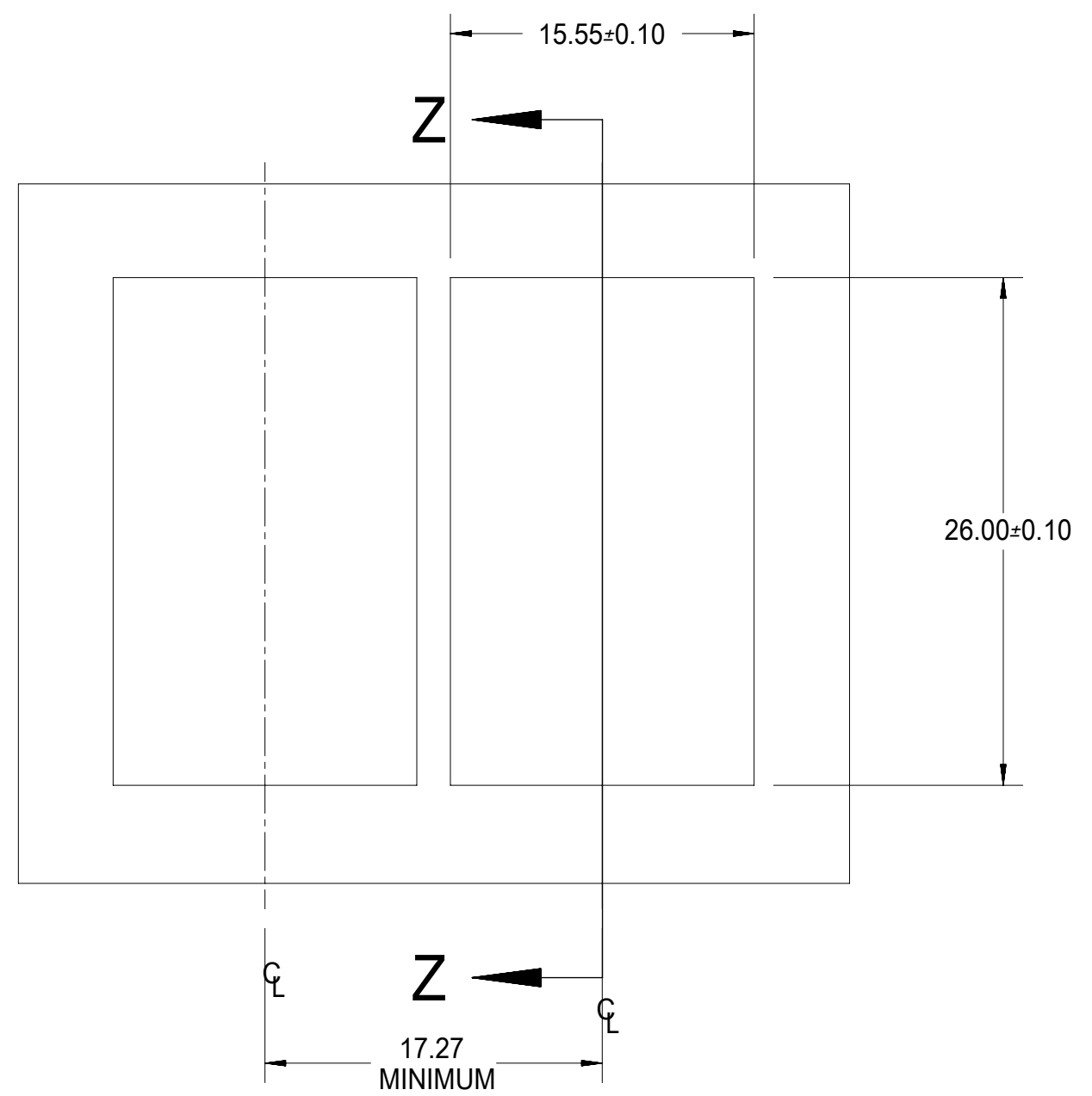
DETAIL - LIGHTPIPE AND OTHER ZONES
SCALE 8:1

THE HATCHED AREA IN THIS VIEW INDICATES ZONES THAT ARE OCCUPIED BY THE PLASTIC HOUSING THAT SEATS AGAINST THE PCB AND BY THE VERTICAL METAL CAGE WALL THAT STOPS JUST SHORT OF THE PCB

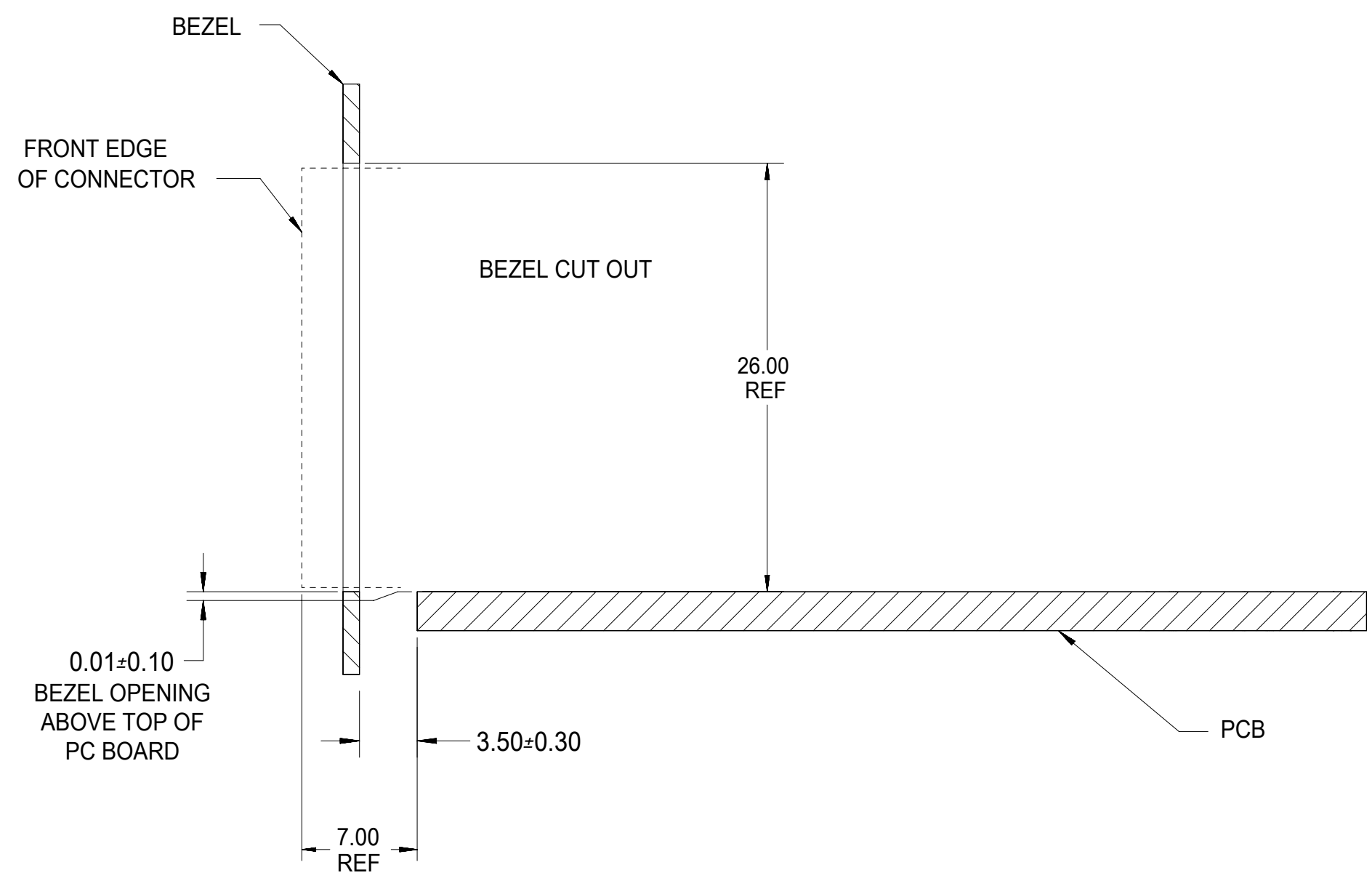


DETAIL A
SCALE 10:1

QUALITY SYMBOLS ▽ = 0 ▽ = 0 ▽ = 0 ▼ = 0 ▽ = 0 ⊠ = 0 ■ = 0 ▽ = 0		THIS DRAWING CONTAINS INFORMATION THAT IS PROPRIETARY TO MOLEX ELECTRONIC TECHNOLOGIES, LLC AND SHOULD NOT BE USED WITHOUT WRITTEN PERMISSION		DIMENSION UNITS: mm SCALE: 1:1			
GENERAL TOLERANCES (UNLESS SPECIFIED) ANGULAR TOL ± 5.0 °		DRWN BY: SVANG01 DATE: 2015/06/11		PRODUCT CUSTOMER DRAWING			
SEE REVISION TABLE EC NO: 168912 DRWN: SVANG01 CHKD: SVANG01 REV: APPR: CHIRSCHY		4 PLACES ± 3 PLACES ± 2 PLACES ± 0.13 1 PLACE ± 0.25 0 PLACES ±		CHKD BY: BBARKER DATE: 2015/06/17		SERIES: 76044 MATERIAL NUMBER: SEE TABLE CUSTOMER: GENERAL MARKET	
DRAFT WHERE APPLICABLE MUST REMAIN WITHIN DIMENSIONS		DRAWING SIZE: C THIRD ANGLE PROJECTION		APPR BY: SMILLER DATE: 2015/06/30		DOCUMENT NUMBER: SD-76044-001 DOC TYPE: PSD DOC PART: 001 SHEET NUMBER: 4 OF 6	



BEZEL CUT-OUT CENTER SPACING DETAIL
BEZEL THICKNESS 0.8-2.6



SECTION Z-Z

QUALITY SYMBOLS ▽ = 0 ▽ = 0 ▽ = 0 ▼ = 0 ▽ = 0 ⊠ = 0 ■ = 0 ▽ = 0	THIS DRAWING CONTAINS INFORMATION THAT IS PROPRIETARY TO MOLEX ELECTRONIC TECHNOLOGIES, LLC AND SHOULD NOT BE USED WITHOUT WRITTEN PERMISSION										
	SEE REVISION TABLE EC NO: 168912 DRWN: SVANG01 CHKD: SVANG01 REV: APPR: CHIRSCHY	2017/12/21	2017/12/21	2018/01/02	GENERAL TOLERANCES (UNLESS SPECIFIED)		DIMENSION UNITS	SCALE			
		ANGULAR TOL ± 5.0 °		mm	1:1						
		4 PLACES	±	DRWN BY	DATE	PRODUCT CUSTOMER DRAWING					
		3 PLACES	±	SVANG01	2015/06/11						
		2 PLACES	± 0.13	CHKD BY	DATE						
	1 PLACE	± 0.25	BBARKER	2015/06/17	SERIES MATERIAL NUMBER CUSTOMER 76044 SEE TABLE GENERAL MARKET						
	0 PLACES	±	APPR BY	DATE							
	DRAFT WHERE APPLICABLE MUST REMAIN WITHIN DIMENSIONS		DRAWING SIZE	THIRD ANGLE PROJECTION	DOCUMENT NUMBER DOC TYPE DOC PART SHEET NUMBER SD-76044-001 PSD 001 5 OF 6						
			C								

REV	DATE	DESCRIPTION
J	11/21/2017	UPDATE VIEWS TO SHOW HOOKS AND POCKETS, CLARIFY NOTE 1, MASTERED TO NX AND RELEASE
K	11/28/2017	CHANGE REVISION G TO J IN REVISION TABLE, REMOVED OBSOLETE PART NUMBERS 76044-0001/0002/0003 FROM TABLE ON SHEET 1.
L	12/21/2017	UPDATE VIEW TO INDICATE ONLY 5 TAILS PER SIDE ON TOP COVER

H
G
F
E
D
C
B
A

QUALITY SYMBOLS		THIS DRAWING CONTAINS INFORMATION THAT IS PROPRIETARY TO MOLEX ELECTRONIC TECHNOLOGIES, LLC AND SHOULD NOT BE USED WITHOUT WRITTEN PERMISSION										
	= 0	SEE REVISION TABLE EC NO: 168912 DRWN: SVANG01 CHKD: SVANG01 REV: APPR: CHIRSCHY	2017/12/21 2017/12/21 2018/01/02	GENERAL TOLERANCES (UNLESS SPECIFIED)		DIMENSION UNITS	SCALE	molex STACKED SFP+ 2X1 ASS'Y WITH METAL EMI GASKET AND LIGHTPIPES				
	= 0			ANGULAR TOL ± 5.0 °		mm	1:1					
	= 0			4 PLACES ±		DRWN BY	DATE	SVANG01		2015/06/11		
	= 0			3 PLACES ±		CHKD BY	DATE	BBARKER		2015/06/17		
	= 0			2 PLACES ± 0.13		APPR BY	DATE	SMILLER		2015/06/30		
	= 0			1 PLACE ± 0.25		DRAWING SIZE		THIRD ANGLE PROJECTION		PRODUCT CUSTOMER DRAWING		
	= 0			0 PLACES ±		C				SERIES	MATERIAL NUMBER	CUSTOMER
	= 0			DRAFT WHERE APPLICABLE MUST REMAIN WITHIN DIMENSIONS		76044		SEE TABLE		GENERAL MARKET		
	= 0			L		DOCUMENT NUMBER		SD-76044-001		DOC TYPE	DOC PART	SHEET NUMBER
						C				PSD	001	6 OF 6