

Protective collar for EMERGENCY STOP mushroom pushbutton, with and without RONIS lock, 22 mm design, gray, plastic,



| | |
|---|---|
| product brand name | SIRIUS ACT |
| product designation | Protective collar |
| design of the product | for EMERGENCY STOP mushroom pushbuttons without lock or with RONIS lock |
| product type designation | 3SU1 |
| General technical data | |
| protection class IP | IP66, IP67, IP69(IP69K) |
| degree of protection NEMA rating | 1, 2, 3, 3R, 4, 4X, 12 |
| Installation/ mounting/ dimensions | |
| height | 58.9 mm |
| width | 74.8 mm |
| depth | 47.5 mm |
| Accessories | |
| material of accessory | Plastic |
| color of accessory | gray |
| Certificates/ approvals | |
| General Product Approval | Declaration of Conformity |



[Miscellaneous](#)

[Miscellaneous](#)

| | | |
|---------------------------|--|-------------------------------|
| Declaration of Conformity | Test Certificates | Marine / Shipping |
| EG-Konf. | Type Test Certificates/Test Report | ABS LRS PRS RINA |
| Marine / Shipping | other | |



Further information

Information- and Downloadcenter (Catalogs, Brochures,...)

<https://www.siemens.com/ic10>

Industry Mall (Online ordering system)

<https://mall.industry.siemens.com/mall/en/en/Catalog/product?mlfb=3SU1900-0DY80-0AA0>

Cax online generator

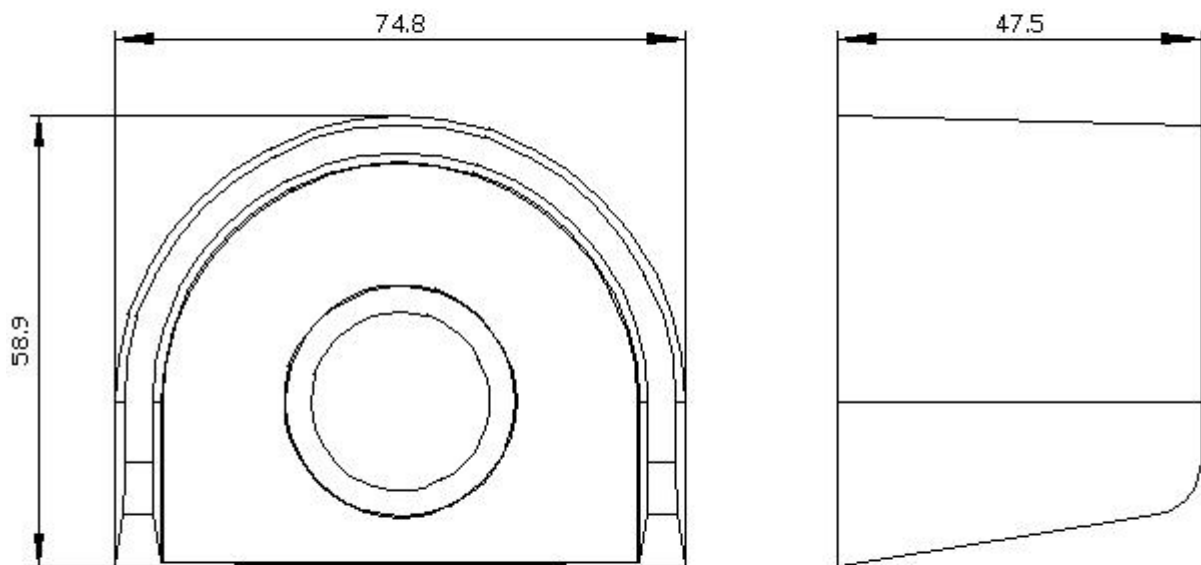
<http://support.automation.siemens.com/WW/CAXorder/default.aspx?lang=en&mlfb=3SU1900-0DY80-0AA0>

Service&Support (Manuals, Certificates, Characteristics, FAQs,...)

<https://support.industry.siemens.com/cs/ww/en/ps/3SU1900-0DY80-0AA0>

Image database (product images, 2D dimension drawings, 3D models, device circuit diagrams, EPLAN macros, ...)

http://www.automation.siemens.com/bilddb/cax_de.aspx?mlfb=3SU1900-0DY80-0AA0&lang=en



last modified:

9/9/2020