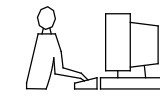


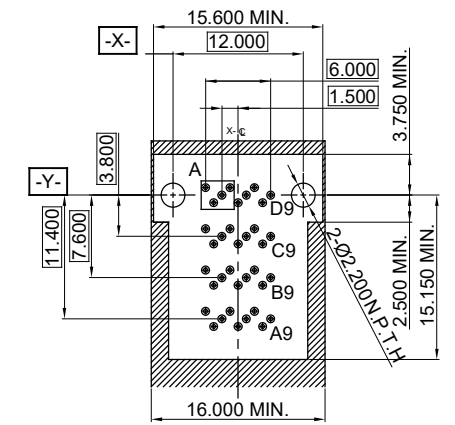
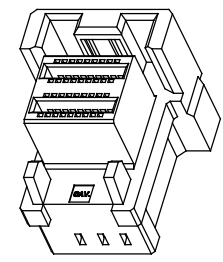
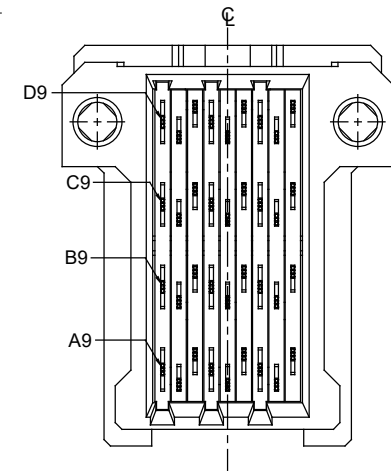
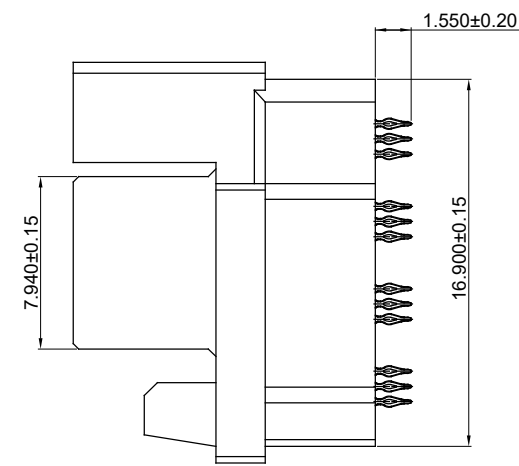
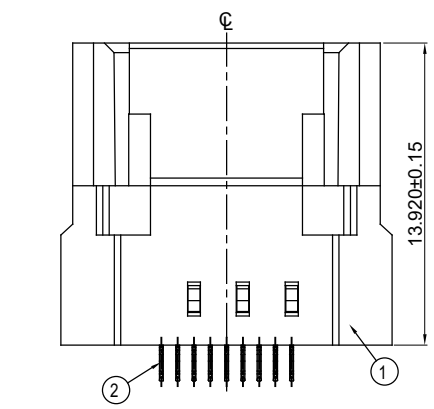
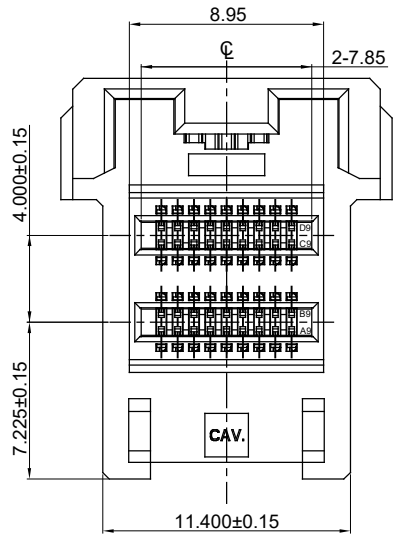
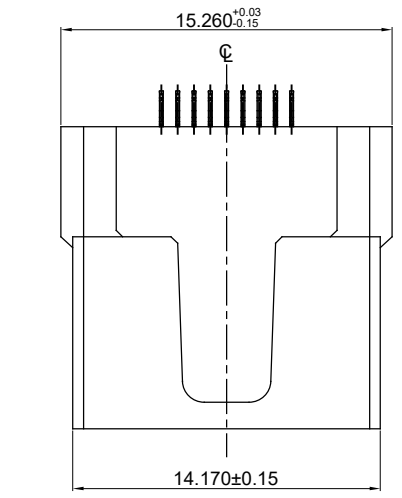
TOLERANCE UNLESS OTHERWISE SPECIFIED	
.X	±0.25
.XX	±0.15
.XXX	±0.10

THIS IS A C.A.D. GENERATED DRAWING  
DO NOT MAKE MANUAL REVISIONS TO MASTER.

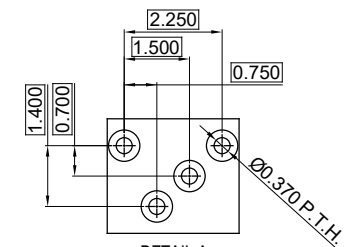


NOTES:

MATERIAL: L.C.P GLASS REINFORCED, UL-94V-0  
 HOUSING: L.C.P GLASS REINFORCED, UL-94V-0  
 INSERT MOLDING: L.C.P GLASS REINFORCED, UL-94V-0  
 CONTACT: COPPER ALLOY  
 30 μ" GOLD PLATING ON CONTACT AREA &  
 MATTE TIN PLATING 20~120μ" ON SOLDER  
 TAIL OVER NICKEL 50~150μ" UNDER PLATING



RECOMMENDED PCB LAYOUT



DETAIL A  
SCALE 8:1

NO.	DESCRIPTION	QTY.	MATERIAL	FINISH/COLOR
2	CONTACT	36	COPPER ALLOY	SEE NOTES
1	INSULATOR	1	L.C.P SERIES, UL94 V-0	BLACK

MINI SAS HD EXTERNAL, VERTICAL PRESS FIT,  
31 CONTACTS, FEMALE



THIS SERIES FULLY CONFORMS TO  
THE EUROPEAN UNION DIRECTIVES  
2011/65/EU FOR RoHS COMPLIANCY.



EDAC INC  
TORONTO, ONTARIO  
CANADA  
YOUR CONNECTION TO QUALITY & SERVICE

THESE DRAWINGS AND SPECIFICATIONS  
ARE THE PROPERTY OF EDAC INC., AND  
SHALL NOT BE REPRODUCED, OR COPIED  
OR USED AS THE BASIS FOR THE  
MANUFACTURE OR SALE OF APPARATUS  
WITHOUT WRITTEN PERMISSION.

ACAD REFERENCE NO.: 903-036-231-002	
DRAWN: W.T	DATE: JULY.03 /2018
CHECKED:	DATE:
SCALE: N.T.S	SHEET 1 OF 1
DRAWING NUMBER: 903-036-231-002	ISSUE
PART NUMBER: 903-036-231-002	1