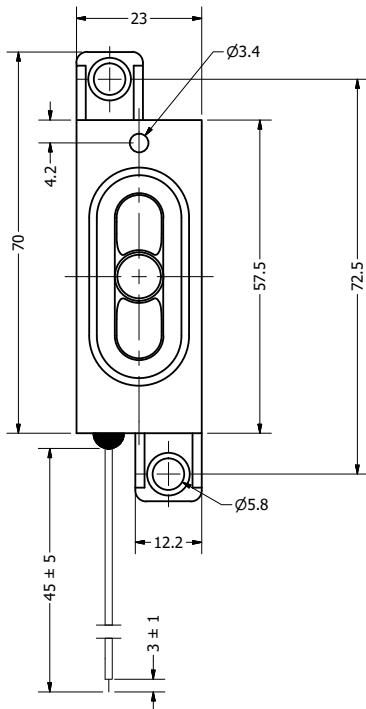
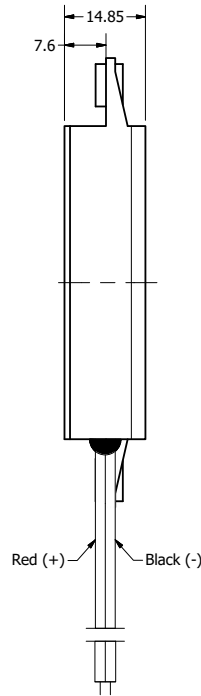


Part Number:	<b>SC570708-1</b>	
DESCRIPTION:	Dynamic Speaker	
DRAWN	CJ	4/15/2016
CHECKED	P.D.	4/18/2016
APPROVED	J.S.	4/18/2016
This document contains data proprietary to DB Unlimited. Any use or reproduction, in any form, without prior written permission of DB Unlimited is prohibited. All terms and conditions can be found at <a href="http://www.dbunlimitedco.com">www.dbunlimitedco.com</a>		

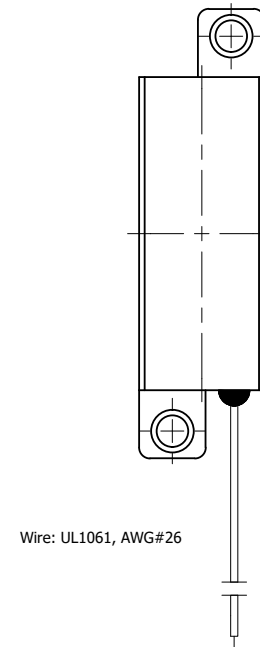
Top View



Side View



Bottom View



Wire: UL1061, AWG#26

Items	Specifications	Conditions
Sound Pressure Level	98	dB (@ 10cm)
Resonant Frequency	700	Hz
Frequency Range	700 ~ 20,000	Hz
Nominal Power	2	W
Max. Power	3	W
Impedance	8	Ω
Cone Material	Cloth	
Mount Type	Flange Mount	
Storage Temperature	-30 ~ +70	°C
Operating Temperature	-20 ~ +60	°C
Weight	13.7	g

REVISION HISTORY			
REV	DESCRIPTION	DATE	APPROVED
	Released from Engineering	12/11/2013	J.S.
1	Updated to new template	4/18/2016	J.S.
2	Updated to new template, frequency range, dimensions	1/3/2018	C.E.

NOTES			
1) All dimensions are in mm unless otherwise noted			
2) All tolerances are ± 0.5 mm unless otherwise noted			
3) All parts meet RoHS			
4) Subject to change or redrawn without notice			