

THIS DRAWING IS UNPUBLISHED.

RELEASED FOR PUBLICATION

© COPYRIGHT - By -

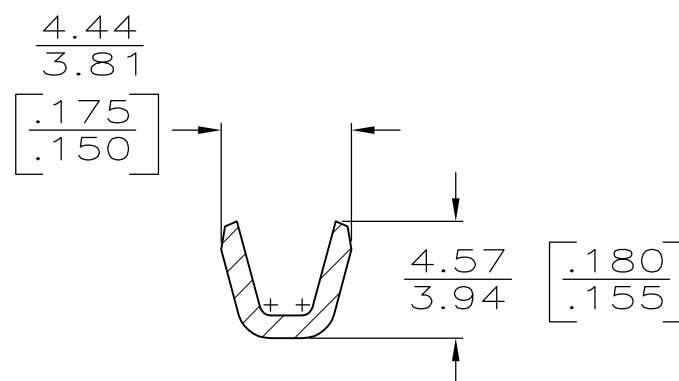
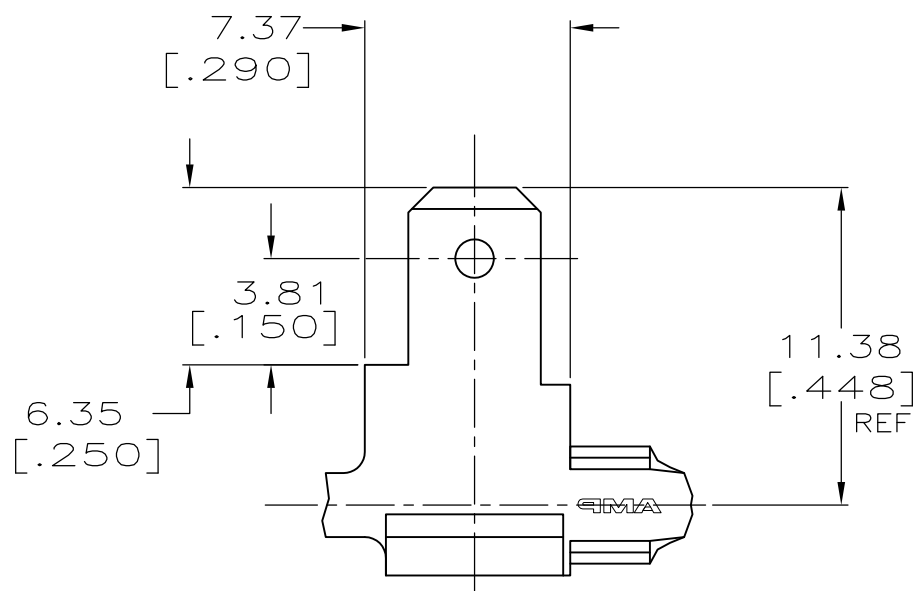
ALL RIGHTS RESERVED.

LOC AF DIST 50

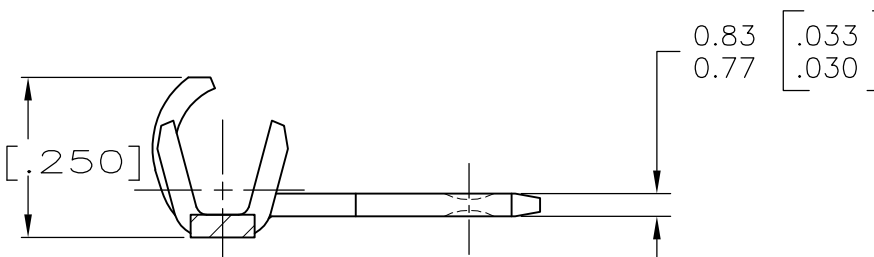
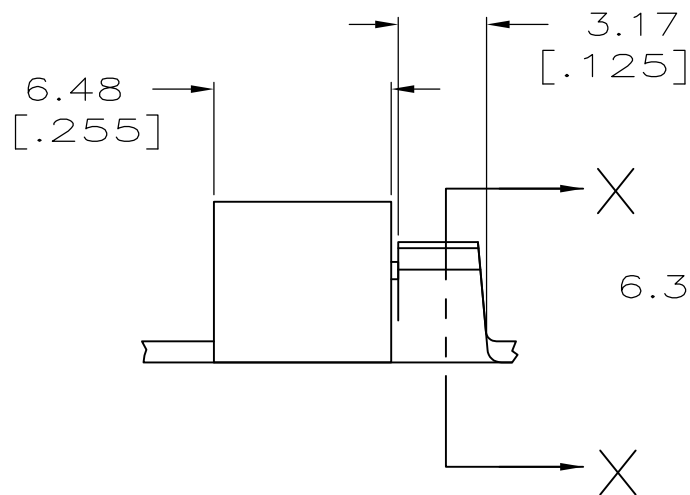
REVISIONS

P	LTR	DESCRIPTION	DATE	DWN	APVD
	E	REVISED PER ECR-13-011489	30NOV2013	KH	PD

- 1 CONTINUOUS STRIP ON REELS.
- 2 WIRE SIZE 0.8-2.0mm2 [18-14] AWG.
- 3 INSULATION RANGE 2.03-3.05 [.080-.120] DIA.
- △ 4 PRELIMINARY - NOT FOR PRODUCTION.



SECTION X-X



-----	△ 4 63652-2
TIN	63652-1
FINISH	PART NO.

THIS DRAWING IS A CONTROLLED DOCUMENT.		DWN JR RUTH 6/8/92	TE Connectivity NAME TAB, FASTON, FLAG, 4.75 [.187] SERIES						
DIMENSIONS: mm [INCHES]		CHK MS FEHER 6/8/92				SIZE	CAGE CODE	DRAWING NO	RESTRICTED TO
TOLERANCES UNLESS OTHERWISE SPECIFIED:		APVD C MEYERS 6/8/92				A3 00779		C-63652	
0 PLC ± - 1 PLC ± - 2 PLC ± - 3 PLC ± 0.25 [.010] 4 PLC ± - ANGLES ± -		PRODUCT SPEC -				CUSTOMER DRAWING		SCALE 6:1	SHEET 1 OF 1
MATERIAL BRASS		FINISH SEE TABLE	WEIGHT -		REV E				