

THIS DRAWING IS UNPUBLISHED. RELEASED FOR PUBLICATION
 © COPYRIGHT BY TYCO ELECTRONICS CORPORATION. ALL INTERNATIONAL RIGHTS RESERVED.

LOC	DIST	REVISIONS					
J	/	P	LTR	DESCRIPTION	DATE	DWN	APVD
		A	REVISED	ECR-10-007503	14MAY10	AY	HY

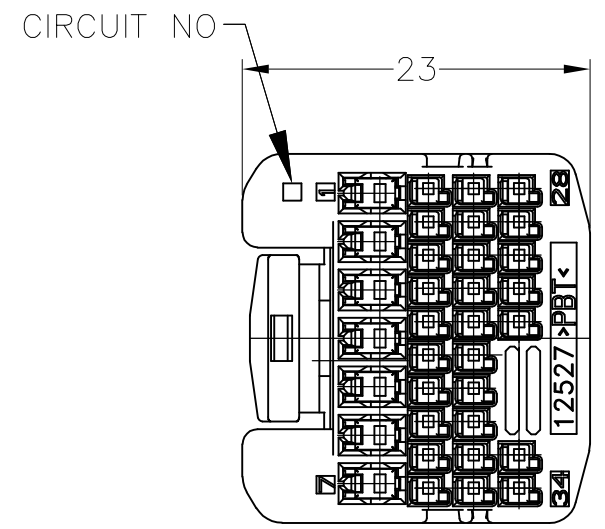
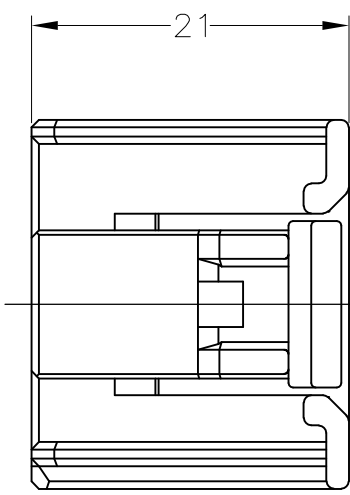
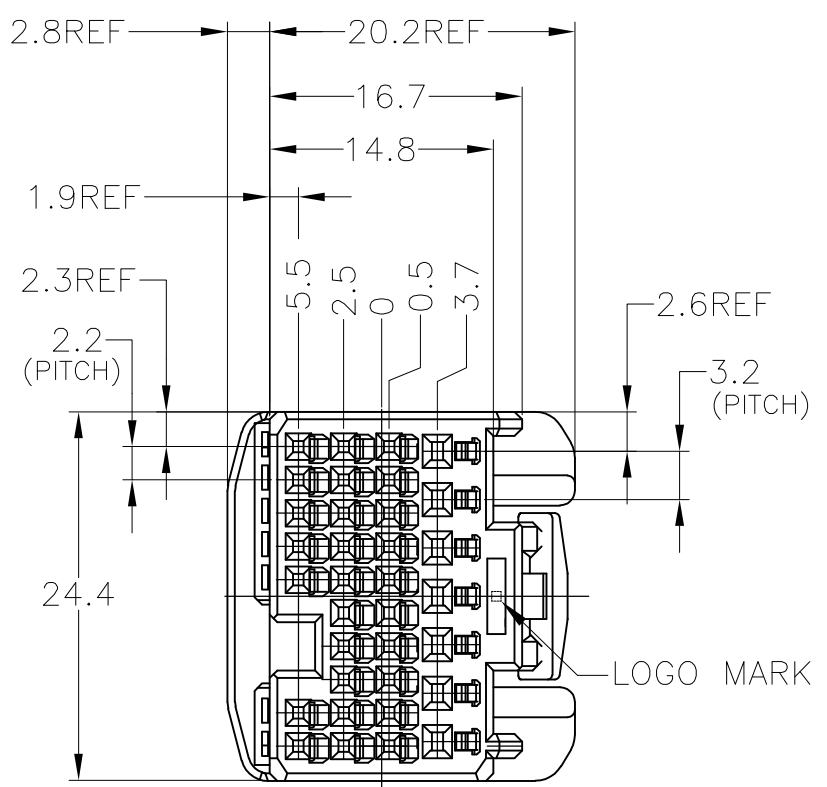
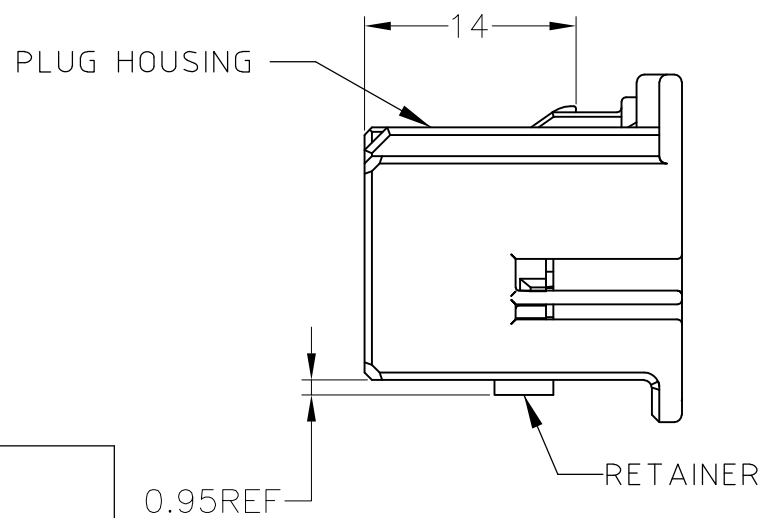


TABLE-1

POS 極数	CAP ASSEMBLY PART NO キャップ 型番
200	1473649
167	1318813
167 (STD)	1612435
135	1376430
70	1473193

TABLE-2

		TERMINAL NO 端子型番	APPLICABLE WIRE RANGE 適用電線
SIGNAL 0.64 III	TIN	1674311-1	AVSS/CAVS/CAVUS/AVSSH-f 0.3~0.5mm ²
	SELECTIVE GOLD	1674311-2	
POWER 1.0 III	SELECTIVE GOLD	316837-2	AVSS/CAVS/CAVUS 0.3~0.85mm ² AVS 0.3~0.5mm ²
	TIN	316836-1	
			316838-1



- 1.RETAINER SHOULD BE SENT TO THE PRE-ASSEMBLY POSITION WITHIN THE PLUG HOUSING WHEN SHIPPED TO THE CUSTOMER
- 2.INSTRUCTION SHEET NO.411-78080
- 3.PART NUMBER OF CAP HOUSING TO BE MATED; SEE TABLE-1
- 4.APPLIED TERMINALS; SEE TABLE-2

- 1.プラグハウジングにリテーナを仮係止して出荷される
- 2.取扱説明書NO.411-78080
- 3.嵌合相手型番; TABLE-1参照
- 4.適用端子; TABLE-2参照

PAPER BOX ダンボール	PLASTIC BAG ビニール袋	BLACK	1674925-2
PAPER BOX ダンボール	PLASTIC BAG ビニール袋	NATURAL	1674925-1
OUTER 外装	INNER 内装	COLOR	PART NUMBER
PACKING STYLE 梱包形態			

THIS DRAWING IS A CONTROLLED DOCUMENT.		DWN S.AMEMIYA	15OCT03	Tyco Electronics Corporation Kawasaki, Japan	
DIMENSIONS: 単位: 耗 mm		CHK H.YAMAGAMI	15OCT03	NAME 名称	
TOLERANCES UNLESS OTHERWISE SPECIFIED: 一般公差 ±0.3		APVD K.ASAI	15OCT03	0.64III/1.0III CONNECTOR PLUG HOUSING ASSY 34P	
θ-PLC ± 1-PLC ± 2-PLC ± 3-PLC ± 4-PLC ± ANGLES ±3°		PRODUCT SPEC 製品規格 108-5877	DRAWING NO 番号		
MATERIAL 材料 PBT		FINISH 仕上 SEE TABLE	APPLICATION SPEC 取付適用規格 114-5217,5329	SIZE A3	CAGE CODE 00779
		WEIGHT 5.5g	DRAWING NO 番号 G-1674925	RESTRICTED TO	
CUSTOMER DRAWING		SCALE 尺度 2:1	SHEET 1 OF 1	REV A	