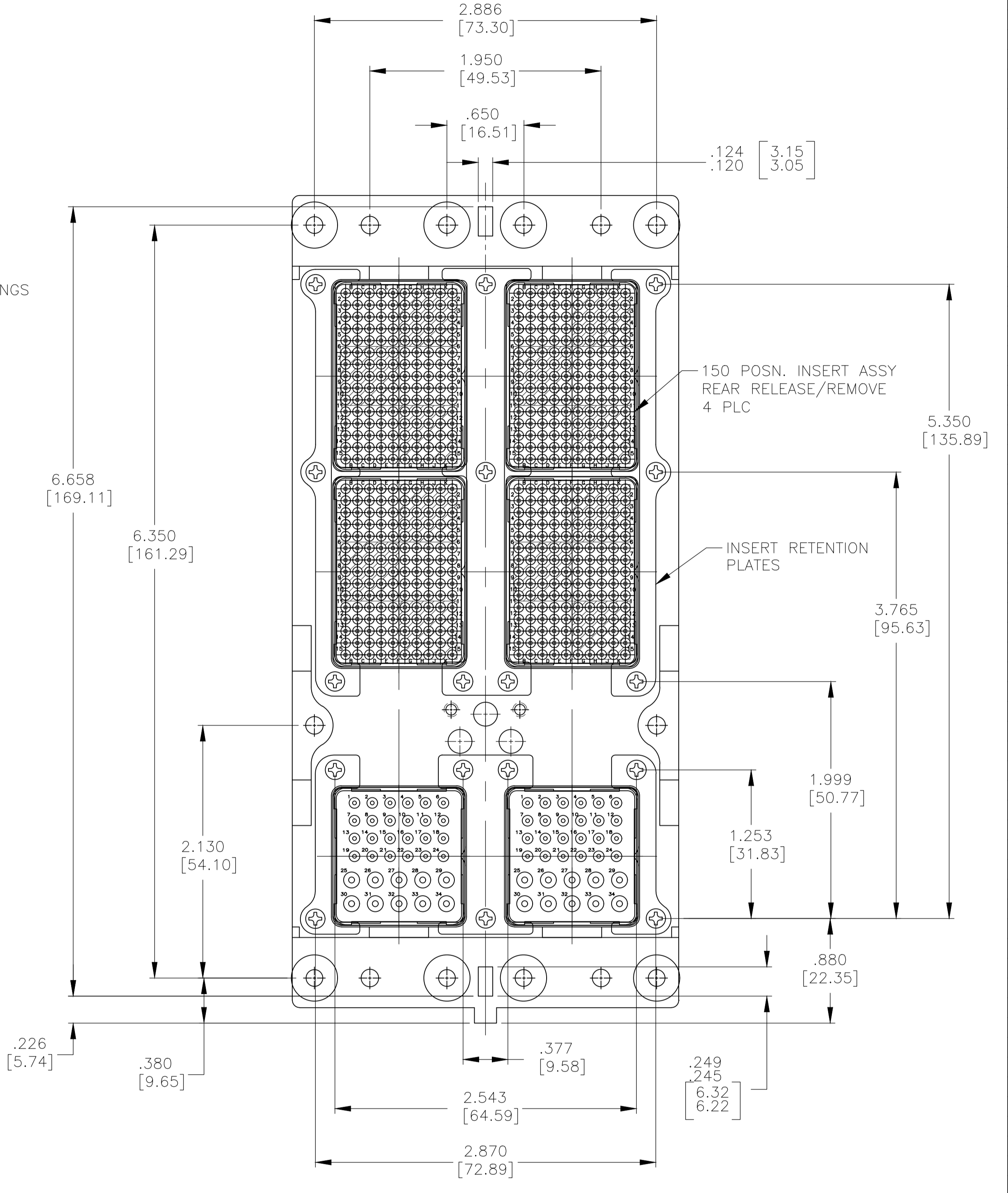
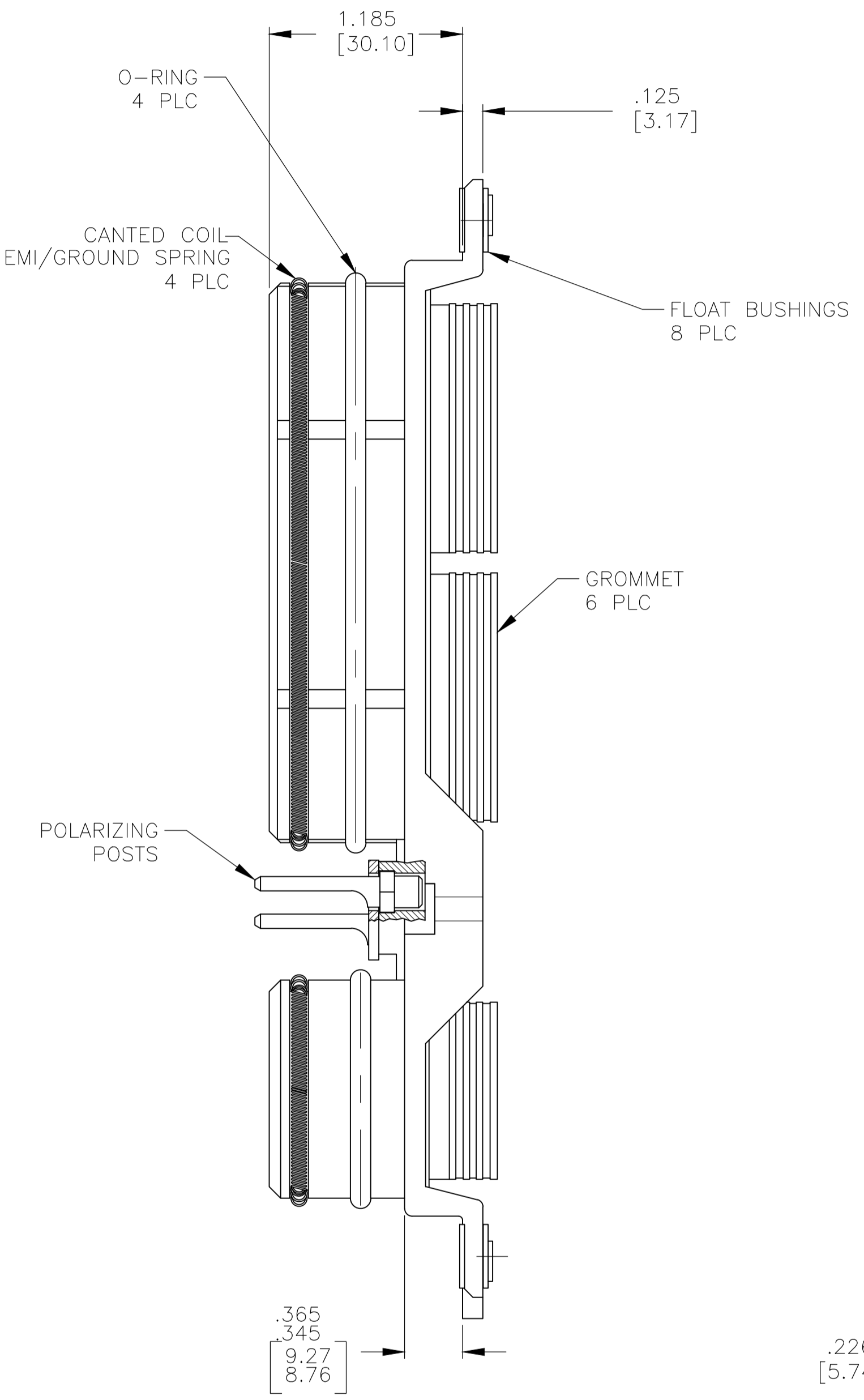
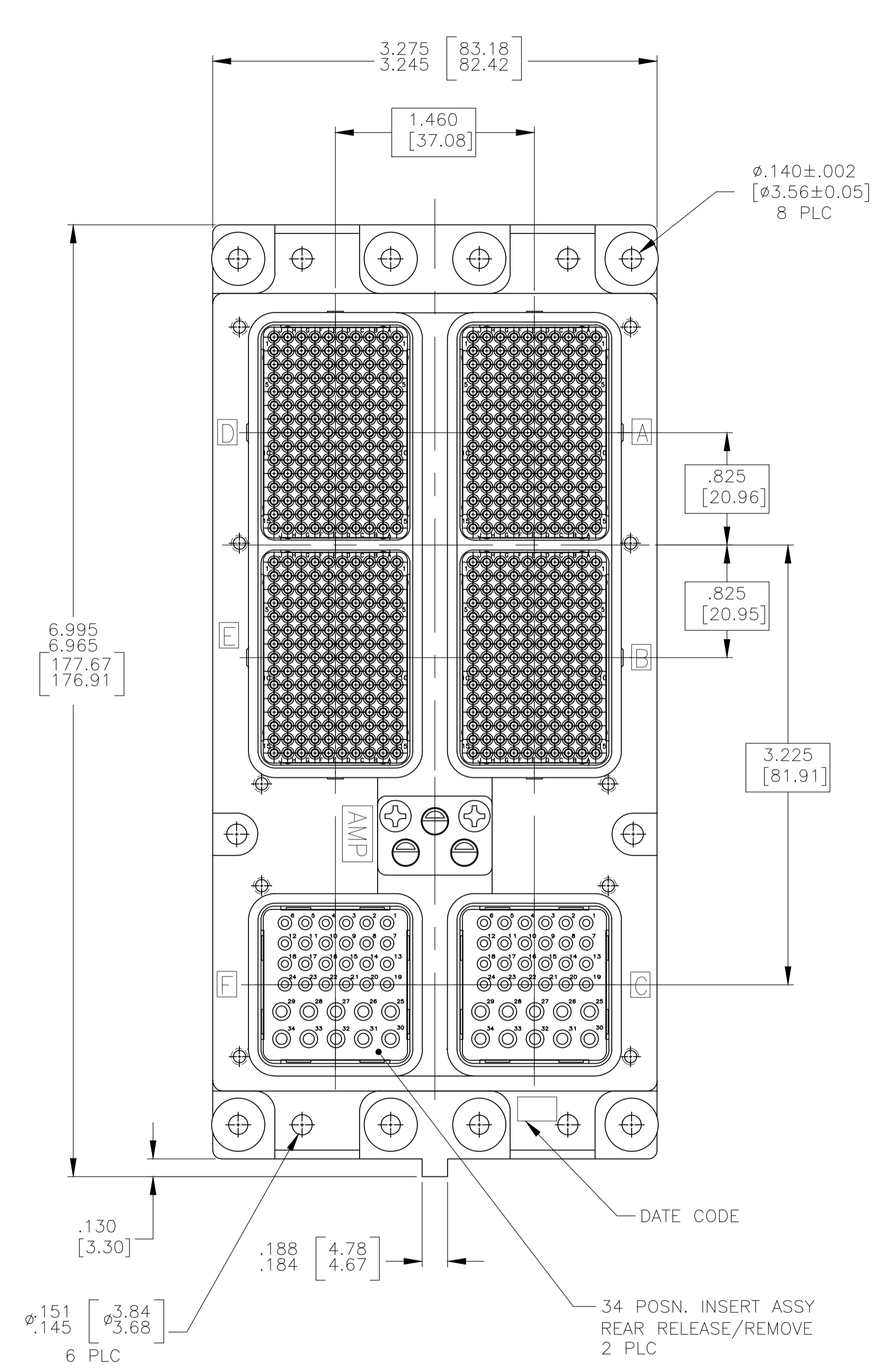


REVISIONS					
P	LTR	DESCRIPTION	DATE	DMN	APVD
C		REVISED PER ECO-17-015513	20DEC2017	PHM	CT

- CONNECTOR DIMENSIONS ARE PER ARINC 600 SPECIFICATION
- DUST COVER, QTY=2, (NOT SHOWN) INSTALLED FOR SHIPPING.
- KEYING SHOWN IN POSITION "01" FOR REFERENCE ONLY. SEE TABLE FOR KEYING POSITION. FOR POSITION "00" KEYING SHIPPED UNASSEMBLED.
- SEALANT APPLIED AROUND INSERTS.
- CONTACTS ARE PACKAGED IN A SEPARATE CONTAINER (1996465-2 ONLY.)



COMPONENT	MATERIAL	FINISH
SHELL	DIE CAST ALUMINUM PER ASTM-B-85	ELECTROLESS NICKEL PER MIL-C-26074, CLASS 4, GRADE B
INSERT RETENTION PLATES	ALUMINUM ALLOY PER ASTM-B-209	ELECTROLESS NICKEL PER MIL-C-26074, CLASS 4, GRADE B
SCREWS	STEEL OR STAINLESS STEEL	PASSIVATED
POLARIZING POSTS	ZINC ALLOY PER ASTM-B-86	ELECTROLESS NICKEL PER MIL-C-26074, CLASS 4, GRADE B
POLARIZING POST RETAINING PLATE	ALUMINUM ALLOY PER ASTM-B-209	BLUE ANODIZED PER MIL-A-8625
ALL INSERTS	THERMOSET	-
O-RING	FLUOROSILICONE	-
COIL SPRING	BERYLLIUM COPPER	NICKEL PLATED

01	MODULE A, B, D & E 208262-3 (SZ 22 CRIMP PIN CONTACT (QTY = 150 PER INSERT) MODULE C 208267-2 (SZ 20 CRIMP SKT CONTACT; QTY=24) 208270-2 (SZ 16 CRIMP SKT CONTACT; QTY=10) MODULE F 208267-2 (SZ 20 CRIMP SKT CONTACT; QTY=24) 208270-2 (SZ 16 CRIMP SKT CONTACT; QTY=10)	1996465-2
01	CONTACTS NOT INCLUDED	1996465-1
KEYING POSITION	CONTACTS INCLUDED AND NOT INSTALLED	PART NUMBER

THIS DRAWING IS A CONTROLLED DOCUMENT.

DIMENSIONS: INCHES	TOLERANCES UNLESS OTHERWISE SPECIFIED:	DIN C.C.THOMAS 10-18-07	APVD K.THACKSTON 10-18-07	NAME K.THACKSTON 10-18-07	PRODUCT SPEC
0 PLC ± -	1 PLC ± -	2 PLC ± -	3 PLC ± .005 (0.13)	4 PLC ± -	ANGLES ± -
MATERIAL SEE TABLE	FINISH SEE TABLE	WEIGHT	SIZE A1	CAGE CODE 00779	DRAWING NO. 1996465
CUSTOMER DRAWING			SCALE 1:1	SHEET 1 OF 1	REV C

STE TE Connectivity

PLUG ASSY, SIZE 3, ARINC 600 (150/150/34/150/150/34) WITH FLOAT BUSHINGS