

# Digital control kit

## KIT\_3KW\_2LLC\_DI\_CTRL

Di Domenico Francesco (IFAT PMM ACDC AE)  
Florian Zechner (IFAT PMM ACDC AE)



# Digital control kit KIT\_3KW\_2LLC\_DI\_CTRL for EVAL\_3KW\_2LLC\_xx boards



**Ordering code:  
KIT\_3KW\_2LLC\_DI\_CTRL**

This adapter kit is intended for use when replacing the former card by a 1:1 similar version, in case something happened to your original one. The kit offers Infineon's XMC4400 microcontroller ARM® Cortex®.

## Board components

- › XMC™ microcontroller (XMC4400-F64K512 AB)
- › Linear voltage regulator (IFX1763XEJ V33)
- › Silicon Schottky diode (BAS 52-02V)

## To be used with the following boards

- › EVAL\_3KW\_2LLC\_P6\_220
- › EVAL\_3KW\_2LLC\_P6\_247
- › EVAL\_3KW\_2LLC\_C7\_20
- › EVAL\_3KW\_2LLC\_C7\_47
- › EVAL\_3KW\_2LLC\_P7\_47
- › EVAL\_3KW\_2LLC\_CFD7



# Product features

## BAS 52-02V

- > Silicon Schottky diode
- > Medium current rectifier Schottky diode
- > Low forward voltage at 200 mA
- > High reverse voltage
- > Pb-free (RoHS compliant) package1)
- > Qualified according AEC Q101

## IFX1763XEJ V33

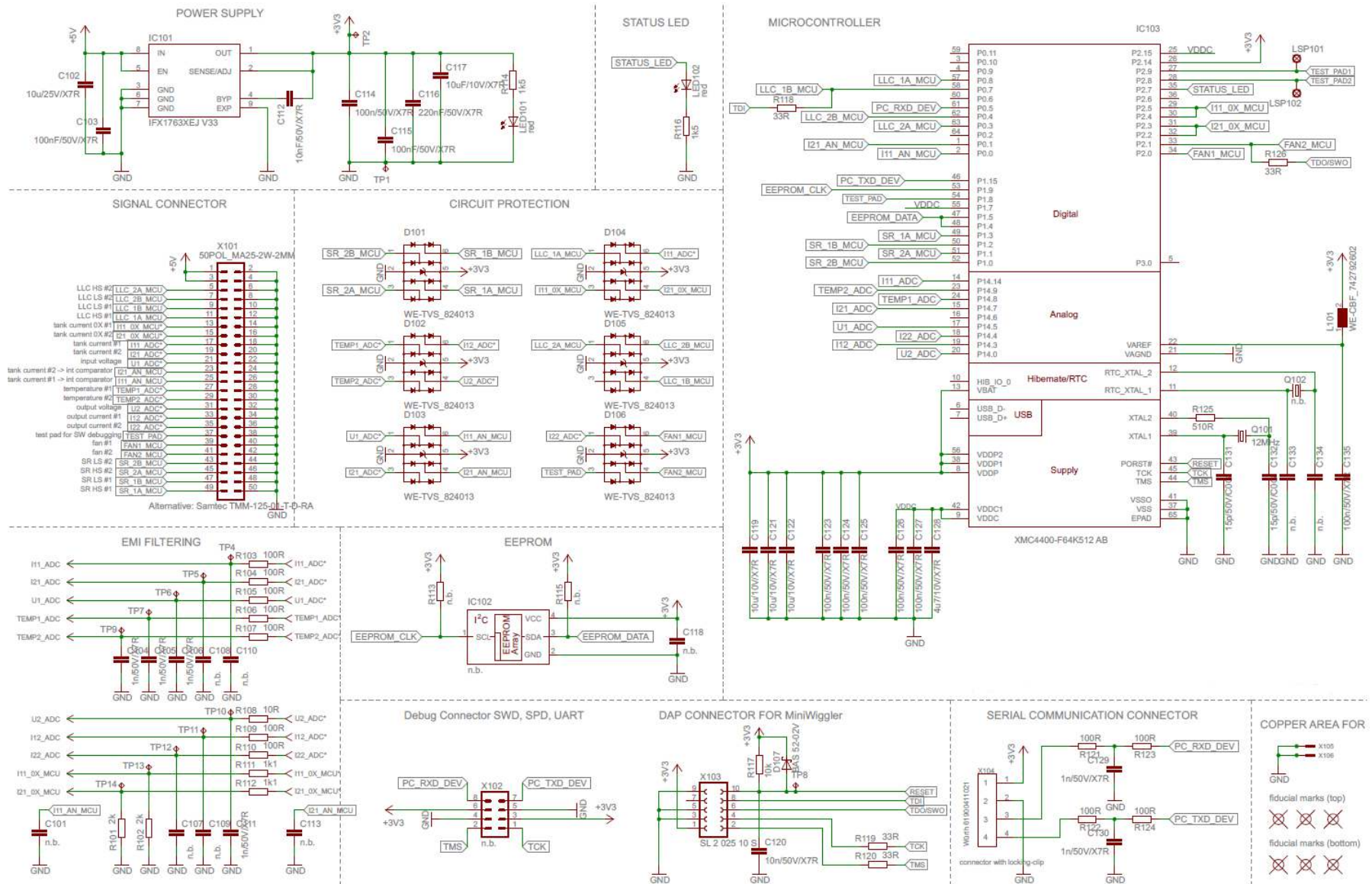
- > Low noise down to 30  $\mu$ VRMS (BW=10 Hz to 100 kHz)
- > Low quiescent current: 30  $\mu$ A
- > Very low Shutdown Current: <1  $\mu$ A
- > No Protection Diodes Needed
- > 500mA Current Capability

## XMC4400-F64K512 AB

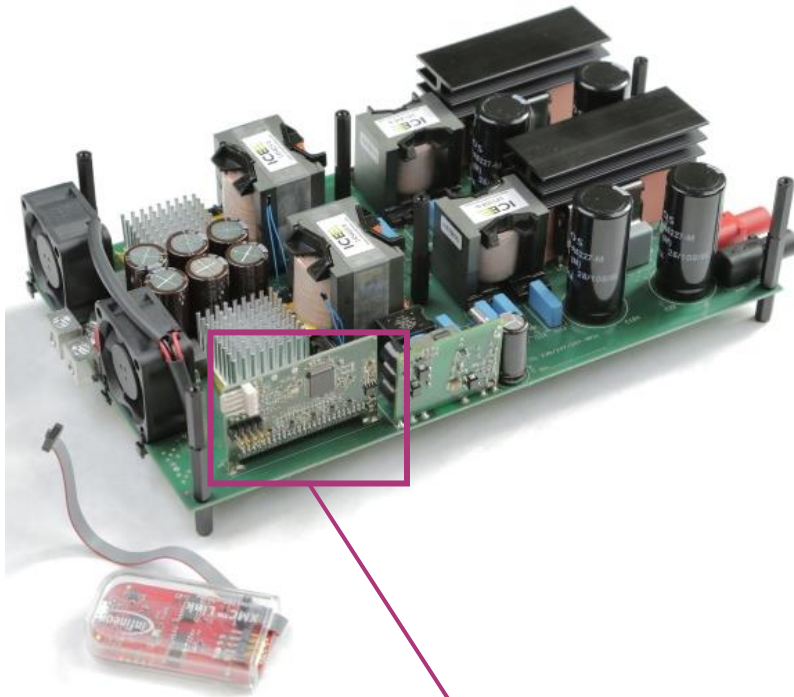
- > ARM<sup>®</sup> Cortex<sup>®</sup>-M4, 120 MHz, incl. single cycle DSP MAC and floating point unit (FPU)
- > 8-channel DMA + dedicated DMAs for USB and Ethernet
- > USB 2.0 full-speed on-the-go
- > CPU frequency: 120 MHz
- > eFlash: 256 kB including hardware ECC
- > 80 kB SRAM
- > Package: PG-LQFP-100



# Schematic



# Base board EVAL\_3KW\_2LLC\_xx with control card KIT\_3KW\_2LLC\_DI\_CTRL



**Digital control card:**  
KIT\_3KW\_2LLC\_DI\_CTRL

## Ordering code of the main board:

EVAL\_3KW\_2LLC\_C7  
EVAL\_3KW\_2LLC\_P7  
EVAL\_3KW\_2LLC\_CFD7

Infineon's **3KW 2LLC** boards showcase how to design a half-bridge LLC stage of a server SMPS with the target to meet 80+ Titanium standard efficiency requirements. The **KIT\_3KW\_2LLC\_DI\_CTRL** can be used with any of Infineon's EVAL\_3KW\_2LLC\_XX boards, replacing the original by that 1:1 card.

## Application note and general description:

- › [Evaluation board EVAL 3KW 2LLC C7](#)
- › [General description EVAL 3KW 2LLC](#)



## Technical Material

- > Application Notes
- > Simulation Models
- > Datasheets
- > PCB Design Data

- > Evaluation boards
  - [EVAL\\_3KW\\_2LLC\\_C7](#)
  - [EVAL\\_3KW\\_2LLC\\_P7](#)

## Evaluation Boards

- > Evaluation Boards
- > Demoboards
- > Reference Designs

- > [www.infineon.com/evaluationboards](http://www.infineon.com/evaluationboards)

## Videos

- > Technical Videos
- > Product Information Videos

- > [www.infineon.com/mediacenter](http://www.infineon.com/mediacenter)

# Support

## Online tools and services



- 1 **Subscribe to Newsletter**
- 2 **Where to Buy**
- 3 **Tools, Finders and Selectors**
- 4 **Support**

- **Products**
  - Applications
  - **Tools**
  - **Support**
  - Technology
- **Power**
  - Automotive System IC
  - ESD & EMI
  - Microcontroller
  - RF & Wireless Control
  - Security IC
  - Sensor
  - Smart Card IC
  - Interface
  - Transistor & Diode
- **Power Overview**
  - Power MOSFET
  - IGBT
  - Smart Low-Side & High-Side Switches
  - Linear Voltage Regulator
  - DC-DC Converter
  - LED Driver | Lighting ICs
  - Silicon Carbide (SiC)
  - High Power Thyristors & Diodes
  - Motor Control & Gate Driver
  - AC-DC Supply

News & Tweets



Part of your life. Part of tomorrow.

