

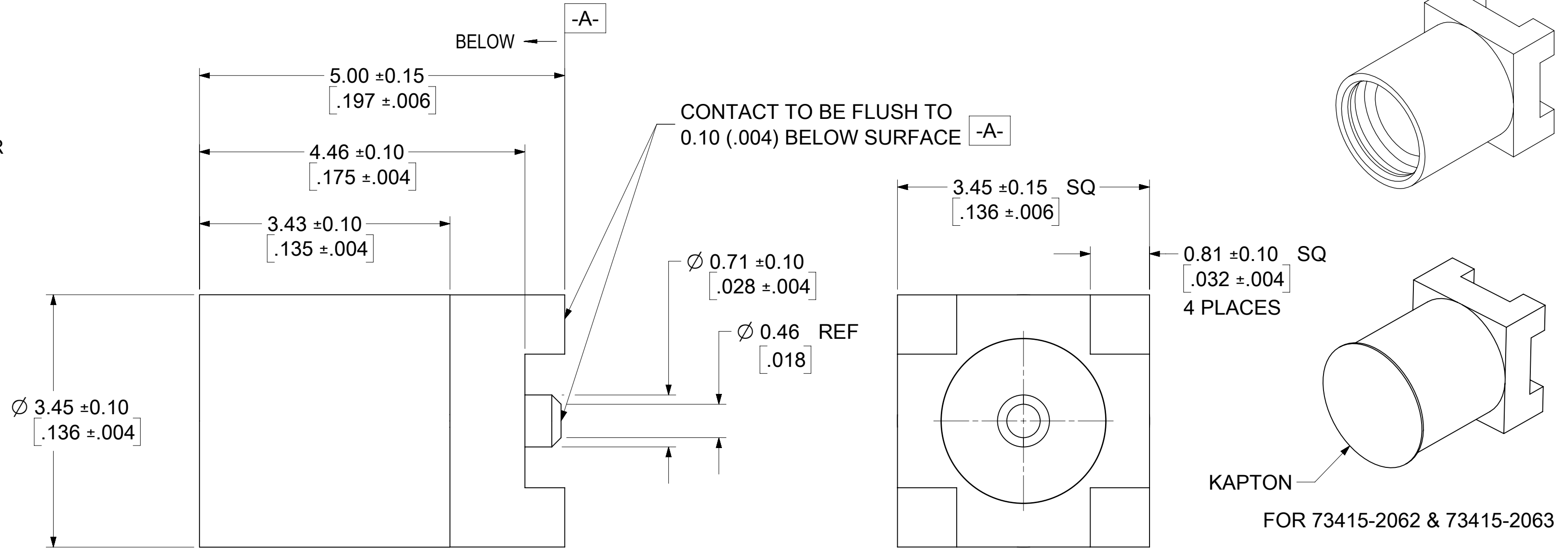
MATERIALS AND FINISHES

BODY BRASS
PLATED GOLD

CENTER CONTACT BERYLLIUM COPPER
PLATED GOLD

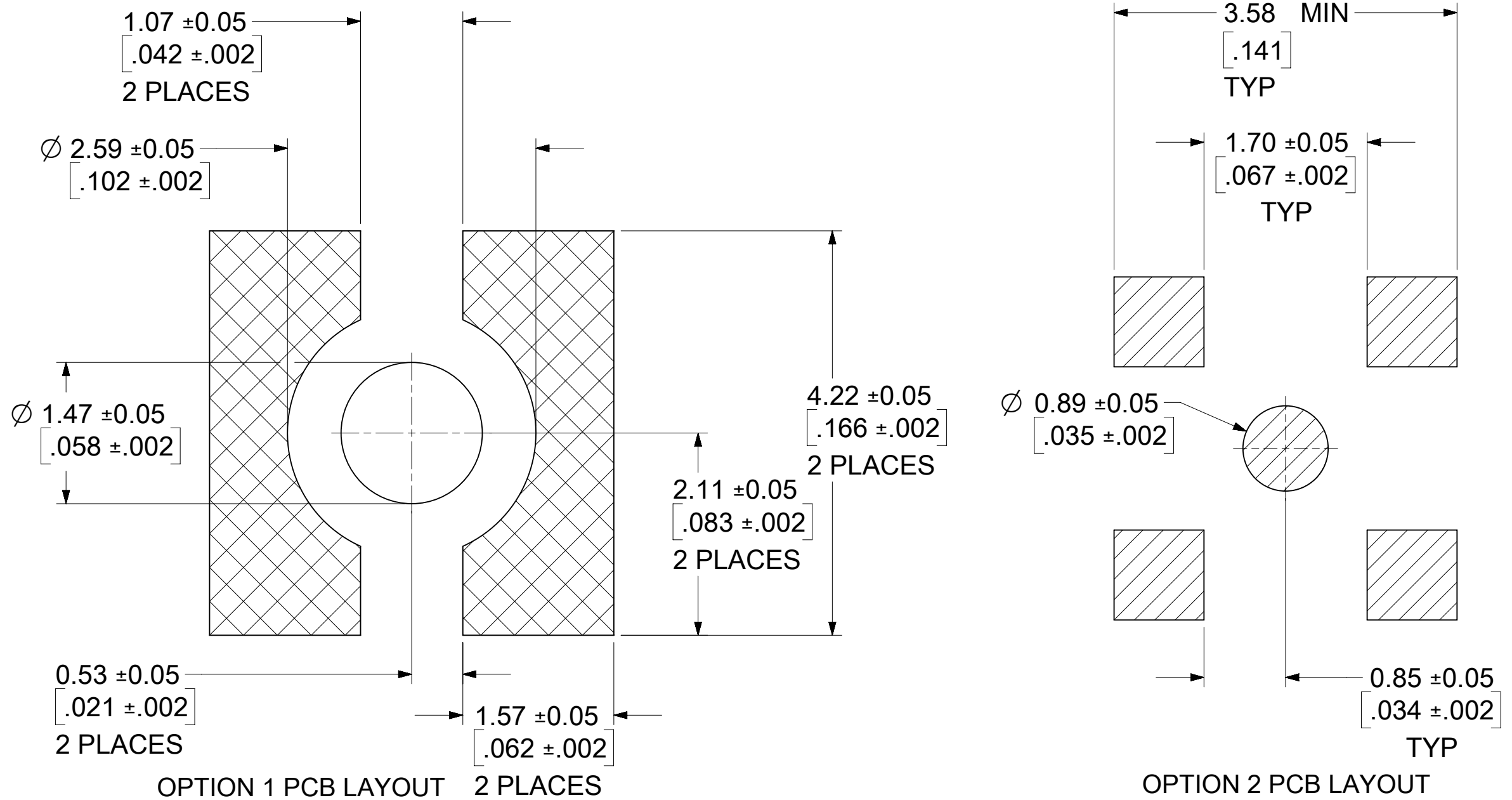
INSULATOR TEFLON

KAPTON
COLOR AMBER



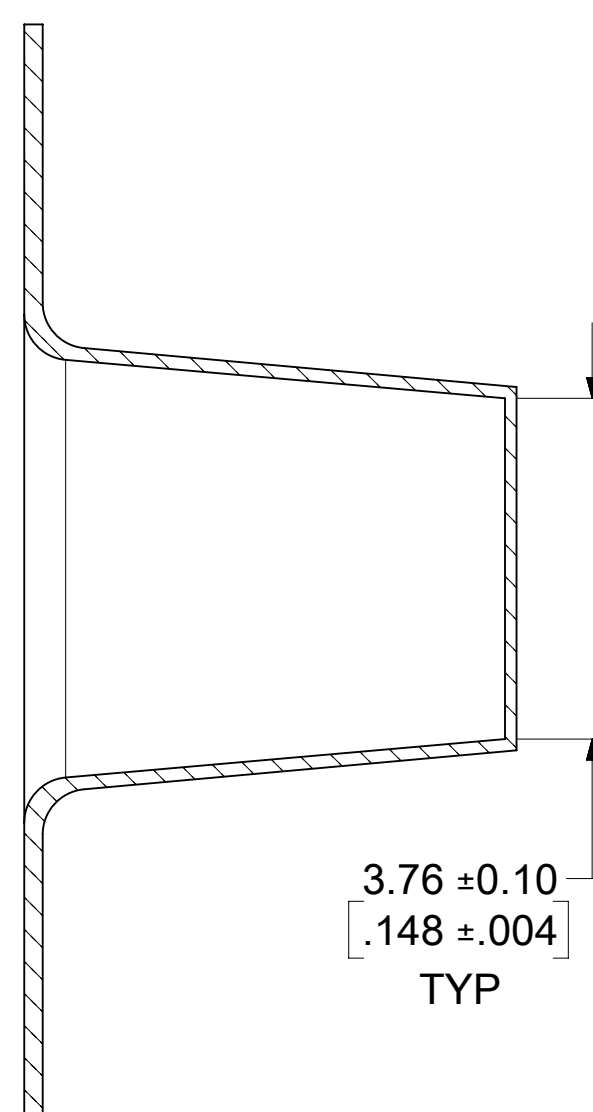
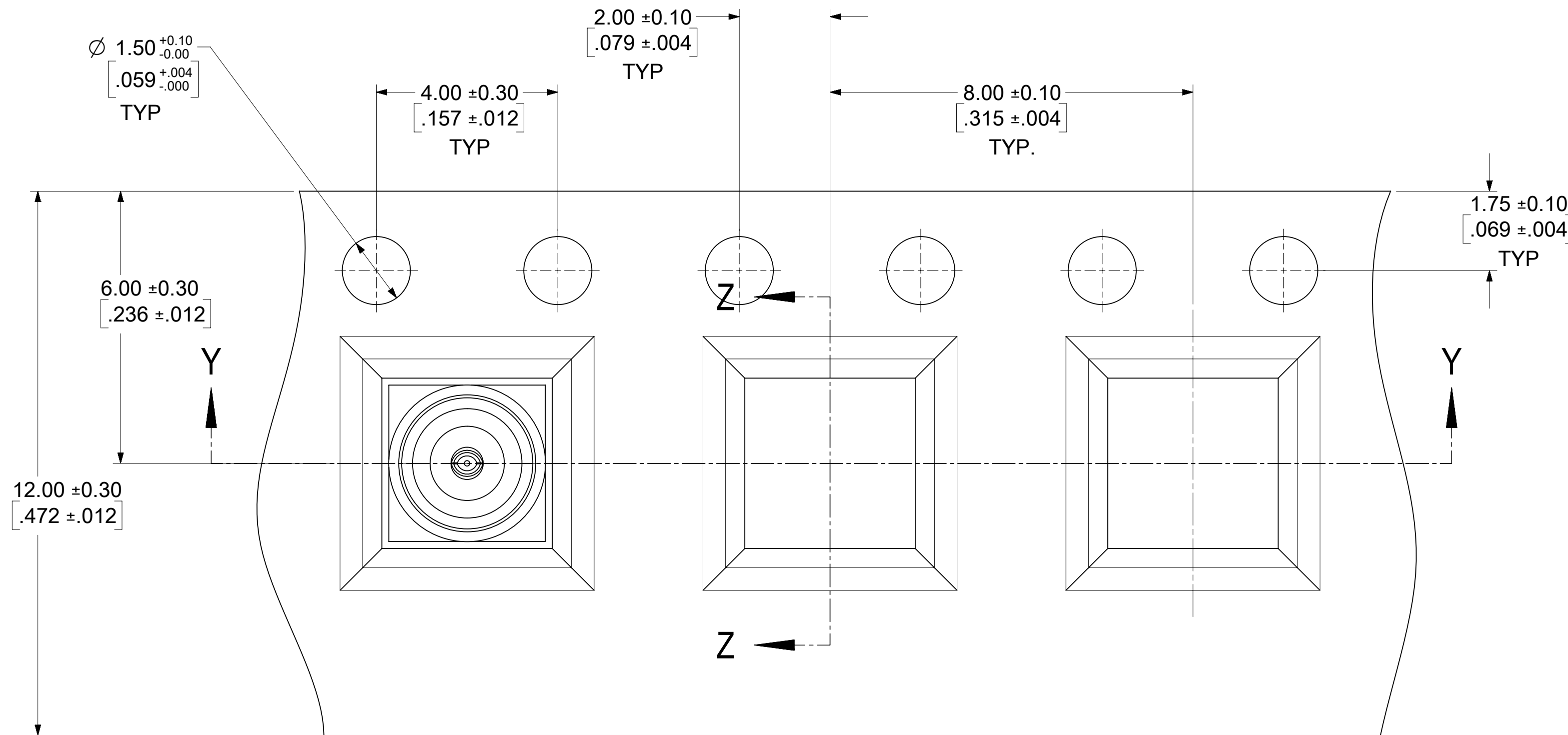
PS-89675-1920	ELECTRO/MECH PERFORM.
SPECIFICATION	DESCRIPTION

73415-2065	73415-2061 WITH TAPE & REEL WITHOUT KAPTON
73415-2064	73415-2061. ONE PER BAG
73415-2063	73415-2061 WITH TAPE & REEL/KAPTON
73415-2062	73415-2060 WITH TAPE & REEL/KAPTON
73415-2061	PER COMMERCIAL REQUIREMENTS, PACKING TRAY
73415-2060	PER MILITARY REQUIREMENTS, PACKING TRAY
PART NO.	PLATING

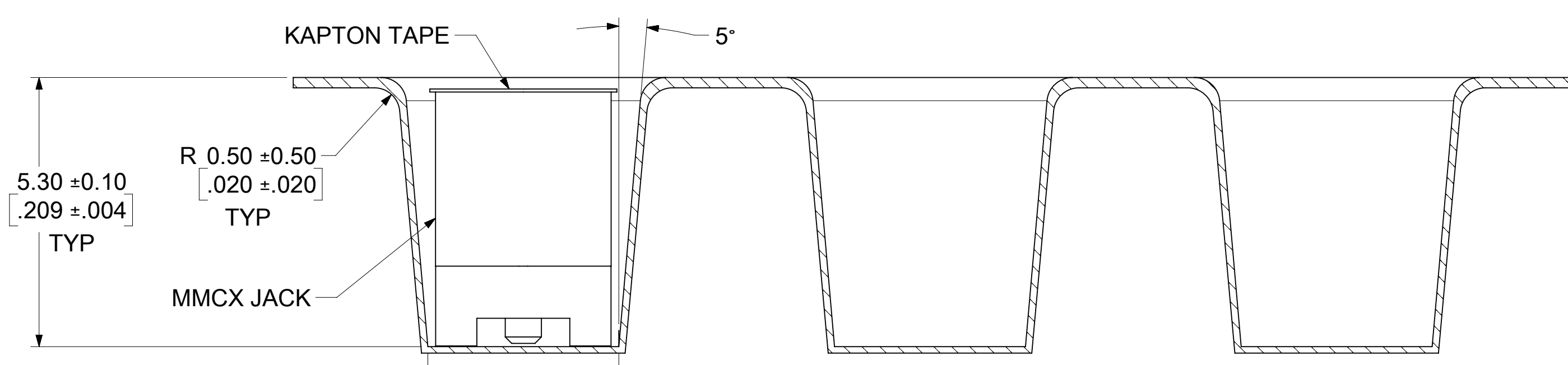


FUNCTIONAL SYMBOLS $\frac{E}{A} = 0$ $\frac{E}{C} = 0$ $\frac{E}{P} = 0$ DIVISIONAL SYMBOLS 4 PLACES ± 3 PLACES ± 2 PLACES ± 1 PLACE ± 0 PLACES ±	THIS DRAWING CONTAINS INFORMATION THAT IS PROPRIETARY TO MOLEX ELECTRONIC TECHNOLOGIES, LLC AND SHOULD NOT BE USED WITHOUT WRITTEN PERMISSION		CURRENT REV DESC: EWR # 15708-A : ADDED PACKAGING SPEC FOR -2060 & -2061 PART NO	
	MM/INCH	NTS	EC NO: 740907	
	GENERAL TOLERANCES (UNLESS SPECIFIED)		DRWN: JSU18	2023/03/02
	ANGULAR TOL ± 2.0°		CHK'D: YCHENG	2023/03/16
DRAFT WHERE APPLICABLE MUST REMAIN WITHIN DIMENSIONS		THIRD ANGLE PROJECTION	DRAWING	SERIES
			C-SIZE	73415
DOCUMENT STATUS		P1	RELEASE DATE	2023/03/16 04:28:02

molex			
MMCX JACK, VERTICAL PCB/SMT 50 OHMS MMCX-J/PCB			
PRODUCT CUSTOMER DRAWING			
DOCUMENT NUMBER	DOC TYPE	DOC PART	REVISION
SD-73415-206	PSD	001	B2
MATERIAL NUMBER	CUSTOMER	SHEET NUMBER	
	GENERAL MARKET	1 OF 5	



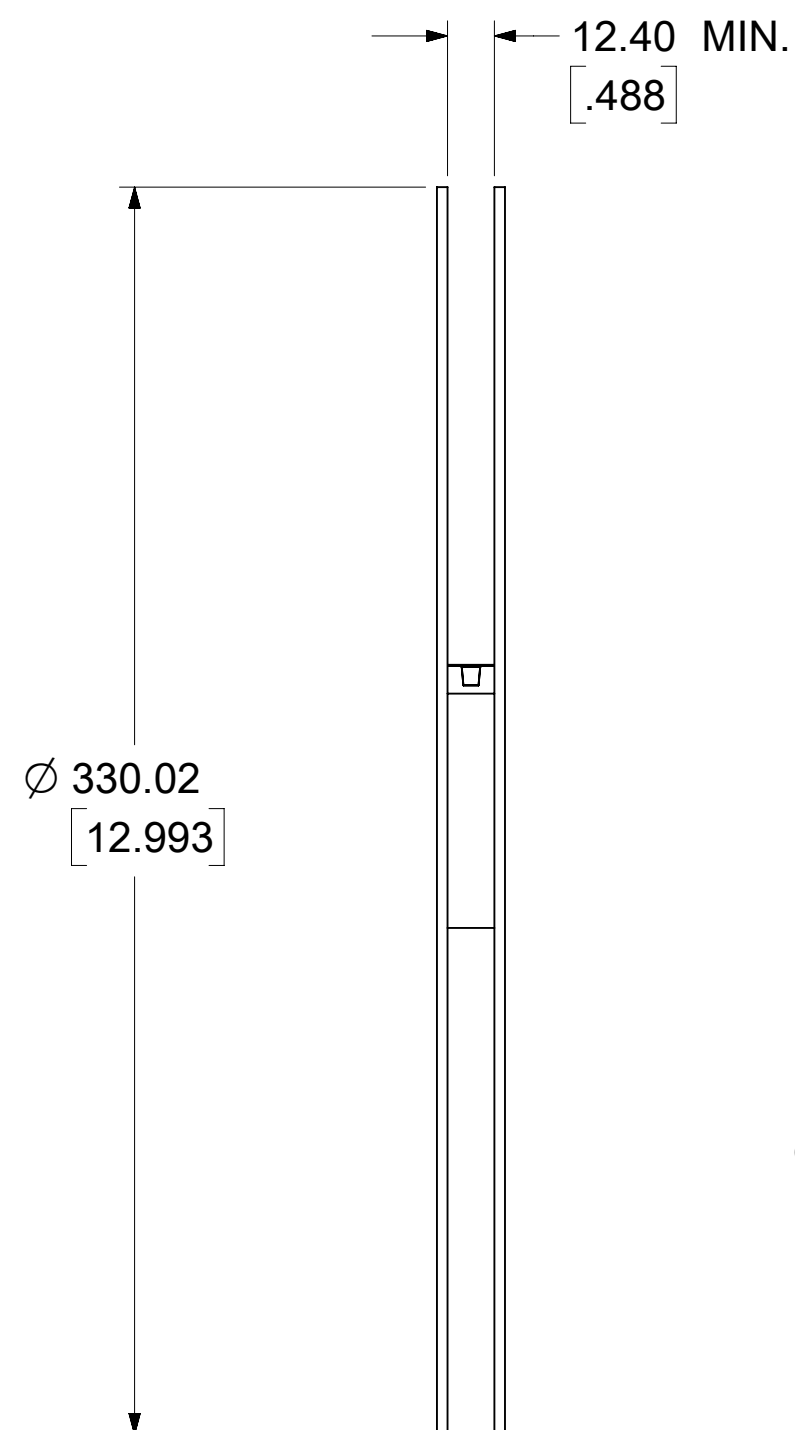
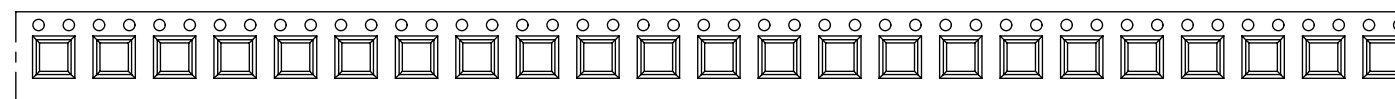
SECTION Z-Z



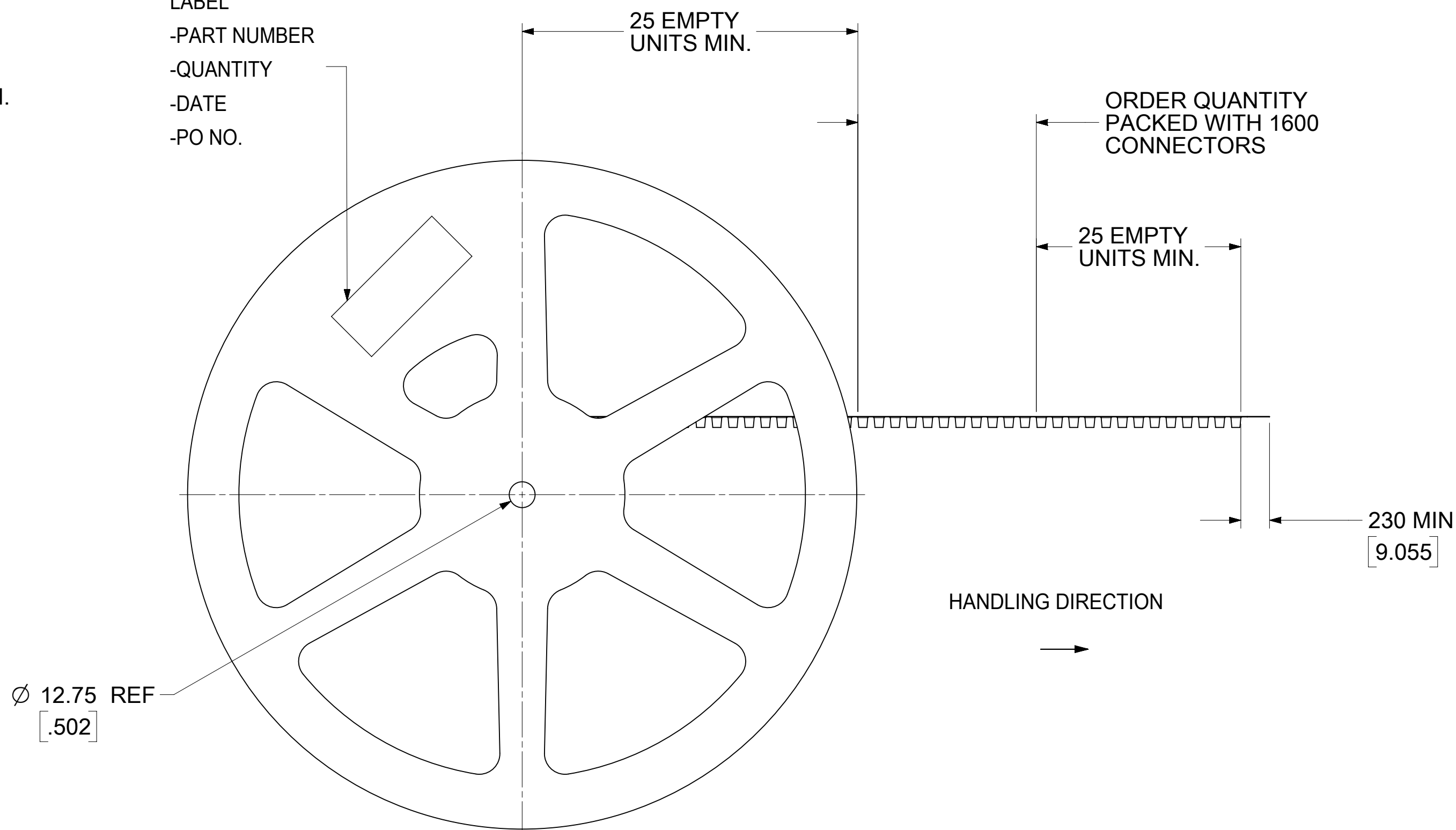
SECTION Y-Y

FUNCTIONAL SYMBOLS	THIS DRAWING CONTAINS INFORMATION THAT IS PROPRIETARY TO MOLEX ELECTRONIC TECHNOLOGIES, LLC AND SHOULD NOT BE USED WITHOUT WRITTEN PERMISSION									
	DIMENSION UNITS	SCALE	CURRENT REV DESC: EWR # 15708-A : ADDED PACKAGING SPEC FOR -2060 & -2061 PART NO							
$\frac{F}{A} = 0$	MM/INCH	NTS	GENERAL TOLERANCES (UNLESS SPECIFIED)							
$\frac{F}{C} = 0$										
$\frac{F}{P} = 0$	ANGULAR TOL ± 2.0°		EC NO: 740907 DRWN: JSU18 2023/03/02 CHK'D: YCHENG 2023/03/16 APPR: YCHENG 2023/03/16							
DIVISIONAL SYMBOLS										
4 PLACES ±			INITIAL REVISION: DRWN: TFLAHERTY 2006/02/09 APPR: JWIENER 2006/02/09							
3 PLACES ±										
2 PLACES ±			DOCUMENT NUMBER: SD-73415-206 DOC TYPE: PSD DOC PART: 001 REVISION: B2							
1 PLACE ±										
0 PLACES ±			MATERIAL NUMBER: GENERAL MARKET CUSTOMER: GENERAL MARKET SHEET NUMBER: 2 OF 5							
DRAFT WHERE APPLICABLE MUST REMAIN WITHIN DIMENSIONS										
THIRD ANGLE PROJECTION			DRAWING: C-SIZE		SERIES: 73415					

NOTE:
13" REEL SIZE FOR 1600 PIECES

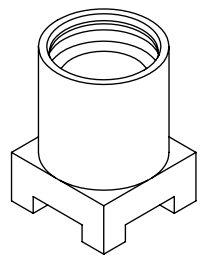


LABEL
-PART NUMBER
-QUANTITY
-DATE
-PO NO.

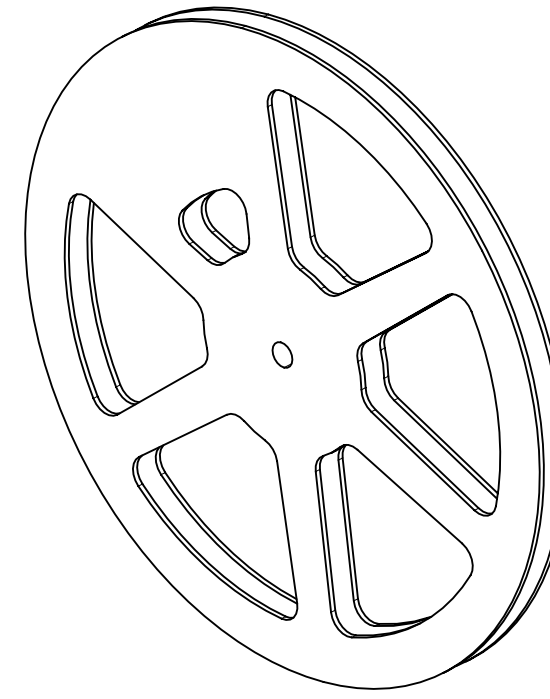
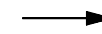
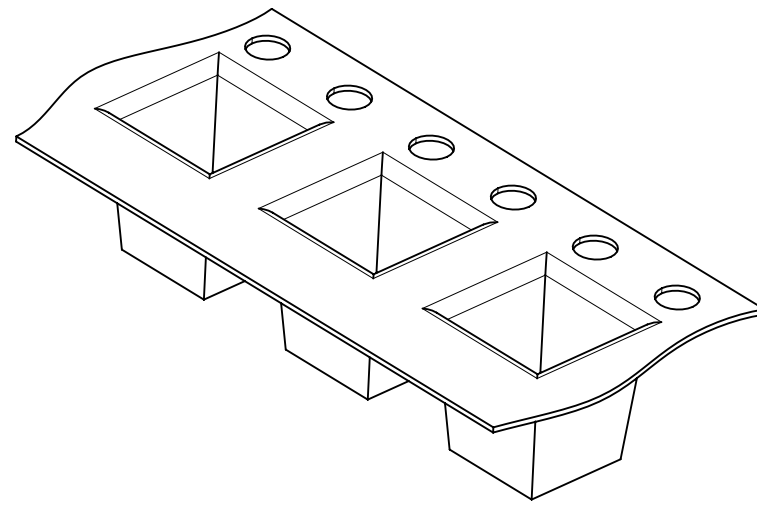
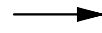


FUNCTIONAL SYMBOLS										THIS DRAWING CONTAINS INFORMATION THAT IS PROPRIETARY TO MOLEX ELECTRONIC TECHNOLOGIES, LLC AND SHOULD NOT BE USED WITHOUT WRITTEN PERMISSION									
DIMENSION UNITS					SCALE					CURRENT REV DESC: EWR # 15708-A : ADDED PACKAGING SPEC FOR -2060 & -2061 PART NO									
MM/INCH					NTS														
GENERAL TOLERANCES (UNLESS SPECIFIED)										EC NO: 740907									
ANGULAR TOL ± 2.0°										DRWN: JSU18					2023/03/02				
4 PLACES ±										CHK'D: YCHENG					2023/03/16				
3 PLACES ±										APPR: YCHENG					2023/03/16				
2 PLACES ±										INITIAL REVISION:					DOCUMENT NUMBER				
1 PLACE ±										DRWN: TFLAHERTY					SD-73415-206				
0 PLACES ±										APPR: JWIENER					PSD 001 B2				
DRAFT WHERE APPLICABLE MUST REMAIN WITHIN DIMENSIONS					THIRD ANGLE PROJECTION					DRAWING					SHEET NUMBER				
										C-SIZE					3 OF 5				
										SERIES					CUSTOMER				
										73415					GENERAL MARKET				

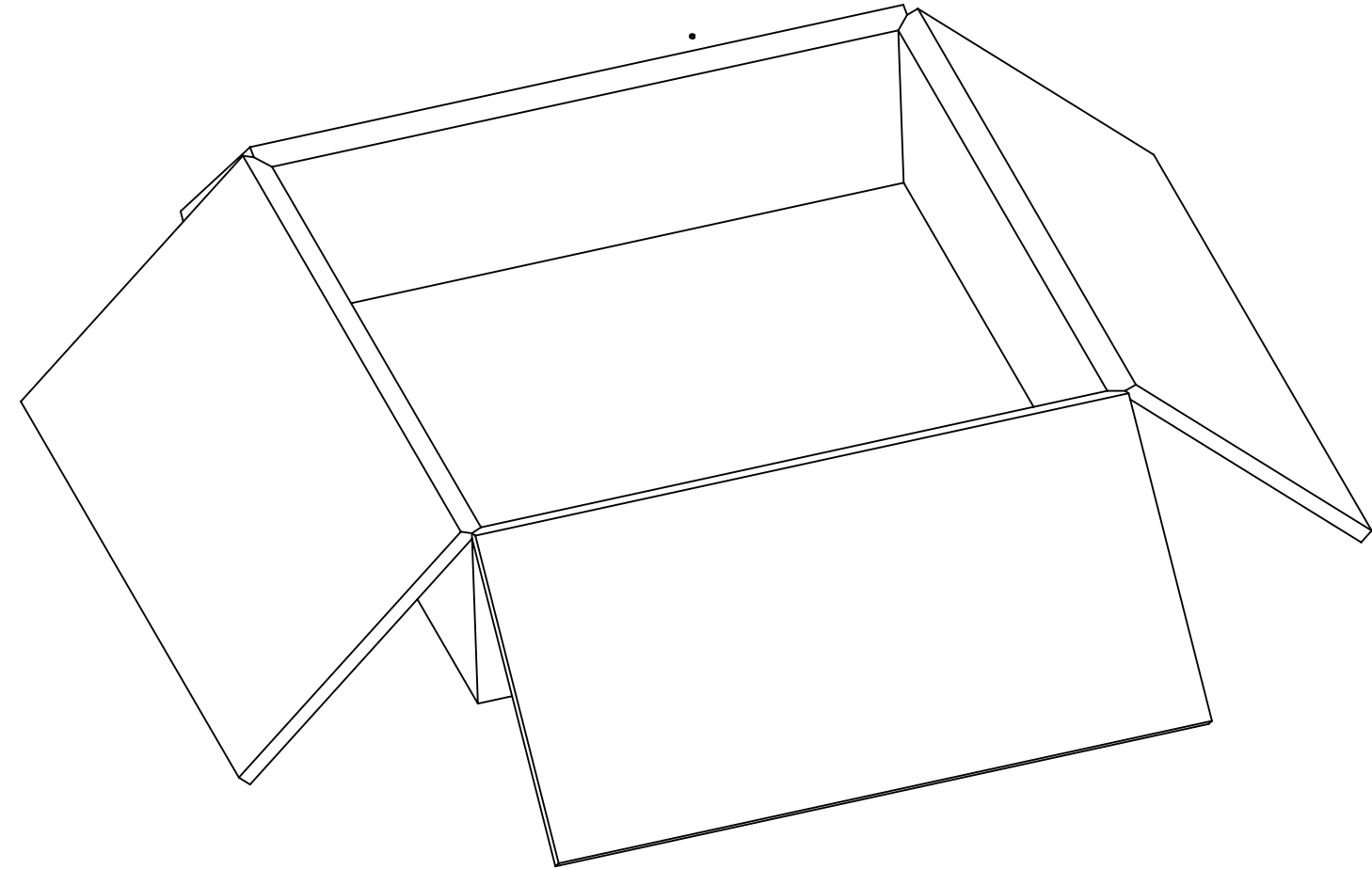
DOCUMENT STATUS	P1	RELEASE DATE	2023/03/16	04:28:02
-----------------	----	--------------	------------	----------



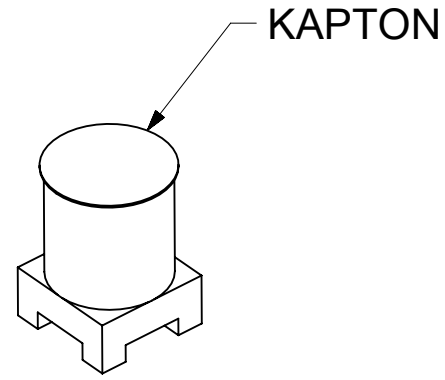
PART NO. 73415-2065



1600 SET PER 13" REEL



8000 CONNECTORS PER
OUTER CARTON BOX
339 X 339 X 100 REF.



PART NO 73415-2062
PART NO 73415-2063

FUNCTIONAL SYMBOLS	THIS DRAWING CONTAINS INFORMATION THAT IS PROPRIETARY TO MOLEX ELECTRONIC TECHNOLOGIES, LLC AND SHOULD NOT BE USED WITHOUT WRITTEN PERMISSION											
	DIMENSION UNITS	SCALE	CURRENT REV DESC: EWR # 15708-A : ADDED PACKAGING SPEC FOR -2060 & -2061 PART NO									
$\nabla_A = 0$	MM/INCH	NTS	<p>EC NO: 740907</p> <p>DRWN: JSU18 2023/03/02</p> <p>CHK'D: YCHENG 2023/03/16</p> <p>APPR: YCHENG 2023/03/16</p> <p>INITIAL REVISION:</p> <p>DRWN: TFLAHERTY 2006/02/09</p> <p>APPR: JWIENER 2006/02/09</p>									
$\nabla_C = 0$	GENERAL TOLERANCES (UNLESS SPECIFIED)											
$\nabla_P = 0$	ANGULAR TOL $\pm 2.0^\circ$											
DIVISIONAL SYMBOLS	4 PLACES	\pm	<p>PRODUCT CUSTOMER DRAWING</p> <p>DOCUMENT NUMBER: SD-73415-206</p> <p>DOC TYPE: PSD</p> <p>DOC PART: 001</p> <p>REVISION: B2</p> <p>MATERIAL NUMBER: GENERAL MARKET</p> <p>SHEET NUMBER: 4 OF 5</p>									
	3 PLACES	\pm										
	2 PLACES	\pm										
	1 PLACE	\pm										
	0 PLACES	\pm	DRAFT WHERE APPLICABLE MUST REMAIN WITHIN DIMENSIONS		THIRD ANGLE PROJECTION	DRAWING	SERIES	MATERIAL NUMBER			CUSTOMER	SHEET NUMBER
						C-SIZE	73415	GENERAL MARKET			4 OF 5	

molex

MMCX JACK, VERTICAL
PCB/SMT 50 OHMS MMCX-J/PCB

PRODUCT CUSTOMER DRAWING

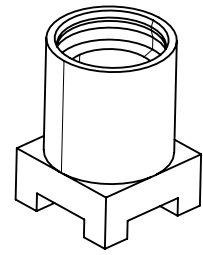
SD-73415-206

PSD 001 B2

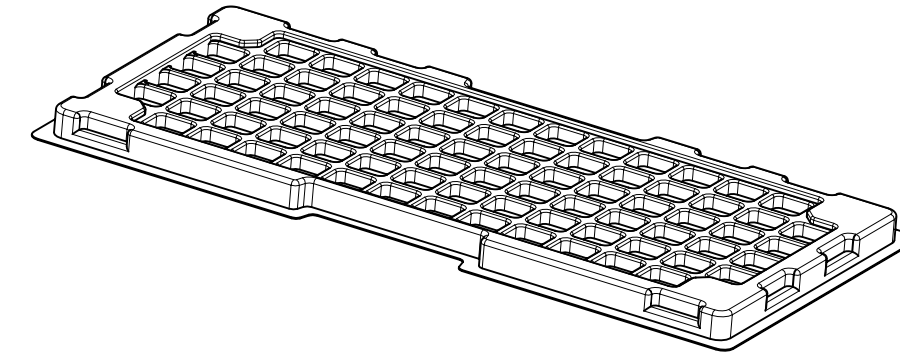
GENERAL MARKET

4 OF 5

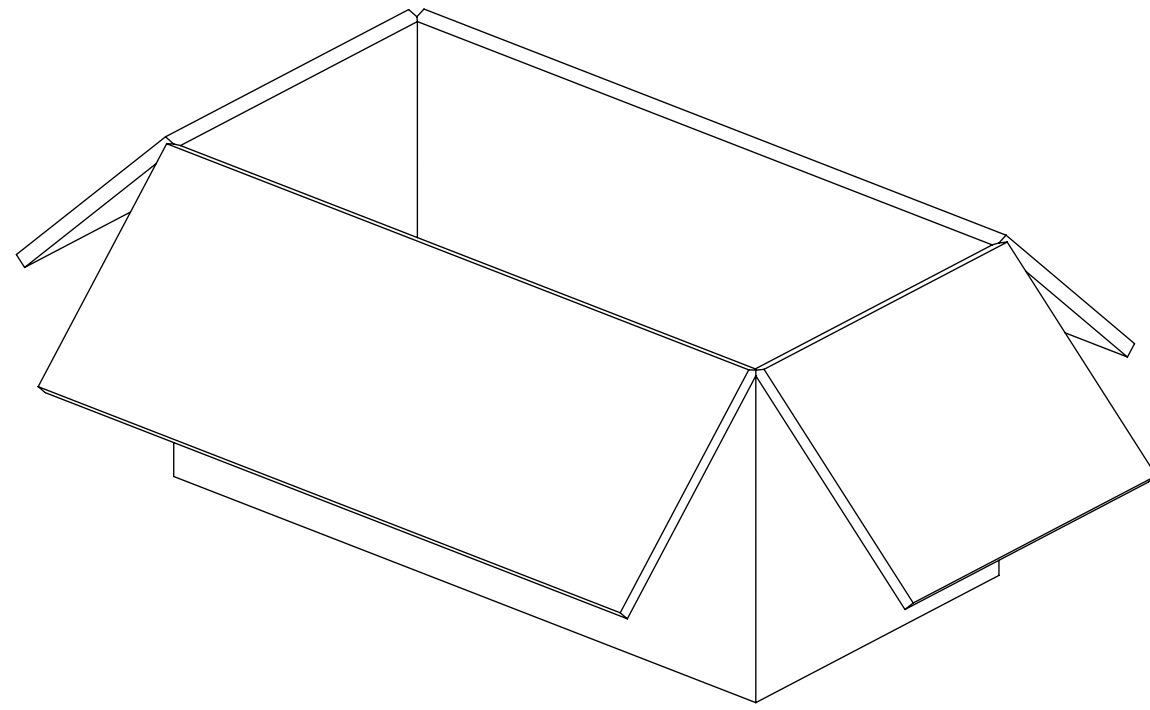
DOCUMENT STATUS P1 RELEASE DATE 2023/03/16 04:28:02



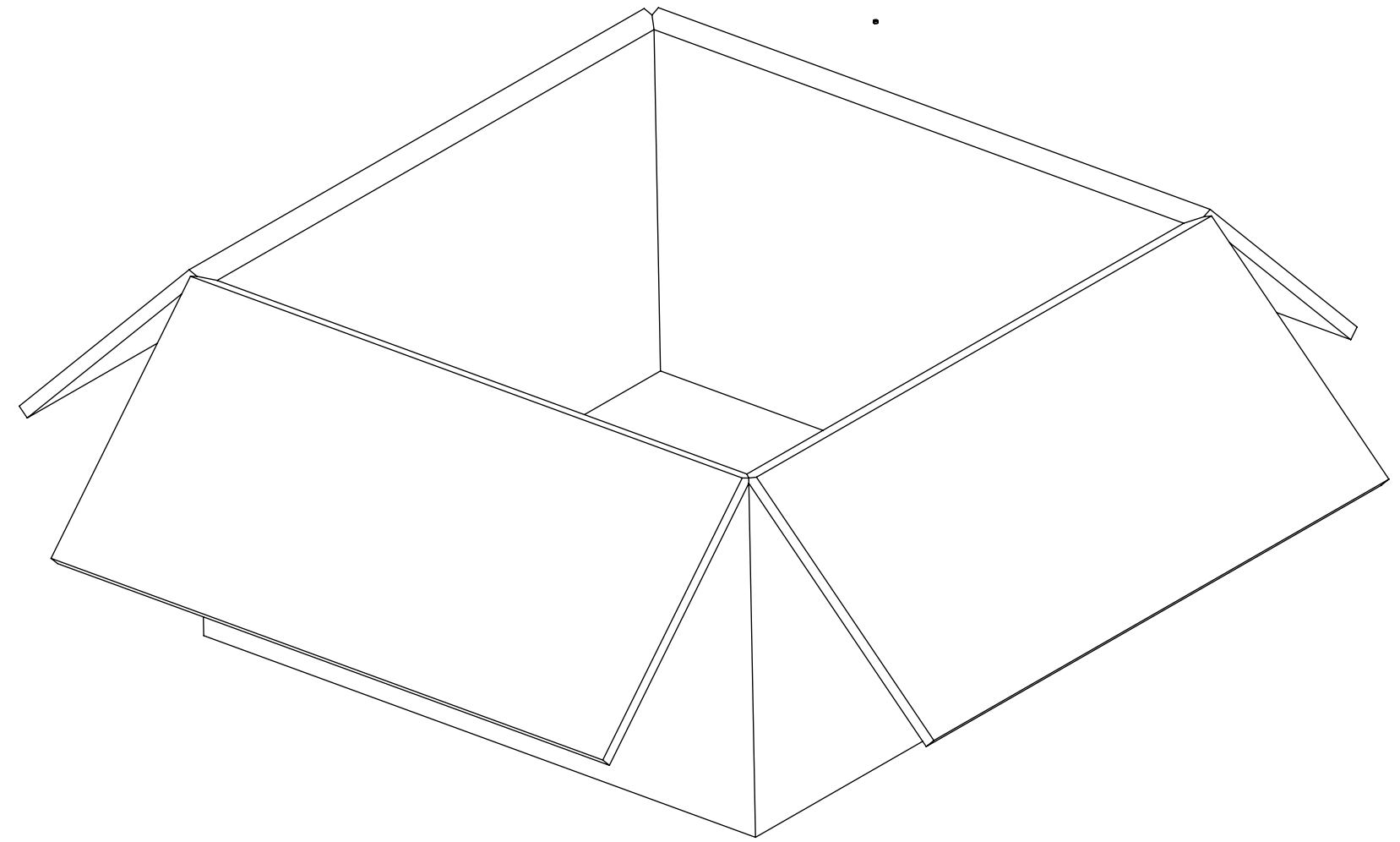
PART NO : 73415-2060
 PART NO : 73415-2061




80 SET PER TRAY
 P/N: 89707-0190



1600 SET PER INNER CARTON BOX
 P/N: 96707-0001



3200 SET PER OUTER CARTON BOX
 P/N: 96708-0005

FUNCTIONAL SYMBOLS										THIS DRAWING CONTAINS INFORMATION THAT IS PROPRIETARY TO MOLEX ELECTRONIC TECHNOLOGIES, LLC AND SHOULD NOT BE USED WITHOUT WRITTEN PERMISSION													
DIMENSION UNITS		SCALE		CURRENT REV DESC: EWR # 15708-A : ADDED PACKAGING SPEC FOR -2060 & -2061 PART NO						 MMCX JACK, VERTICAL PCB/SMT 50 OHMS MMCX-J/PCB													
MM/INCH		NTS																					
GENERAL TOLERANCES (UNLESS SPECIFIED)										EC NO: 740907													
ANGULAR TOL ± 2.0°										DRWN: JSU18 2023/03/02													
4 PLACES ±										CHK'D: YCHENG 2023/03/16													
3 PLACES ±										APPR: YCHENG 2023/03/16													
2 PLACES ±										INITIAL REVISION:													
1 PLACE ±										DRWN: TFLAHERTY 2006/02/09													
0 PLACES ±										APPR: JWIENER 2006/02/09													
DIVISIONAL SYMBOLS										PRODUCT CUSTOMER DRAWING													
DRAFT WHERE APPLICABLE MUST REMAIN WITHIN DIMENSIONS										DOCUMENT NUMBER		DOC TYPE		DOC PART		REVISION		MATERIAL NUMBER		CUSTOMER		SHEET NUMBER	
										SD-73415-206		PSD		001		B2		73415		GENERAL MARKET		5 OF 5	

DOCUMENT STATUS	P1	RELEASE DATE	2023/03/16	04:28:02
-----------------	----	--------------	------------	----------