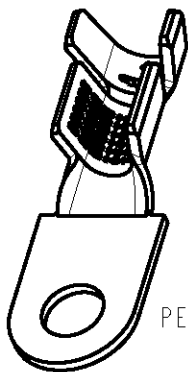
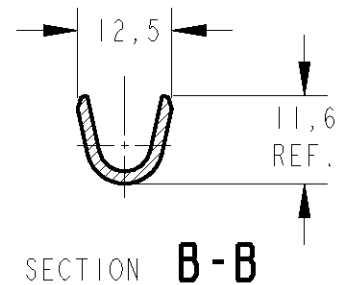
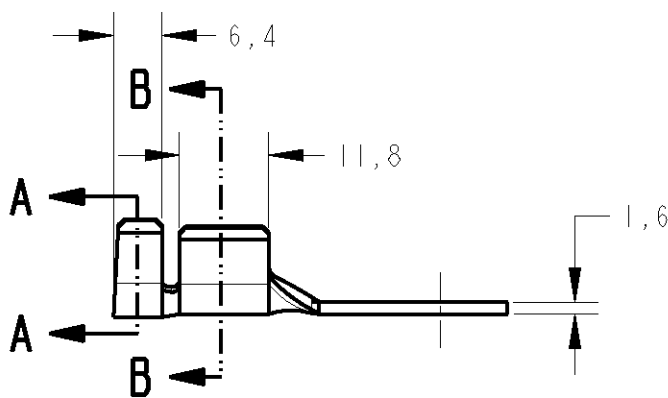
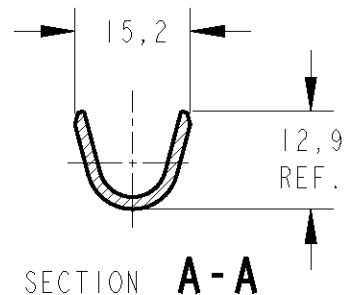
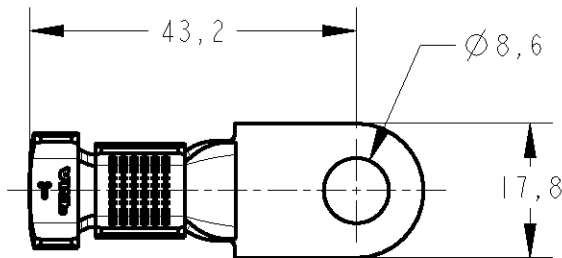


LOC	DIST	REVISIONS					
AP	- / -	P	LTR	DESCRIPTION	DATE	DWN	APVD
		0		RELEASED	16AG006	RKTL	PLF



PERSPECTIVE VIEW
SCALE 1:1

WIRE RANGE
16 - 20 mm ²

69EB 14452 AA	ESTANHADO / TIN PLATED	LATÃO / BRASS	880213-2
— / —	— / —		880213-1
FORD PN	FINISH	MATERIAL	PART NUMBER

THIS DRAWING IS UNPUBLISHED. RELEASED FOR PUBLICATION 20 BY TYCO ELECTRONICS CORPORATION. ALL RIGHTS RESERVED. COPYRIGHT 20

DIMENSIONS: mm	DWN A. PERUSSI 29MAY2006	MATERIAL	TABLE	FINISH	TABLE
	CHK P. L. FARIA 29MAY2006	Tyco Electronics Brazil Sao Paulo - Brasil			
TOLERANCES UNLESS OTHERWISE SPECIFIED:	APVD M. L. OGAWA 29MAY2006				
0 PLC ±-	PRODUCT SPEC	SIZE	CAGE CODE	DRAWING NO	RESTRICTED TO
1 PLC ±0,3	-	A 4	00779	©=880213	- / -
2 PLC ±-	APPLICATION SPEC	CUSTOMER DRAWING			
3 PLC ±-	-	SCALE	:	SHEET	OF
4 PLC ±-	WEIGHT - / -				REV 0
ANGLES ±1					