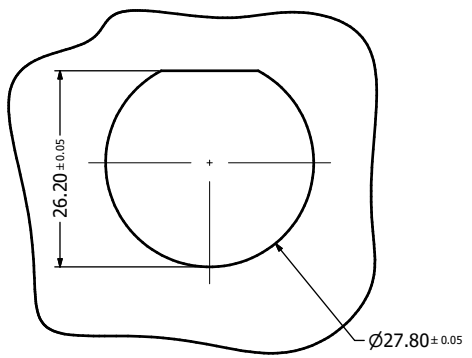
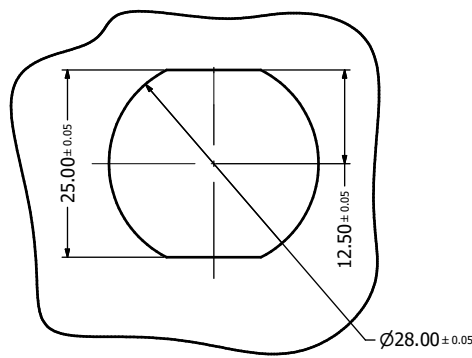


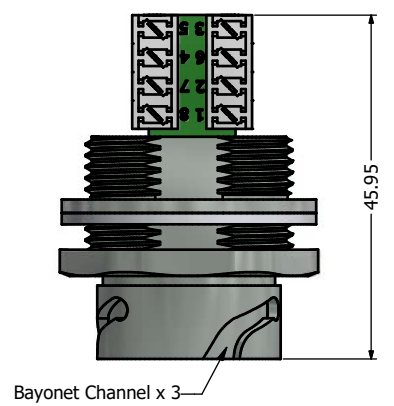
6 5 4 3 2 1



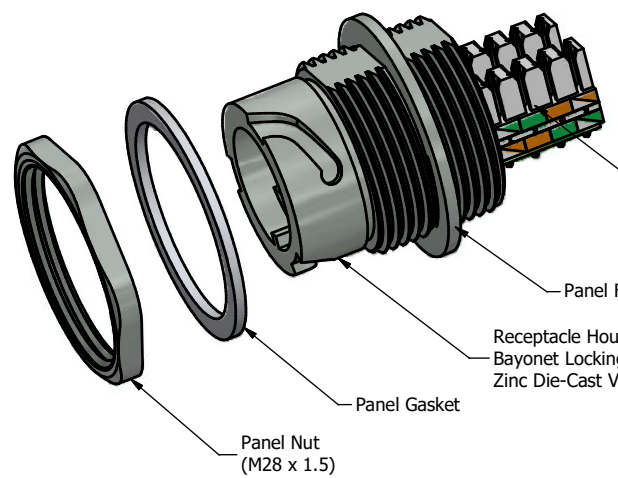
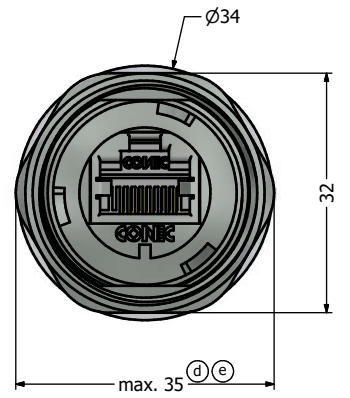
Recommended Single-D (d) Panel Cutout



Recommended Double-D (c) Panel Cutout



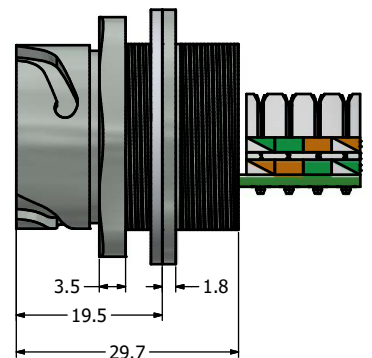
Bayonet Channel x 3



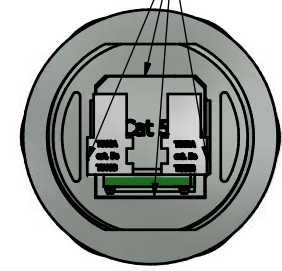
Shielded Cat. 5e RJ45 IDC Jack accepts both Solid and Stranded AWG 24 to 26 Wires

Panel Flange  
Receptacle Housing Bayonet Locking Style, Zinc Die-Cast Version

Panel Nut (M28 x 1.5)



Sealed with Sealing Compound, provides IP67 even when uncovered (For potted version only)



**Notes:**

- Electrical Specifications:
  - Meets EIA/TIA-568-B.2 Cat.5e Specification
  - Contact Resistance: 20mOhm max.
  - Insulation Resistance: 500MOhm min. @ 100 VDC
  - Current Rating: 1.2A max. at 25° C
  - Working Voltage: 100 VDC
  - DWV: 1000 VDC/60s Contact to Contact, 1500 VDC/60s Contact to Metal Shell
  - Operating Temperature: -40° C to +85° C
- Material and Finish:
  - Receptacle Housing: Zinc Die-cast, Finish: Nickel Plated
  - Panel Nut: Brass, Finish: Nickel Plated
  - Panel Gasket: Silicon, Color: White
  - RJ45 IDC Jack Metal Shell: Copper Alloy, Nickel Plated
  - RJ45 IDC Jack Plastic Housing: Glass filled PBT UL94 V-0, Color: Black
  - RJ45 IDC Jack Contacts: Phosphor Bronze, Finish: 50u" Gold min. over Nickel
- Connector can be front or rear mounted to a maximum panel thickness of 3.2mm.
- IP67 rated when fully mated with the appropriate connector
- RoHS compliant

RoHS compliant

(b) (d)	Description	Part Number
	Nickel Plated Zinc Die-Cast with Shielded Cat5e RJ45 IDC Jack	17-101774
	Potted Nickel Plated Zinc Die-Cast with Shielded Cat5e RJ45 IDC Jack	17-102174

THIS DRAWING MAY NOT BE COPIED OR REPRODUCED IN ANY MANNER WITHOUT THE WRITTEN PERMISSION OF CONEC CORPORATION. OWNERSHIP AND COPYRIGHT OF CONEC CORPORATION.	Customer:			Tolerance Unless otherwise specified		Scale: NTS Dim. in mm
	Name	Title	Approval Date	0 PLC ±0.50	1 PLC ±0.38	
	1 x e	Ä21-0426	25.10.2021	Bub	2 PLC ±0.25	3 PLC ±0.10
	d	3 x d	Mar/02/2011	Vincent ke	ANGLES ±3°	2010 Date
	c	1 x c	Jan/28/2011	Vincent Ke	Draw. May 20	Name Vincent Ke
b	3 x b	Dec/16/2010	Vincent Ke	Appd. May 20	Name J. Chaudry	
a	original			Norm		
Rev	Changes	Date	Name	Title: Receptacle Assembly Kit with Cat. 5e RJ45 IDC Jack Nickel Plated Zinc Die-Cast Version		
Drawing No.: 17K1A145 Part No.: SEE TABLE ABOVE						
						DIN A3
						Sheet 1/1

6 5 4 3 2 1