

# AS1121

## 16-Channel LED Driver with Dot Correction and Greyscale PWM

### 1 General Description

The AS1121 is a 16-channel, constant current-sink LED driver. Each of the 16 channels can be individually adjusted by 4096-step greyscale PWM brightness control and 64-step constant-current sink (dot correction).

The dot correction circuitry adjusts the brightness variations between the AS1121 channels and other LED drivers. Greyscale control and dot correction circuitry are accessible via the SPI-compatible serial interface. A single external resistor sets the maximum current value of all 16 channels.

The open LED detection function indicates a broken or disconnected LED at one or more of the outputs. The overtemperature protection-flag indicates that the device is in an overtemperature condition.

An additional power-down pin puts the AS1121 into a 40nA standby-mode.

The AS1121 is available in a 32-pin TQFN 5x5 mm package.

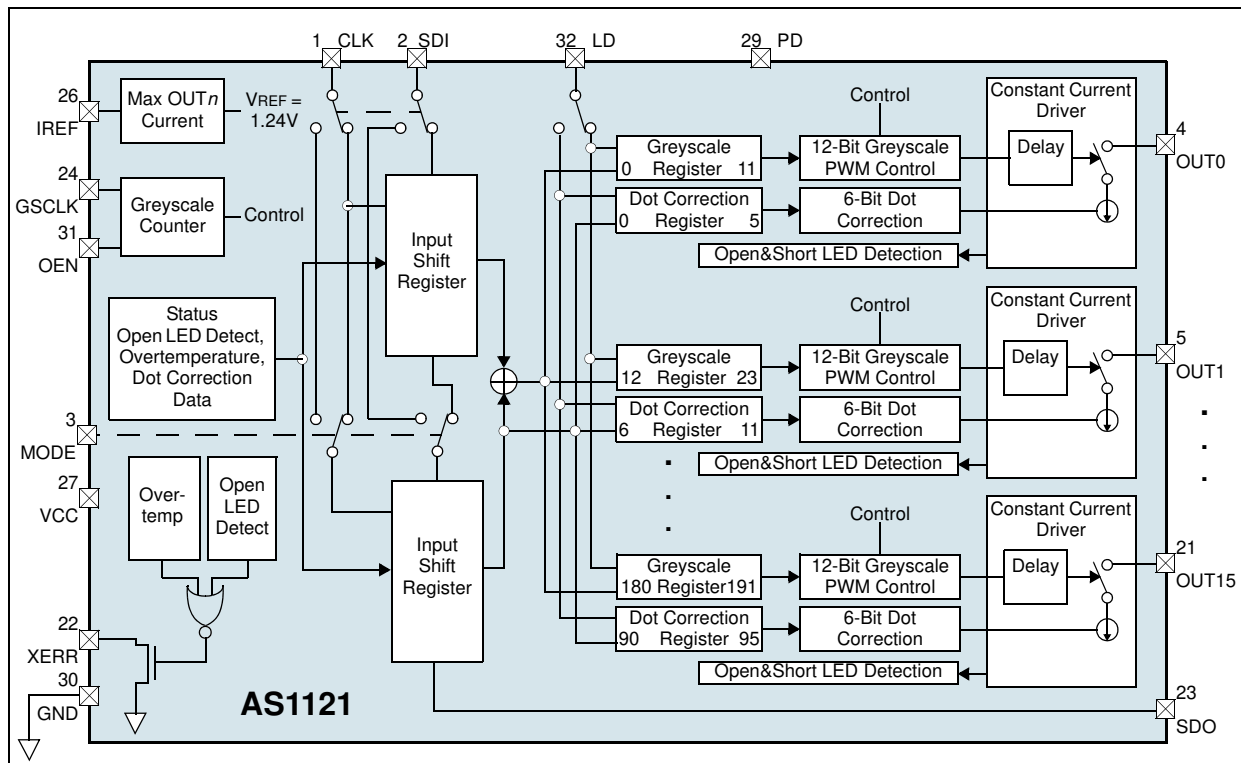
### 2 Key Features

- Greyscale PWM Control: 12-Bit (4096 Steps)
- Dot Correction: 6-Bit (64 Steps)
- Drive Capability (Constant-Current Sink): 0 to 40mA
- LED Power Supply Voltage: up to 30V
- Supply Voltage Range: 3.1V to 3.6V
- SPI-Compatible Serial Interface
- Output Delay for controlled Inrush Current (factory set, can be turned off)
- Factory set rise- and fall-time for EMI improvement
- PWM Clock Rate: up to 10 MHz
- Data Transfer Clock Rate: up to 30 MHz
- CMOS Level I/O
- Diagnostic Features
- 32-pin TQFN 5x5 mm Package

### 3 Applications

The device is ideal for mono-, multi-, and full-color LED displays, LED signboards, and display backlights.

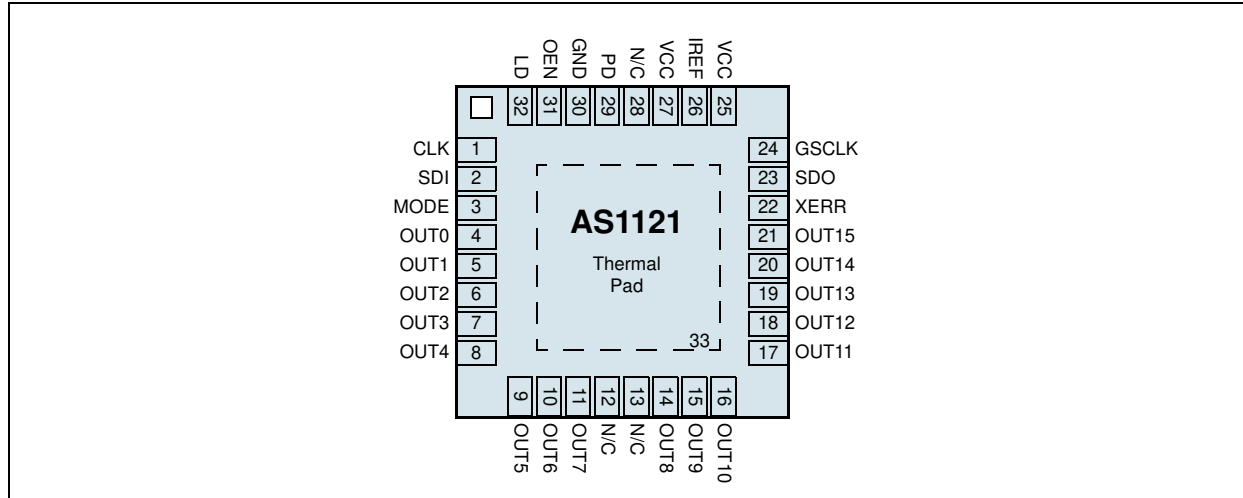
Figure 1. AS1121 - Block Diagram



## 4 Pinout

### Pin Assignments

Figure 2. Pin Assignments (Top View)



### Pin Descriptions

Table 1. Pin Descriptions

Pin Number	Pin Name	Description
1	CLK	Serial Data Shift Clock
2	SDI	Serial Data Input
3	MODE	Mode Select input with internal pulldown MODE = GND: Selects greyscale mode (see <a href="#">Setting Greyscale Brightness on page 11</a> ) MODE = VCC: Selects dor correction mode (see <a href="#">Setting Dot Correction on page 10</a> )
4:11	OUT0:OUT7	Constant-Current Outputs 0:7
14:21	OUT8:OUT15	Constant-Current Outputs 8:15
22	XERR	Error Output 0 = LED open detection or overtemperature condition is detected. 1 = Normal operation.
23	SDO	Serial Data Output
24	GSCLK	Greyscale Clock. Reference clock for greyscale PWM control
26	IREF	Reference Current Terminal
25, 27	VCC	Power Supply Voltage
12,13,28	N/C	This pins must not be connected
29	PD	Power Down 0 = normal operation mode 1 = power down mode
30	GND	Ground
31	OEN	Blank Outputs 0 = OUT $n$ outputs are controlled by the greyscale PWM control. 1 = OUT $n$ outputs are forced off; the greyscale counter is reset.
32	LD	Data Latch. The internal connections are switched by pin MODE. For LD (MODE = GND), the greyscale register receives new data. For LD (MODE = VCC), the dot correction register receives new data.
33	Thermal Pad	Thermal Pad. This pin must be connected to GND to ensure normal operation.

## 5 Absolute Maximum Ratings

Stresses beyond those listed in [Table 2](#) may cause permanent damage to the device. These are stress ratings only, and functional operation of the device at these or any other conditions beyond those indicated in [Electrical Characteristics on page 4](#) is not implied. Exposure to absolute maximum rating conditions for extended periods may affect device reliability.

Table 2. Absolute Maximum Ratings

Parameter	Min	Max	Units	Comments
<b>Electrical Parameters</b>				
VCC to GND	-0.3	5	V	
All other pins to GND	-0.3	VCC + 0.3	V	
VSDO, VXERR to GND	-0.3	VCC + 0.3	V	
VOUT0 : VOUT15 to GND	-0.3	30	V	
Output Current		50	mA	
Input Current (latch-up immunity)	-100	100	mA	Norm: JEDEC 78
<b>Electrostatic Discharge</b>				
Electrostatic Discharge HBM	+/- 2		kV	Norm: MIL 883 E method 3015
<b>Thermal Information</b>				
Junction to ambient thermal resistance		37	°C/W	For more information about thermal metrics, see application note <i>AN01 Thermal Characteristics</i> .
<b>Temperature Ranges and Storage Conditions</b>				
Junction Temperature		+125	°C	
Storage Temperature Range	-55	+150	°C	
Package Body Temperature		+260	°C	The reflow peak soldering temperature (body temperature) specified is in accordance with <i>IPC/JEDEC J-STD-020 "Moisture/Reflow Sensitivity Classification for Non-Hermetic Solid State Surface Mount Devices"</i> . The lead finish for Pb-free leaded packages is matte tin (100% Sn).
Humidity non-condensing	5	85	%	
Moisture Sensitive Level	3			Represents a max. floor life time of 168h

## 6 Electrical Characteristics

VCC = +3.1V to +3.6V, Typical values are at TAMB = +25°C, VCC = 3.3V (unless otherwise specified). All limits are guaranteed. The parameters with min and max values are guaranteed with production tests or SQC (Statistical Quality Control) methods..

Table 3. Electrical Characteristics

Symbol	Parameter	Condition	Min	Typ	Max	Unit
TAMB	Operating Temperature Range		-40		+85	°C
TJ	Operating Junction Temperature		-40		+125	°C
<b>Input Supply</b>						
VCC	Supply Voltage		3.1		3.6	V
ICC	Supply Current	All outputs off, RIREF = 1kΩ		8.5	15	mA
		All outputs on, RIREF = 1kΩ		15	20	
		All outputs off, RIREF = 10kΩ		2	4	
		All outputs on, RIREF = 10kΩ		3	5	
I	Input Current	VIN = VCC or GND; Pins OEN, GSCLK, CLK, SDI, LD, PD	-1		1	μA
		VIN = VCC; pin MODE			50	
		VIN = GND; pin MODE	-1		1	
IPD	Power Down Current			40		nA
<b>Output</b>						
VOUT	Voltage Applied to Output (OUT0:OUT15)		1.5		30	V
ICOC	Constant Output Current	All outputs on, VOUT = 1.5V, RIREF = 1kΩ	36	40	44	mA
ΔICOC	Constant Output Current Error	VOUT = 1.5V, RIREF = 1kΩ, OUT0:OUT15		±1		%
		VOUT = 1.5V, RIREF = 10kΩ, OUT0:OUT15		±1.5		
		Device to device, average current from OUT0:OUT15, RIREF = 1kΩ		±1		
		Device to device, average current from OUT0:OUT15, RIREF = 10kΩ		±1		
I <sub>LEAK</sub>	Leakage Output Current	All outputs off, VOUT = 30V, RIREF = 1kΩ, OUT0:OUT15		20		nA
ΔILNR	Line Regulation	VOUT = 1V, RIREF = 1kΩ OUT0:OUT15		±1	±2.5	%/V
		VOUT = 1V, RIREF = 10kΩ OUT0:OUT15		±0.2	±2.5	
ΔILD <sub>R</sub>	Load Regulation	VOUT = 1.5V to 4V, RIREF = 1kΩ, OUT0:OUT15		±0.1	±0.4	%/V
		VOUT = 1.5V to 4V, RIREF = 10kΩ, OUT0:OUT15		±0.01	±0.4	
<b>Logic Levels</b>						
VIH	High-Level Input Voltage		0.8 x VCC		VCC	V
VIL	Low-Level Input Voltage		GND		0.2 x VCC	V
VOH	High-Level Output Voltage	IOH = -1mA, SDO	VCC-0.5			V
VOL	Low-Level Output Voltage	IOL = 1mA, SDO, XERR			0.5	V
IOH	High-Level Output Current	VCC = 5 V at SDO	-1.0			mA

Table 3. Electrical Characteristics (Continued)

Symbol	Parameter	Condition	Min	Typ	Max	Unit
IOL	Low-Level Output Current	VCC = 5 V at SDO, XERR	1.0			mA
VLOD	LED Open Detection Threshold			0.3	0.4	V
VIREF	Reference Voltage Output	RIREF = 1k $\Omega$	1.23	1.27	1.32	V

## Timing Characteristics

VCC = +3.1V to +3.6V, TAMB = -40°C to +85°C. Typical values are at TAMB = +25°C, VCC = 3.3V (unless otherwise specified).

Table 4. Output Timing Characteristics

Symbol	Parameter	Conditions	Min	Typ	Max	Unit
tR0	Rise Time	SDO		8		ns
tR1 <sup>1</sup>		OUTn, DC = 3F <sub>HEX</sub> , RIREF = 1k $\Omega$		25		
tF0	Fall Time	SDO		8		ns
tF1 <sup>1</sup>		OUTn, DC = 3F <sub>HEX</sub> , RIREF = 1k $\Omega$		25		
tPD0	Propagation Delay Time	CLK, SDO <sup>2</sup>		15		ns
tPD1		OUT0, OUT1, OUT2, OUT3 <sup>2</sup> , RIREF = 1k $\Omega$ , turn ON delay				
tPD2		OUT0, OUT1, OUT2, OUT3 <sup>2</sup> , RIREF = 1k $\Omega$ , turn OFF delay				
tD	Average Output Delay Time (can be tured off on request)	OUT4, OUT5, OUT6, OUT7 <sup>2</sup>		25		ns
		OUT8, OUT9, OUT10, OUT11 <sup>2</sup>				
		OUT12, OUT13, OUT14, OUT15 <sup>2</sup>				

- Value can be factory trimmed for EMI improvement
- See [Figure 10](#) on page 13.

## Interface Characteristics

VCC = +3.1V to +3.6V, TAMB = -40°C to +85°C. Typical values are at TAMB = +25°C, VCC = 3.3V (unless otherwise specified).

Table 5. Serial Interface Timing Characteristics

Symbol	Parameter	Conditions	Min	Typ	Max	Unit
fCLK	Data Shift Clock Frequency	CLK			30	MHz
fGSCLK	Greyscale Clock Frequency	GSCLK			5	MHz
tWH0/tWL0	CLK Pulse Duration	CLK = 1/0 <sup>1</sup>	16			ns
tWH1/tWL1	GSCLK Pulse Duration	GSCLK = 1/0 <sup>2</sup>	tbd			ns
tWH2	LD Pulse Duration	LD = 1 <sup>1</sup>	20			ns
tWH3	OEN Pulse Duration	OEN = 1 <sup>2</sup>	20			ns
tERR	Error Detection Duration	LD = 1, OEN = 0 <sup>3</sup>		1000		ns

Table 5. Serial Interface Timing Characteristics

Symbol	Parameter	Conditions	Min	Typ	Max	Unit
tSU0	Setup Time	SDI, CLK <sup>4</sup>	12			ns
tSU1		CLK, LD <sup>3</sup>	12			
tSU2		MODE, CLK <sup>5</sup>	12			
tSU3		MODE, LD <sup>4</sup>	12			
tSU4		OEN, GSCLK <sup>2</sup>	12			
tH0	Hold Time	CLK, SDI <sup>3</sup>	12			ns
tH1		LD, CLK <sup>1</sup>	12			
tH2		CLK, MODE <sup>4</sup>	12			
tH3		LD, MODE <sup>4</sup>	12			
tH4		OEN, GSCLK <sup>2</sup>	12			

1. See [Figure 6 on page 10](#).
2. See [Figure 10 on page 13](#).
3. See [Figure 4 on page 8](#).
4. See [Figure 8 on page 11](#).
5. See [Figure 3 on page 7](#).

## 7 Detailed Description

### Serial Interface

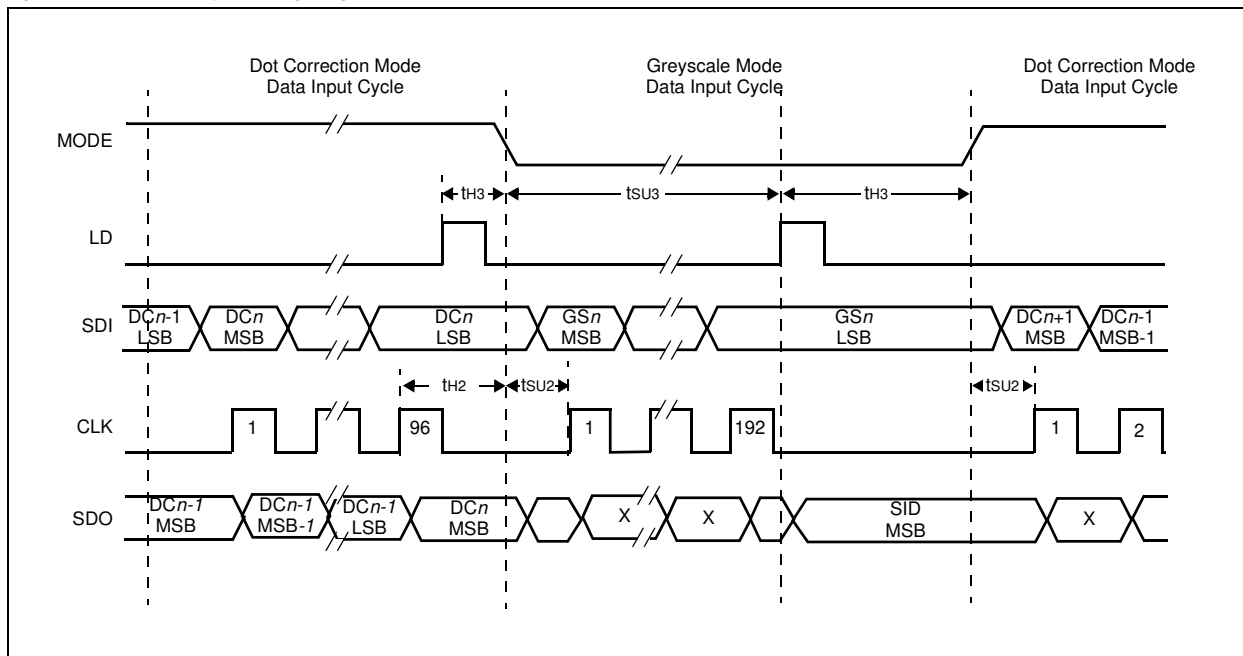
The AS1121 features a versatile 3-pin (CLK, SDI, and SDO) serial interface, which can be connected to microcontrollers or digital signal processors in various configurations.

The rising edge of the CLK signal shifts data from pin SDI to the internal register. After all data is clocked in, the serial data is latched into the internal registers at the rising edge of the LD signal.

**Note:** All data is clocked in with the MSB first.

Multiple AS1121 devices can be cascaded by connecting the SDO pin of one device with pin SDI of the next device (see Figure 11 on page 14). The SDO pin can also be connected to the microcontroller to receive status information from the AS1121. The serial data format is 96-bit or 192-bit wide, depending on mode of the device (see LD on page 2).

Figure 3. Serial Data Input Timing Diagram



## Error Information Output

The open-drain output pin XERR indicates if the device is in error condition (open LED detect or overtemperature). During normal operation, the internal transistor connected to pin XERR is turned off and the voltage on XERR is pulled up to VCC through an external pullup resistor.

If an open LED or an overtemperature condition is detected, the internal transistor is switched on, and XERR is pulled to GND. Because XERR is an open-drain output, multiple AS1121 devices can be ORed together and pulled up to VCC with a single pullup resistor (see Figure 11 on page 14). This reduces the number of signals needed to report a system error.

To differentiate the the open LED from the overtemperature condition the status information data (SID) of the AS1121 needs to be read out.

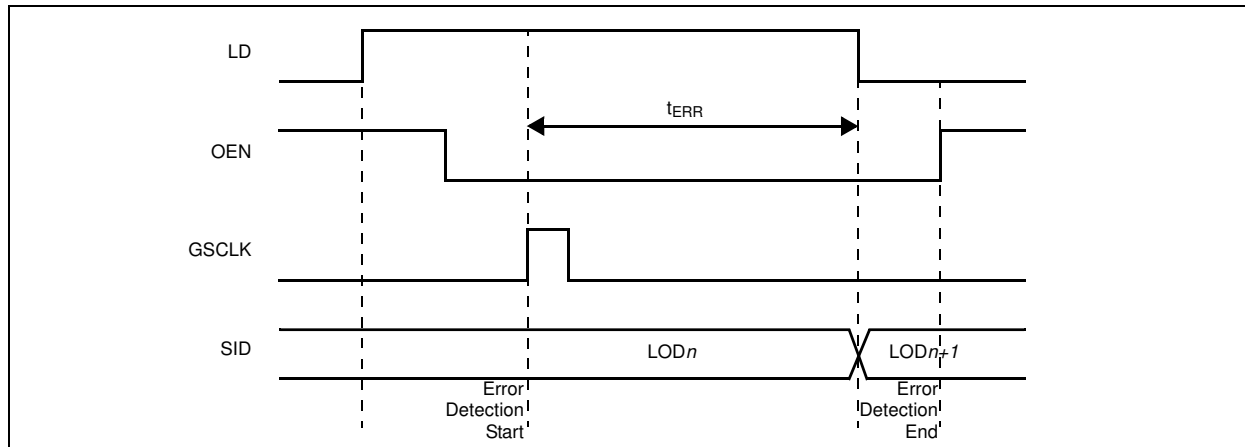
## Open LED Detection

The AS1121 integrated open LED detection circuit reports an error if any of the 16 LEDs is open or disconnected from the circuit. The open LED detection circuit trips when the error detection is activated and the voltage at  $OUT_n$  is less than VL<sub>OD</sub>.

**Note:** The voltage at each  $OUT_n$  is sampled 1  $\mu$ s after being switched on. Please refer to Figure 4 on page 8.

The open LED detection circuit also pulls XERR to GND when tripped. The open LED status of each channel can also be read out from the AS1121 status information data (SID) during a greyscale data input cycle.

Figure 4. Error Detection Timing ( $GS=FFFF_{HEX}$ ,  $DC=3F_{HEX}$ )



**Note:** The rising edge of LD latches new data into the internal registers depending on the logic level of the pin MODE. If the pin MODE is tied GND, the greyscale registers are updated. If the pin MODE is tied to VCC, the dot correction registers are updated.



## OUT<sub>n</sub> Enable

All OUT<sub>n</sub> channels can be collectively switched off with one signal. When OEN is set to 1, all OUT<sub>n</sub> channels are disabled, regardless of the device logic operations. The greyscale counter is also reset when OEN is set to 1.

When OEN is set to 0, all OUT<sub>n</sub> channels are in normal operation.

Table 6. Pin OEN Truth Table

OEN	OUT0:OUT15
0	Normal Operation
1	Disabled

## Setting Maximum Channel Current

The maximum output current per channel is programmed by a single resistor, RIREF, which is placed between pin IREF and GND. The voltage on pin IREF is set by an internal band gap VIREF (1.27V typ). The maximum channel current is equivalent to the current flowing through RIREF multiplied by a factor of 31.5. The maximum output current is calculated as:

$$I_{MAX} = \frac{V_{IREF}}{R_{IREF}} \times 31.5 \quad (EQ 1)$$

### Where:

VIREF = 1.27V;

RIREF = User-selected external resistor.

## Power Dissipation

To ensure proper operation of the device, the total power dissipation of the AS1121 must be below the power dissipation rating of the device package. Total power dissipation is calculated as:

$$PD = (VCC \times ICC) + (VOUT \times I_{MAX} \times n \times \frac{DCn}{63} \text{ dPWM}) \quad (EQ 2)$$

### Where:

VCC is the device supply voltage;

ICC is the device supply current;

VOUT is the device OUT<sub>n</sub> voltage when driving LED current;

I<sub>MAX</sub> is the LED current adjusted by RIREF;

DC<sub>n</sub> is the maximum dot correction value for OUT<sub>n</sub>;

n is the number of OUT<sub>n</sub> driving LED at the same time;

dPWM is the duty cycle defined by pin OEN or the greyscale PWM value.

## Operating Modes

The AS1121 operates in two modes (see Table 7). Greyscale operating mode (see Figure 8 on page 11) and the shift registers are in reset state at power-up.

Table 7. Operating Modes

Mode	Input Shift Register	Operating Mode
0	192-bit	Greyscale PWM Mode
1	96-bit	Dot Correction Data Input Mode

## Setting Dot Correction

The AS1121 can perform independent fine-adjustments to the output current of each channel, i.e., dot correction. Dot correction is used to adjust brightness deviations of LEDs connected to the output channels (OUT0:OUT15).

The device powers up with the following default settings: DC = 63 and GS = 4095.

The 16 channels can be individually programmed with a 6-bit word. The channel output can be adjusted in 64 steps from 0 to 100% of the maximum output current (IMAX). The output current for each OUT<sub>n</sub> channel can be calculated as:

$$I_{OUTn} = I_{MAX} \times \frac{DCn}{63} \quad (EQ 3)$$

### Where:

IMAX is the maximum programmable output current for each output;

DC<sub>n</sub> is the programmed dot correction value for output (DC<sub>n</sub> = 0 to 63);

n = 0 to 15

Dot correction data are simultaneously entered for all channels. The complete dot correction data format consists of 16 x 6-bit words, which forms a 96-bit serial data packet (see Figure 5). Channel data is put on one by one, and the data is clocked in with the MSB first.

Figure 5. Dot Correction Data Packet Format

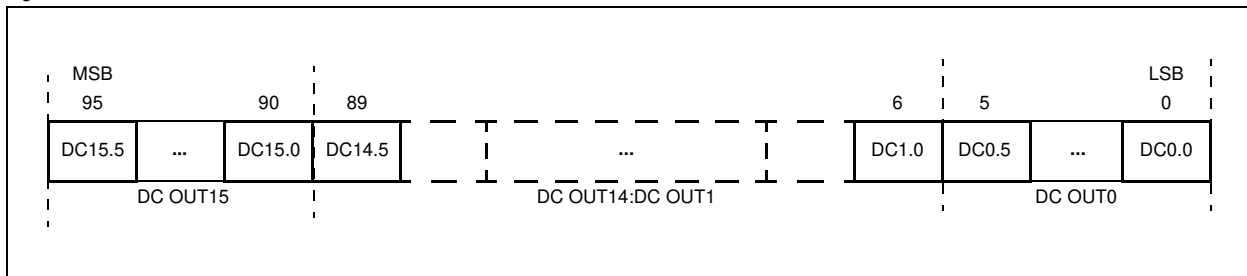
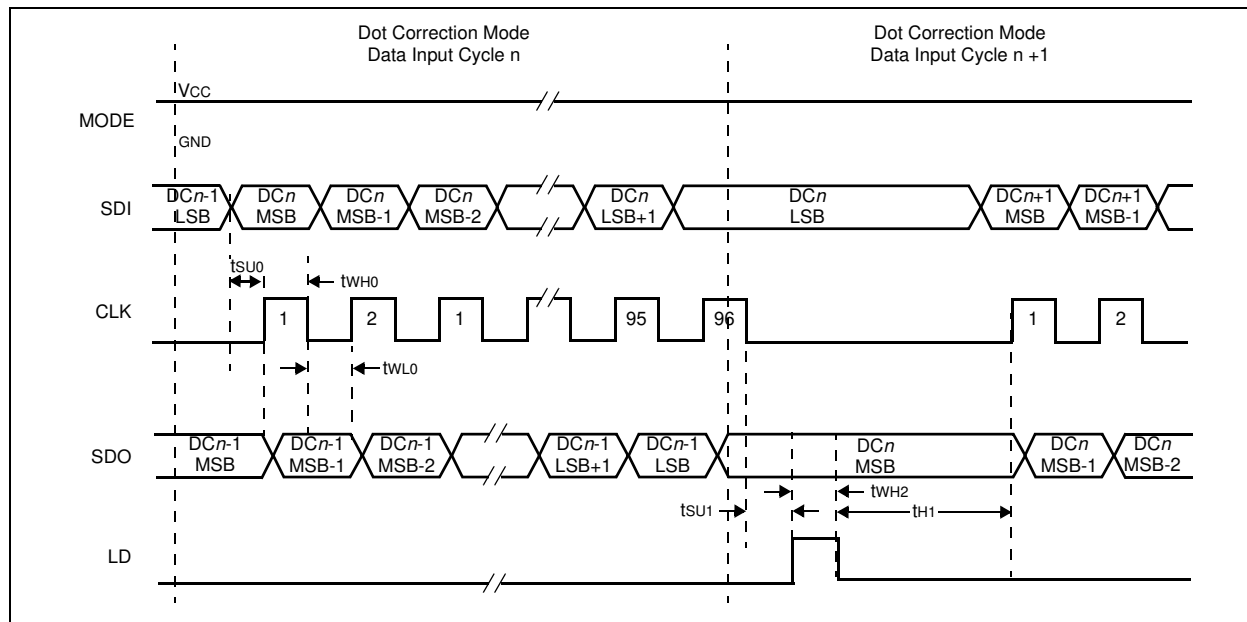


Figure 6. Dot Correction Data Input Timing Diagram



## Setting Greyscale Brightness

The brightness of each channel output can be adjusted using a 12 bits-per-channel PWM control scheme which results in 4096 brightness steps, from 0% to 100% brightness. The brightness level for each output is calculated as:

$$\% \text{Brightness} = \frac{GS_n}{4095} \times 100 \quad (\text{EQ 4})$$

### Where:

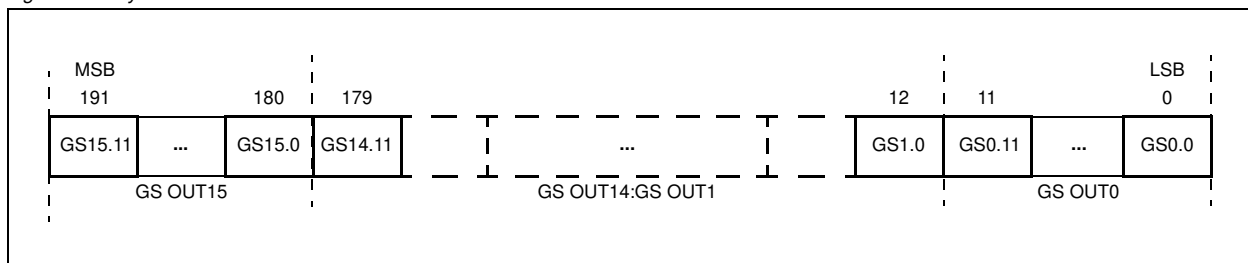
$GS_n$  is the programmed greyscale value for  $OUT_n$  ( $GS_n = 0$  to 4095);  
 $n = 0$  to 15 greyscale data for all outputs.

The device powers up with the following default settings:  $GS = 4095$  and  $DC = 63$ .

The input shift register shifts greyscale data into the greyscale register for all channels simultaneously. The complete greyscale data format consists of 16 x 12 bit words, which forms a 192-bit wide data packet (see Figure 7).

**Note:** The data packet must be clocked in with the MSB first.

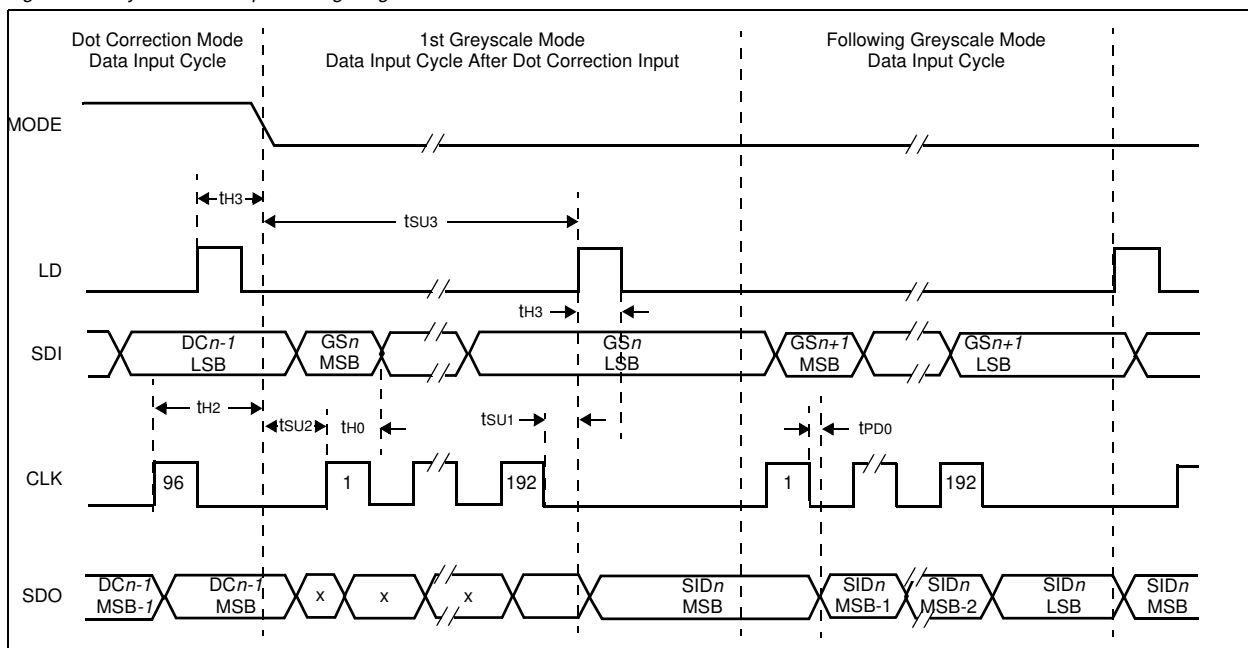
Figure 7. Greyscale Data Packet Format



When pin MODE is tied to GND, the AS1121 enters greyscale data input mode. The device switches the input shift register to 192-bit width. After all data is clocked in, the rising edge of the LD signal latches the data into the greyscale register (see Figure 8).

All greyscale data in the input shift register is replaced with status information data (SID) after latching into the greyscale register.

Figure 8. Greyscale Data Input Timing Diagram

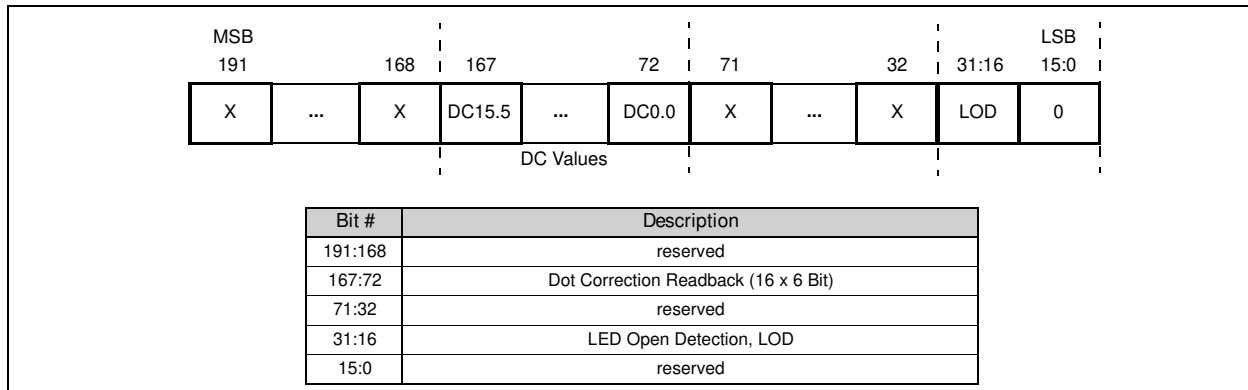


## Status Information Data (SID)

The AS1121 contains an integrated status information register, which can be accessed in greyscale mode (MODE = GND). Once the LD signal latches the data into the greyscale register, the input shift register data is replaced with status information data (see Figure 9).

The Open LED information as well as the dot-correction registers can be read out at pin SDO. The status information data packet is 192 bits wide. Bits 31:16 contain the open LED detection status of each channel. Bits 167:72 contain the data of the dot-correction register. The remaining bits are reserved. The complete status information data packet is shown in Figure 9.

Figure 9. Status Information Data Packet Format

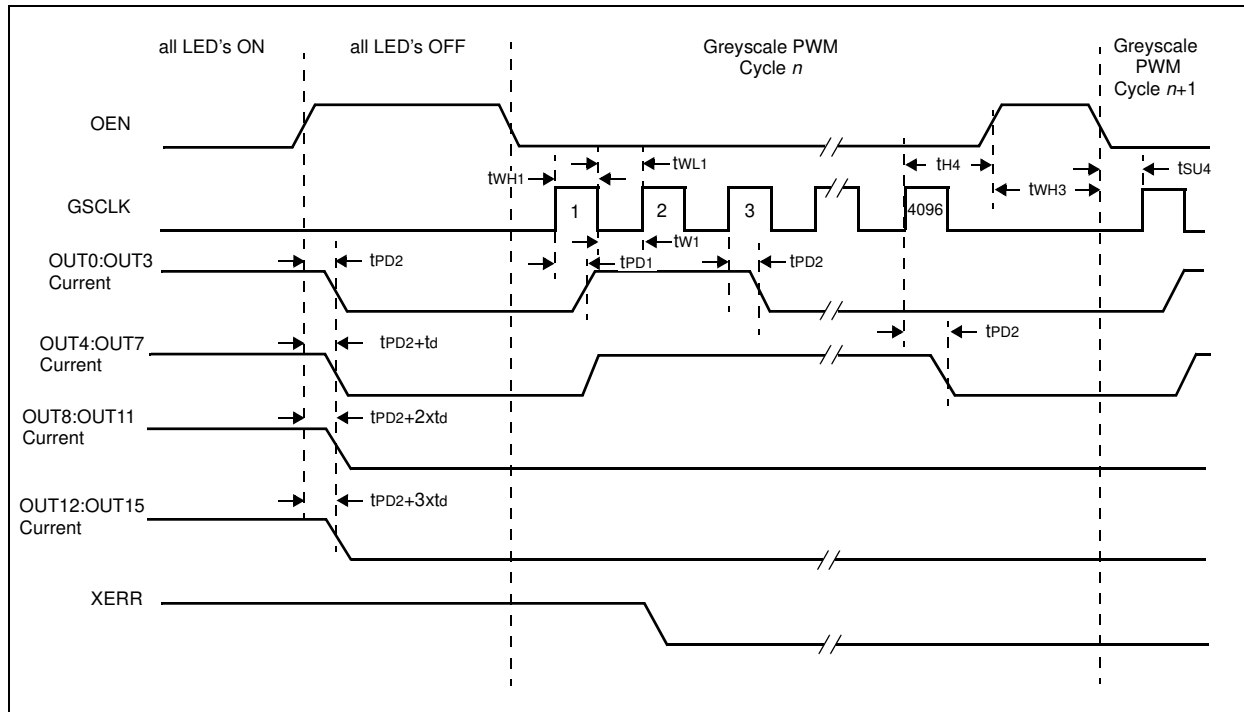


## Greyscale PWM Operation

The falling edge of the OEN signal initiates a greyscale PWM cycle. The first GSCLK pulse after the falling edge of OEN increments the greyscale counter by one and switches on any  $OUT_n$  whose greyscale value does not equal zero. Each subsequent rising edge of GSCLK increments the greyscale counter by one.

The AS1121 compares the greyscale value of each  $OUT_n$  channel with the greyscale counter value. All  $OUT_n$  whose greyscale values equal the counter values are switched off. A  $OEN = 1$  signal after 4096 GSCLK pulses resets the greyscale counter to zero and completes a greyscale PWM cycle (see Figure 10).

Figure 10. Greyscale PWM Cycle Timing Diagram



## Output Delay

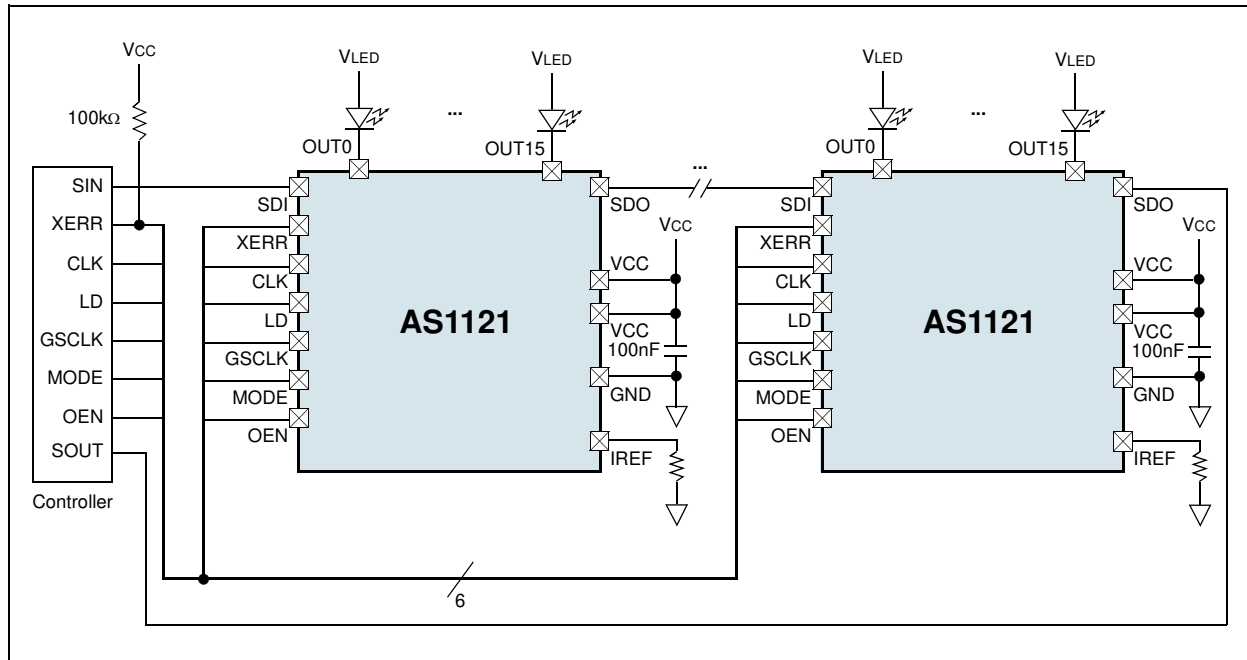
To minimize the ripple on the inrush current, the outputs are delayed and are not switching at the same time. The 16 channels of the AS1121 are combined in groups of 4. The channels within the groups  $OUT_0:OUT_3$ ,  $OUT_4:OUT_7$ ,  $OUT_8:OUT_{11}$ ,  $OUT_{12}:OUT_{15}$  are switching at the same time. Between the 4 groups a delay of  $t_d = 25\text{ns}$  (typ.) is implemented. On request this delay can be turned off (see Ordering Information on page 17).

To increase the EMI performance the rising and falling edges of the  $OUT_n$  signals are symmetrical ( $t_R = t_F = 25\text{ns}$ ). The rise- and fall-times are factory set and can be changed on request. For further information and requests, please contact us <mailto:sales@austriamicrosystems.com>.

## Serial Data Transfer Rate

Figure 11 shows a cascaded arrangement AS1121 devices connected to a controller, building a basic module of an LED display system.

Figure 11. Cascaded Configuration



The maximum number of cascading AS1121 devices depends on the application system and is in the range of 40 devices. The minimum frequency needed can be calculated by the following equations:

$$f_{GSCLK} = 4096 \times f_{UPDATE} \quad (EQ 5)$$

### Where:

$f_{GSCLK}$  is the minimum frequency needed for GSCLK;  
 $f_{UPDATE}$  is the update rate of whole cascaded system.

$$f_{CLK} = 193 \times f_{UPDATE} \times n \quad (EQ 6)$$

### Where:

$f_{CLK}$  is the minimum frequency needed for CLK and SIN;  
 $f_{UPDATE}$  is the update rate of whole cascaded system;  
 $n$  is the number of cascaded of AS1121 devices.

## 8 Package Drawings and Markings

Figure 12. 32-pin TQFN 5x5 mm Marking

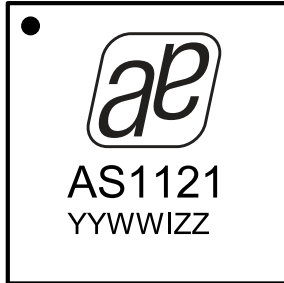
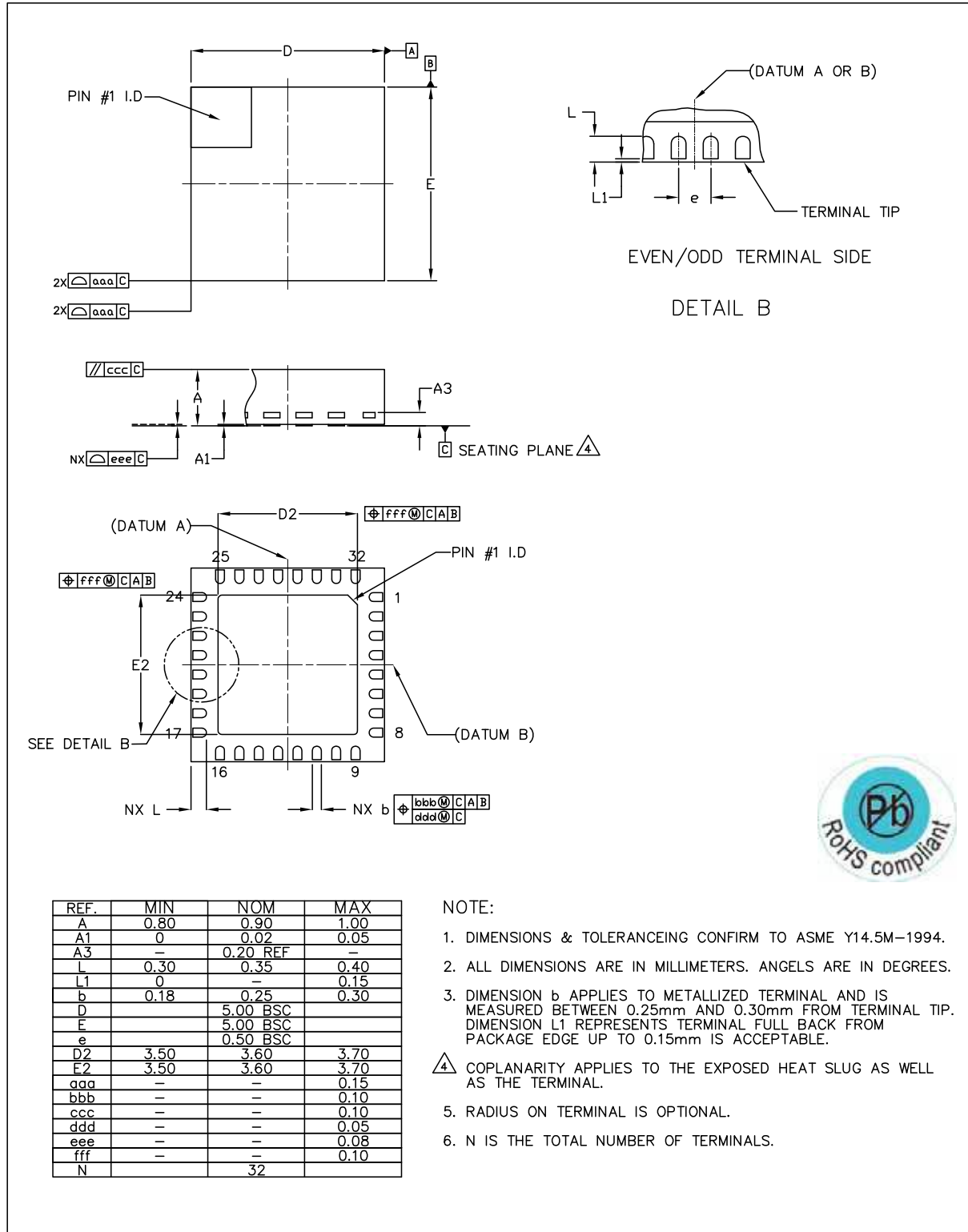


Figure 13. Packaging Code YYWWIZZ

YY	WW	I	ZZ
last two digits of the current year	manufacturing week	plant identifier	free choice / traceability code

Figure 14. 32-pin TQFN 5x5 mm Package



			ASSEMBLY ENGINEERING	
a leap ahead in analog			TITLE SAWN QFN, PULL BACK, 5x5x0.9mm 32 LEAD, 3.60mm SQ. ePAD	
DRAWN RHB	DATE 2010.10.29	REV. N/C	DRAWING NO. QRK	REFERENCE DOCUMENT JEDEC MO - 220 LATEST REVISION
CHECKED GBO	DATE 2010.10.29	SHEET 1 OF 1	DIMENSION AND TOLERANCE	UNIT SCALE NOT IN SCALE
APPROVED MKR	DATE 2010.10.29			



## 9 Ordering Information

The device is available as the standard products shown in [Table 8](#).

Table 8. Ordering Information

Ordering Code	Marking	Description	Delivery Form	Package
AS1121-BQFT	AS1121	16-Channel LED Driver with Dot Correction and Greyscale PWM	Tape and Reel	32-pin TQFN 5x5 mm
AS1121B-BQFT*	AS1121B	16-Channel LED Driver with Dot Correction and Greyscale PWM without Output Delay	Tape and Reel	32-pin TQFN 5x5 mm

\*) on request

**Note:** All products are RoHS compliant.

Buy our products or get free samples online at ICdirect: <http://www.austriamicrosystems.com/ICdirect>

Technical Support is found at <http://www.austriamicrosystems.com/Technical-Support>

For further information and requests, please contact us <mailto:sales@austriamicrosystems.com>

or find your local distributor at <http://www.austriamicrosystems.com/distributor>

## Copyrights

Copyright © 1997-2011, austriamicrosystems AG, Tobelbaderstrasse 30, 8141 Unterpremstaetten, Austria-Europe. Trademarks Registered ®. All rights reserved. The material herein may not be reproduced, adapted, merged, translated, stored, or used without the prior written consent of the copyright owner.

All products and companies mentioned are trademarks or registered trademarks of their respective companies.

## Disclaimer

Devices sold by austriamicrosystems AG are covered by the warranty and patent indemnification provisions appearing in its Term of Sale. austriamicrosystems AG makes no warranty, express, statutory, implied, or by description regarding the information set forth herein or regarding the freedom of the described devices from patent infringement. austriamicrosystems AG reserves the right to change specifications and prices at any time and without notice. Therefore, prior to designing this product into a system, it is necessary to check with austriamicrosystems AG for current information. This product is intended for use in normal commercial applications. Applications requiring extended temperature range, unusual environmental requirements, or high reliability applications, such as military, medical life-support or life-sustaining equipment are specifically not recommended without additional processing by austriamicrosystems AG for each application. For shipments of less than 100 parts the manufacturing flow might show deviations from the standard production flow, such as test flow or test location.

The information furnished here by austriamicrosystems AG is believed to be correct and accurate. However, austriamicrosystems AG shall not be liable to recipient or any third party for any damages, including but not limited to personal injury, property damage, loss of profits, loss of use, interruption of business or indirect, special, incidental or consequential damages, of any kind, in connection with or arising out of the furnishing, performance or use of the technical data herein. No obligation or liability to recipient or any third party shall arise or flow out of austriamicrosystems AG rendering of technical or other services.



## Contact Information

### Headquarters

austriamicrosystems AG  
Tobelbaderstrasse 30  
A-8141 Unterpremstaetten, Austria

Tel: +43 (0) 3136 500 0  
Fax: +43 (0) 3136 525 01

For Sales Offices, Distributors and Representatives, please visit:

<http://www.austriamicrosystems.com/contact>