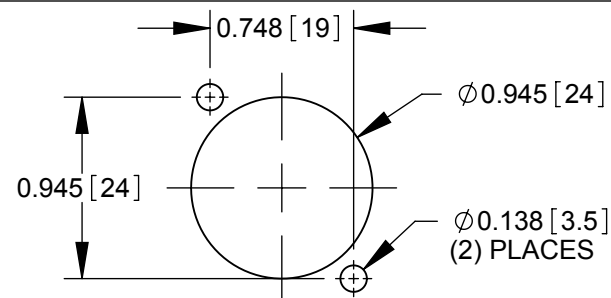
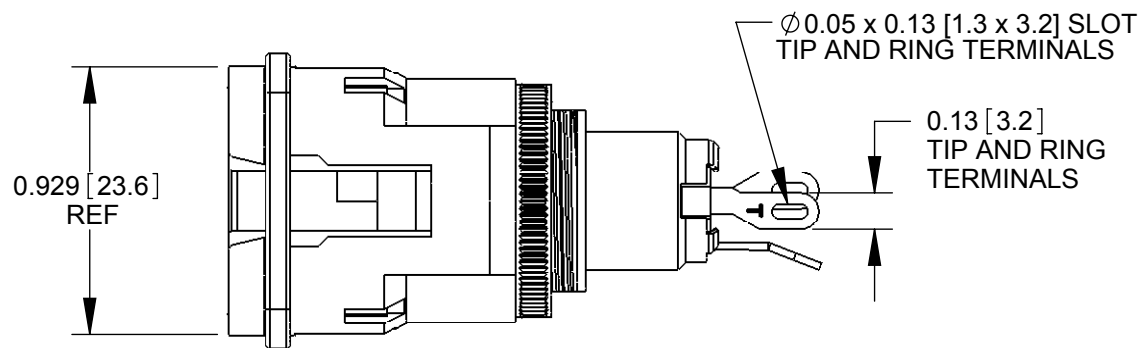
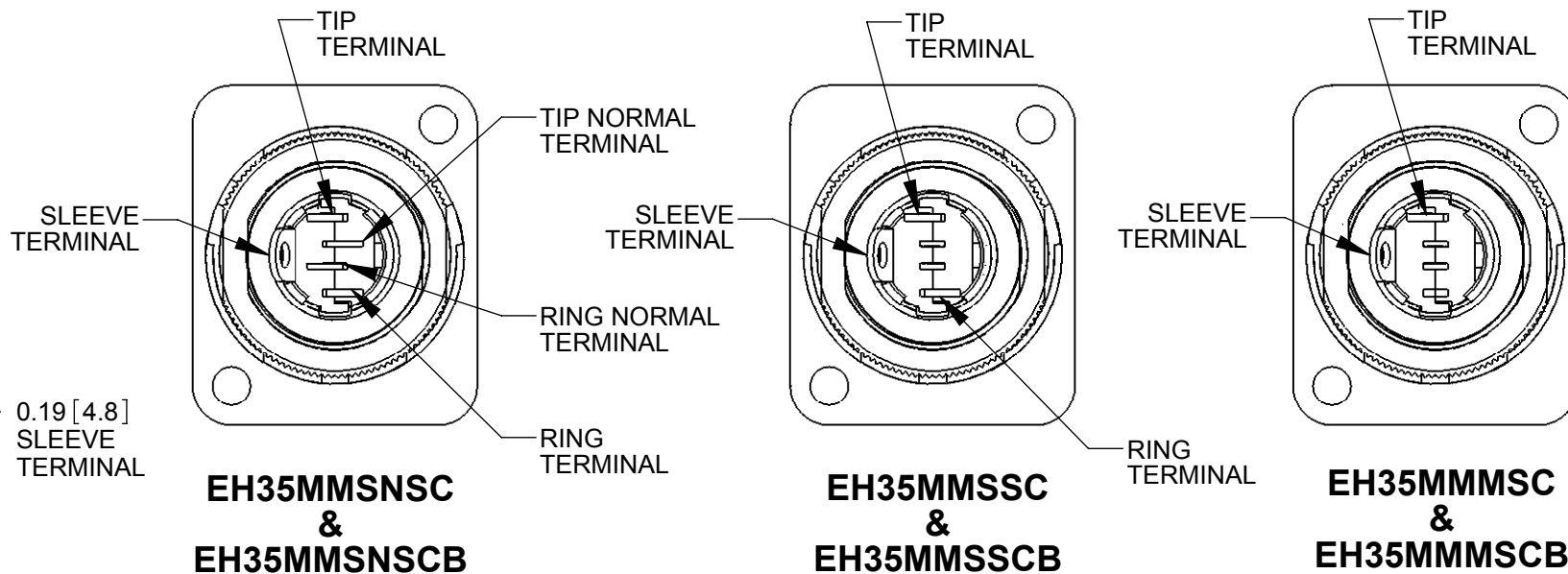
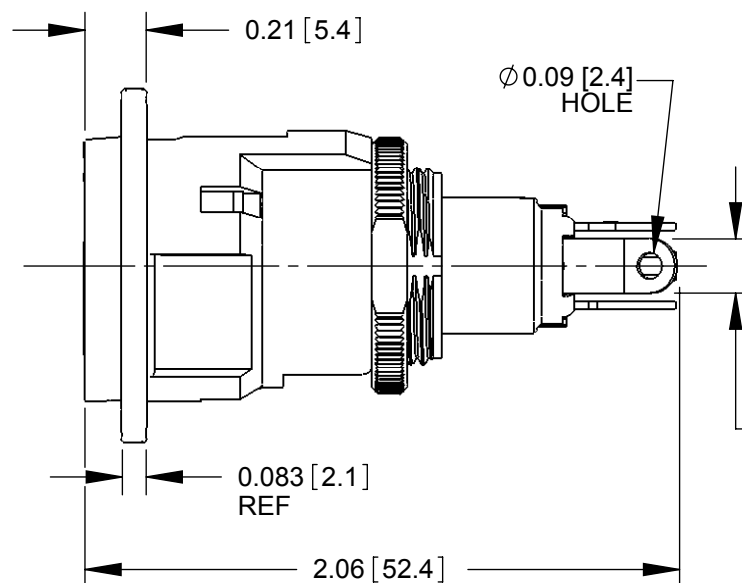
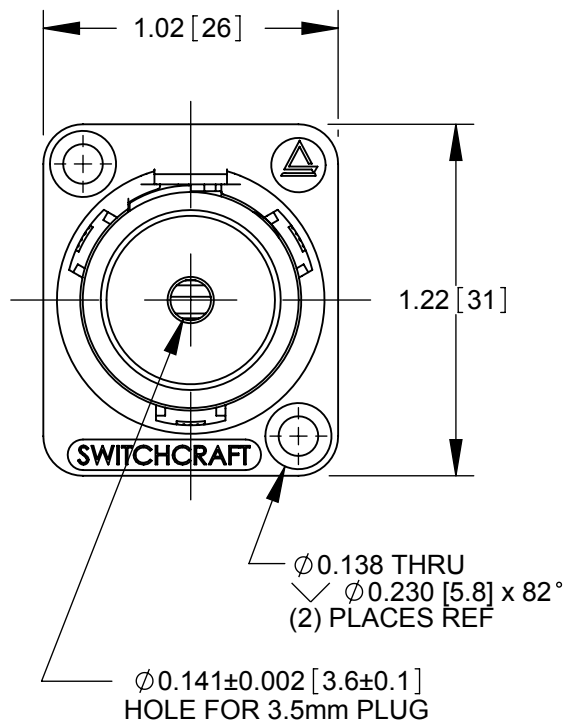
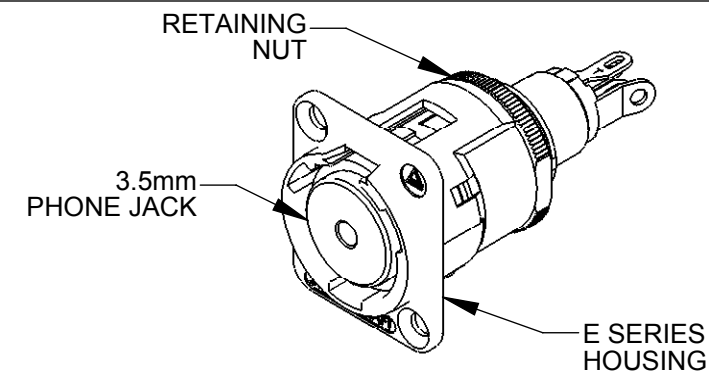


**EH35MMSNSC
SHOWN**



**RECOMMENDED
PANEL CUT-OUT**



NOTES:

- MATERIALS:**
HOUSING - ZINC ALLOY, SEE TABLE FOR FINISH
RETAINING NUT - BRASS, NICKEL PLATED
3.5mm PHONE JACK:
JACK HOUSING - BRASS, NICKEL PLATED
SPRINGS - NICKEL SILVER
INSULATORS - THERMOPLASTIC
INSERT OVERMOLD - THERMOPLASTIC
- SHIPPED ASSEMBLED WITHOUT PANEL MOUNTING HARDWARE. ADD "PKG" SUFFIX TO INCLUDE MOUNTING SCREWS AND INDIVIDUAL PACKAGING.
- THESE PRODUCTS ARE RoHS COMPLIANT.

PART NUMBER	DESCRIPTION	E SERIES HOUSING FINISH
EH35MMMSC	EH SERIES 3.5mm JACK, 2-CONDUCTOR MONO	NICKEL
EH35MMMSCB	EH SERIES 3.5mm JACK, 2-CONDUCTOR MONO	BLACK CHROME
EH35MMSSC	EH SERIES 3.5mm JACK, 3-CONDUCTOR STEREO	NICKEL
EH35MMSSCB	EH SERIES 3.5mm JACK, 3-CONDUCTOR STEREO	BLACK CHROME
EH35MMSNSC	EH SERIES 3.5mm JACK, 5-CONDUCTOR STEREO NORMALED	NICKEL
EH35MMSNSCB	EH SERIES 3.5mm JACK, 5-CONDUCTOR STEREO NORMALED	BLACK CHROME

CUSTOMER DRAWING

UNLESS OTHERWISE SPECIFIED					THIS DRAWING DESCRIBES A DESIGN CONSIDERED PROPRIETARY IN NATURE, DEVELOPED AND MANUFACTURED BY SWITCHCRAFT INC. AND IS RELEASED ON A CONFIDENTIAL BASIS FOR IDENTIFICATION PURPOSES ONLY.						
1. ALL DIMENSIONS IN INCHES					SIZE	WIDTH	MULT	LBS/M	TEMPER		
- TWO PLACE DECIMALS ±0.02					FINISH			MATERIAL			
- THREE PLACE DECIMALS ±0.005					SPEC No.			SPEC No.			
					FIRST USED ON		SCALE 1.5:1				
					DATE DRAWN	BY	CHKD	APVD			
					10/17/05	PNK	RS	TJK			
							6/24/09	8/27/09			
					NAME EH SERIES 3.5mm PHONE JACK					PART No. EH35MM SERIES	REV A
A	25459	10/20/06	RS	TJK	DO NOT SCALE DRAWING						
REV	ECO NUMBER	DATE	BY	APVD							
REVISIONS											