



- Ethernet based LAN, WAN and other networking applications
- PoE compatible with IEEE802.3af 350mA
- Operating Temp: 0°C to +70°C
- Reflow Condition: Maximum reflow temperature is 250°C/-5C, time is 20~40 sec. (Refer to IPC/JEDEC J-STD-020C standard)

Electrical Specifications @ 25°C

Turns Ratio (±2%)	OCL (uH min) @ 100KHz/0.1V with 8mA DC Bias	Insertion Loss (dB Max)	Isolation Voltage (Vrms MIN)
		1-100MHz	
1CT:1CT(TX)/1CT:1CT(RX)	350	-1.1	1500

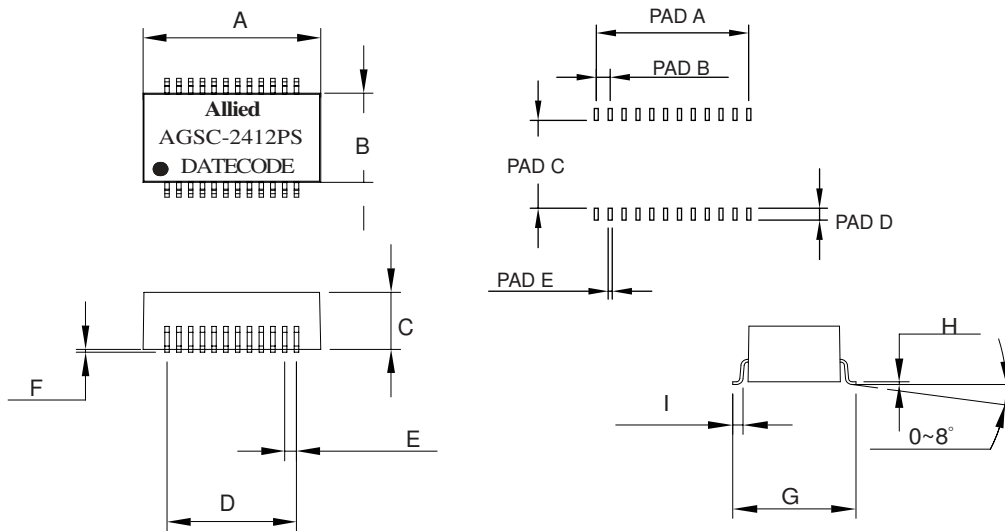
Electrical Specifications @ 25°C

Return Loss (dB Min) @ Load 100 Ω				Cross Talk (dB Min Typ)			DCMR HI-POT
1-40MHz	60MHz	80MHz	100MHz	30MHz	60MHz	100MHz	100MHz
-18	-14	-12	-10	-50	-45	-40	-40

All specifications subject to change without notice.

MECHANICAL

Unless otherwise specified, all tolerance are ± 0.25mm / 0.010 inch



Unit : mm/inch

- A=15.10/0.594
- B=7.10/0.280
- C=8.20/0.323
- D=11.0/0.433
- E=1.00/0.0393
- F=0.25/0.010
- G=10.0/0.394
- H=0~8
- I=0.9/0.0354
- PDA-A=11.0/0.433
- PDA-B=1.00/0.0393
- PDA-C=7.37/0.290
- PDA-D=2.03/0.080
- PDA-E=0.64/0.025

SCHEMATICS

