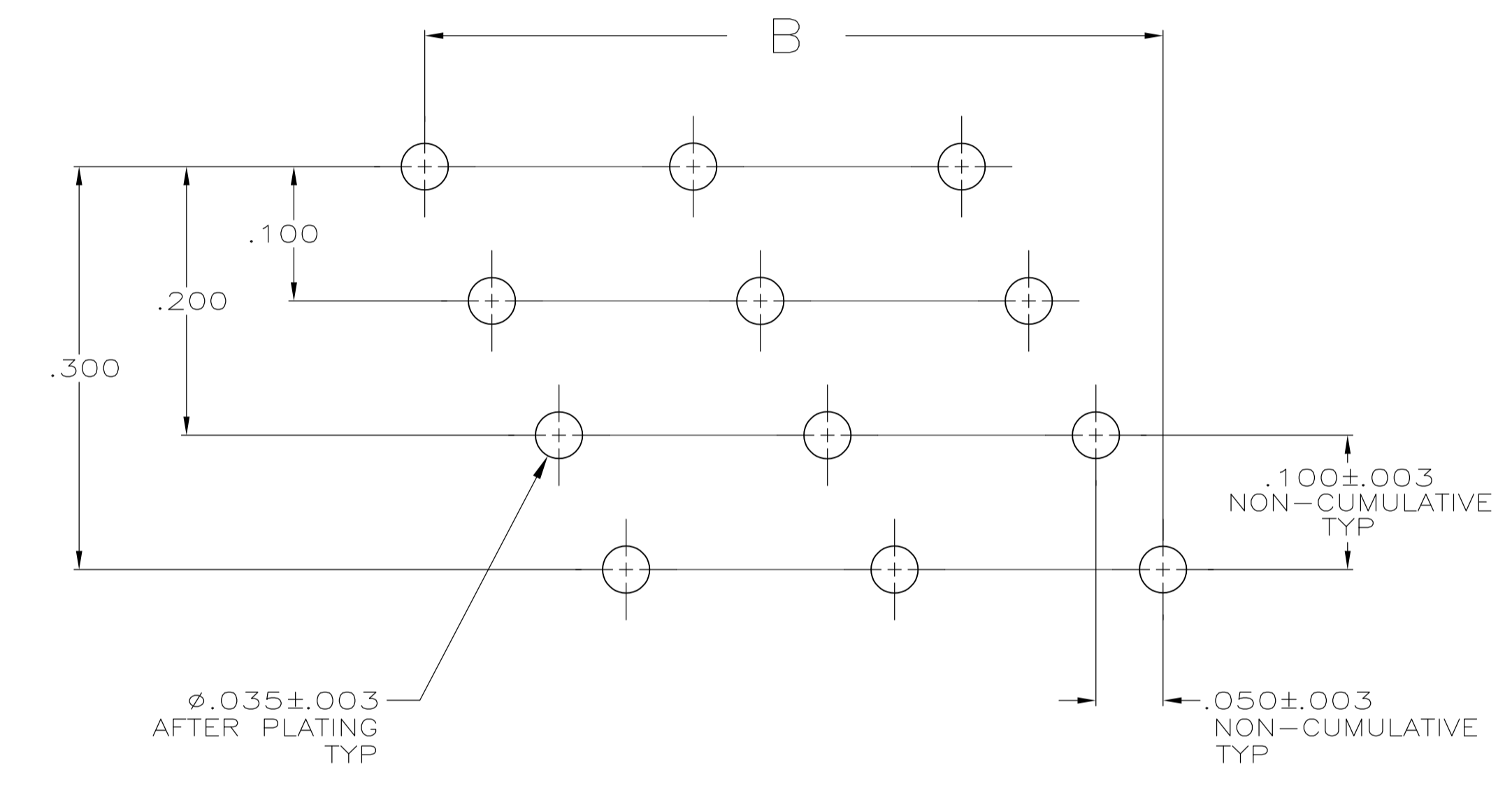
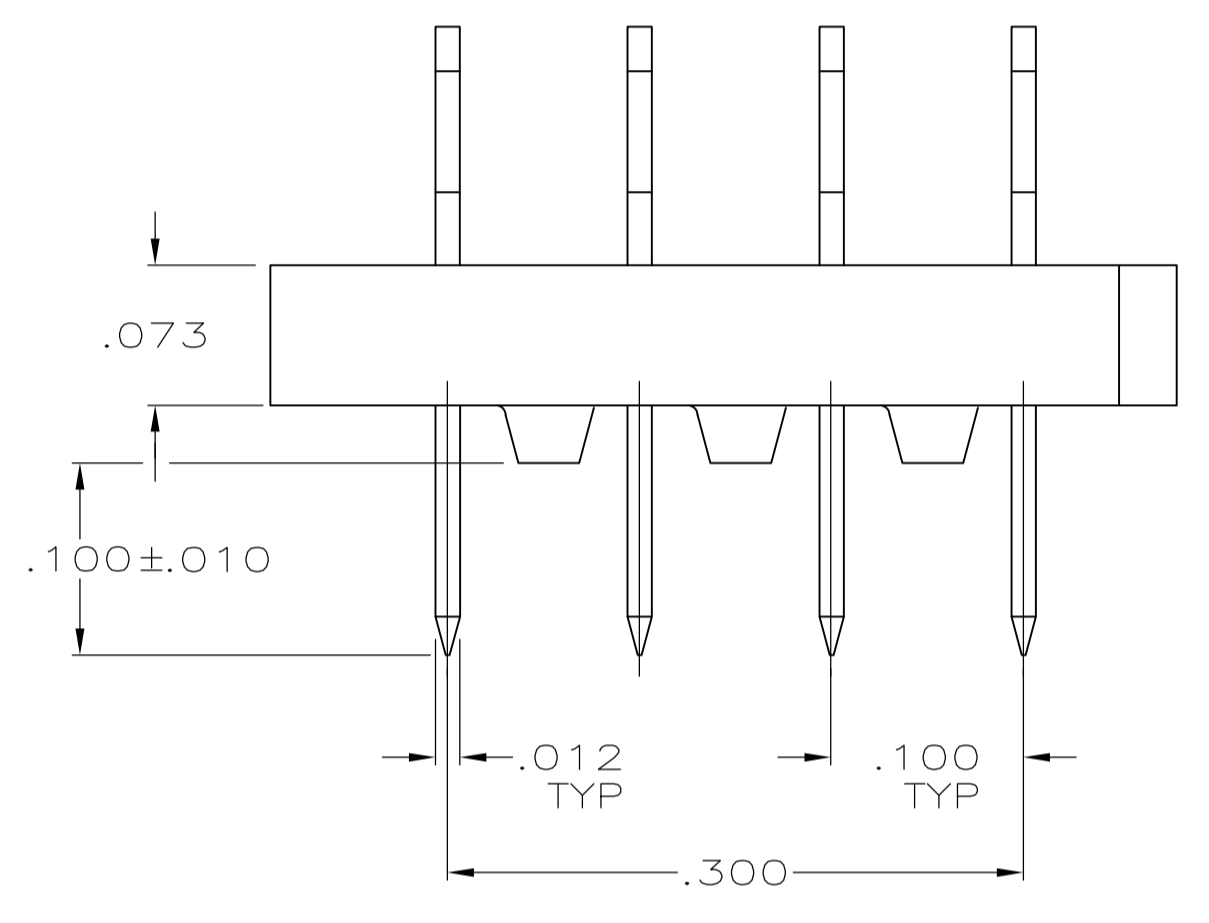
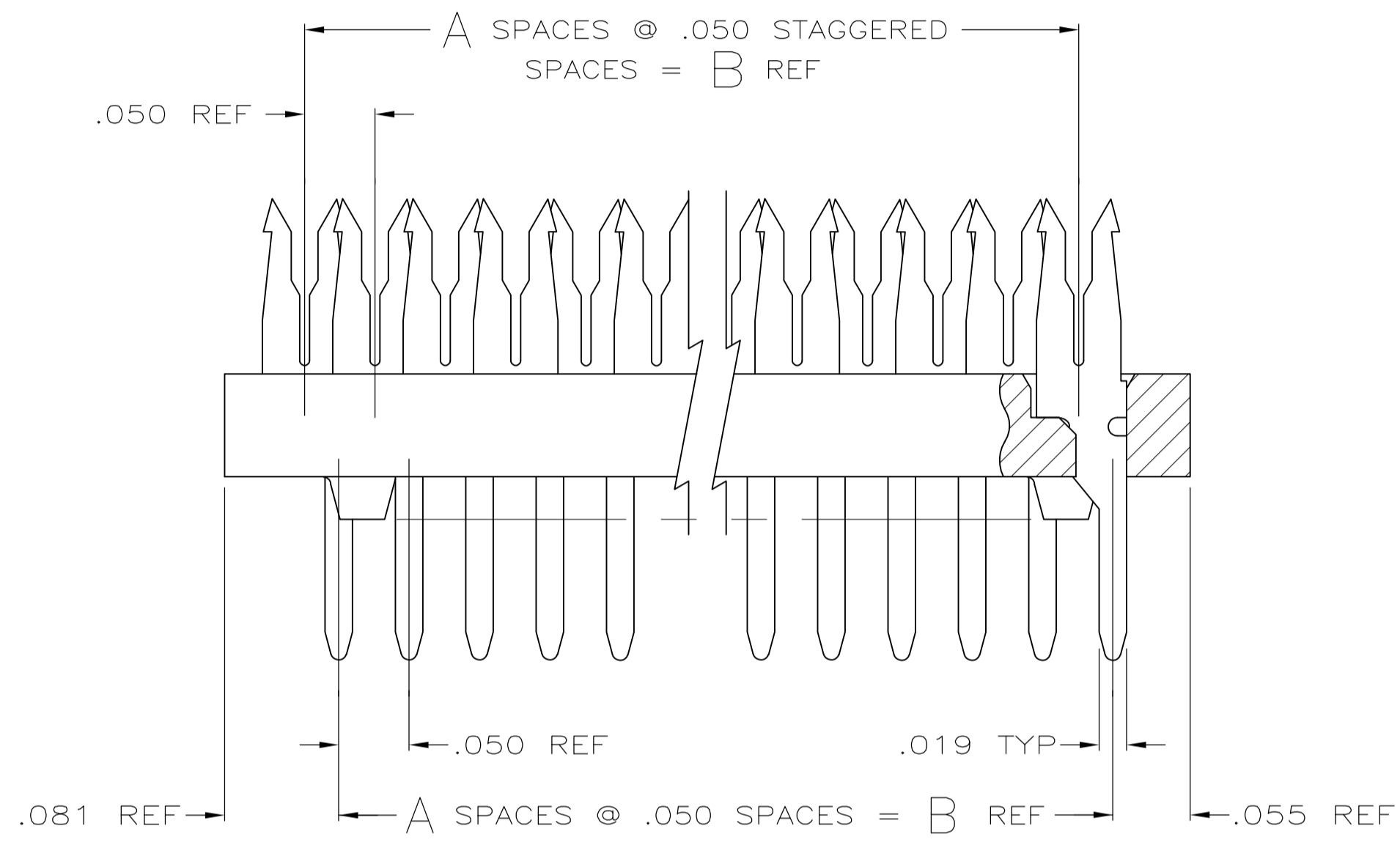
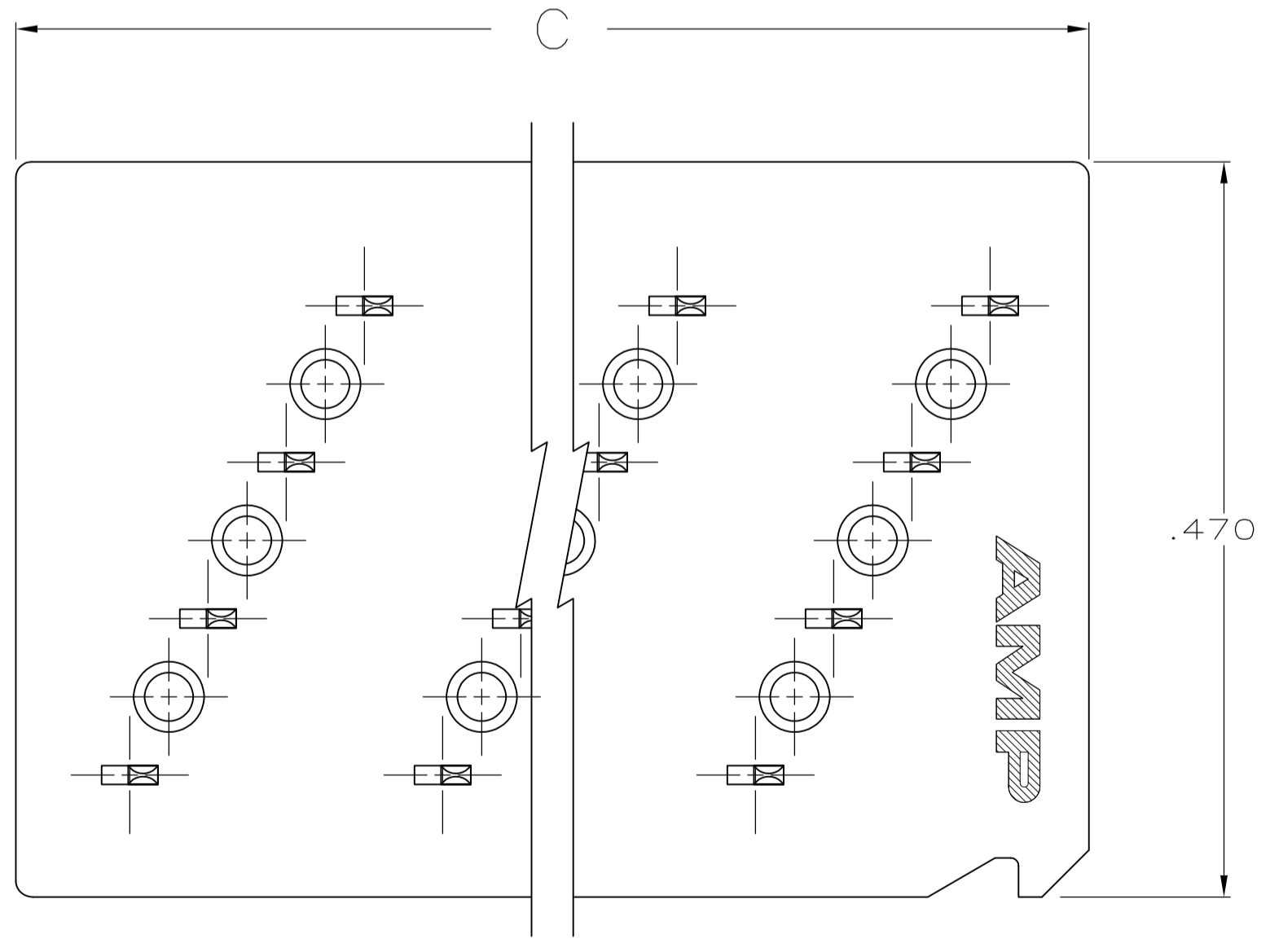


- ALL PARTS ASSEMBLED BY TYCO ELECTRONICS CORP.
- STANDOFFS: POSN 12 (9) STANDOFFS AS SHOWN.
 POSN 16 (12) STANDOFFS, 3 PER DIAGONAL ROW.
 POSN 20 (15) STANDOFFS, 3 PER DIAGONAL ROW.
 POSN 24 (18) STANDOFFS, 3 PER DIAGONAL ROW.
 POSN 28 (21) STANDOFFS, 3 PER DIAGONAL ROW.
 POSN 32 (24) STANDOFFS, 3 PER DIAGONAL ROW.
 POSN 36 (27) STANDOFFS, 3 PER DIAGONAL ROW.
 POSN 40 (30) STANDOFFS, 3 PER DIAGONAL ROW.
 POSN 44 (33) STANDOFFS, 3 PER DIAGONAL ROW.
 POSN 48 (36) STANDOFFS, 3 PER DIAGONAL ROW.
 POSN 52 (39) STANDOFFS, 3 PER DIAGONAL ROW.
 POSN 56 (42) STANDOFFS, 3 PER DIAGONAL ROW.
 POSN 60 (45) STANDOFFS, 3 PER DIAGONAL ROW.

- FLAME RETARDANT, 94 V-0 RATED, GLASS FILLED, NYLON OR POLYESTER, COLOR: BLACK.
- FINISH: BRIGHT TIN-LEAD .000100-.000200 THK OVER NICKEL .000050 MIN THK.
- FINISH: BRIGHT TIN .000100-.000200 THK OVER NICKEL .000050 MIN THK.



RECOMMENDED HOLE LAYOUT



∅	3.086	2.950	59	60	6-111356-3
∅	2.086	1.950	39	40	5-111356-8
∅	1.286	1.150	23	24	5-111356-4
∅	1.086	.950	19	20	5-111356-3
∅	.886	.750	15	16	5-111356-2
∅	3.086	2.950	59	60	1-111356-3
OBSOLETE	2.886	2.750	55	56	1- -2
OBSOLETE	2.686	2.550	51	52	1- -1
OBSOLETE	2.486	2.350	47	48	1- -0
OBSOLETE	2.286	2.150	43	44	-9
∅	2.086	1.950	39	40	-8
OBSOLETE	1.886	1.750	35	36	-7
OBSOLETE	1.686	1.550	31	32	-6
OBSOLETE	1.486	1.350	27	28	-5
∅	1.286	1.150	23	24	-4
∅	1.086	.950	19	20	-3
∅	.886	.750	15	16	-2
OBSOLETE	.686	.550	11	12	111356-1
FINISH	C	B	A	NO OF POSN	PART NUMBER

THIS DRAWING IS A CONTROLLED DOCUMENT.

DIMENSIONS: INCHES

TOLERANCES UNLESS OTHERWISE SPECIFIED:

0. PLC	± .005
1. PLC	± .005
2. PLC	± .005
3. PLC	± .005
4. PLC	± .005
ANGLES	± 0°30'

MATERIAL MOLDED PARTS: ∅

CONTACTS PH BRZ PER 02-B-750

FINISH CONTACTS ∅

THIS DRAWING IS A CONTROLLED DOCUMENT.

DWG: S. WELDON 23-FEB-86

CHK: W. LENKER 23-FEB-86

APPV: M. VISSELLI 24-FEB-86

NAME: ASSEMBLY, PADDLEBOARD, FULL ROW .100 LONG POSTS, FULL TIN PLATED CONTACTS AMP-LATCH

SIZE: A1

SCALE: 10:1

SHEET: 1 OF 1

REV: H

CUSTOMER DRAWING

SCALE: 10:1

SHEET: 1 OF 1

REV: H