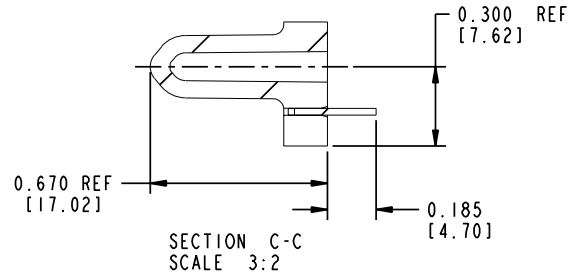
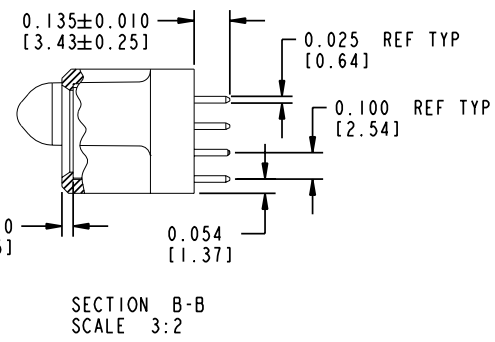
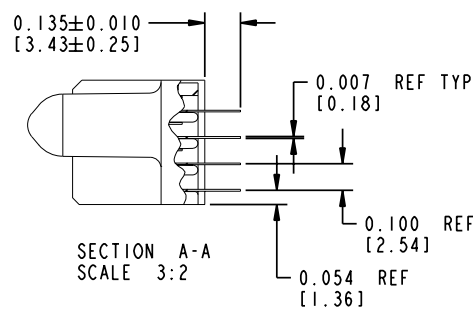




Tous droits strictement réservés. Reproduction ou communication à des tiers interdite sous quelque forme que ce soit sans autorisation écrite du propriétaire. Propriété de c FCI. Droits de reproduction FCI.

All rights strictly reserved. Reproduction or issue to third parties in any form whatever is not permitted without written authority from the proprietor. Property of FCI. Copyright FCI.

PRODUCT NUMBER  
**51752-004**  
 Note: ⑥



CONNECTOR NOTES:

1. FOR ADDITIONAL INFORMATION, REFER TO DRAWING NUMBER 51752.

PCB NOTES:

2. ALL DIMENSIONS ARE BASIC UNLESS OTHERWISE SPECIFIED.
3. ALL THROUGH HOLES ARE LOCATED WITH A TRUE POSITION OF 0.004 [0.10]
4. ALL HOLE DIAMETERS ARE FINISHED HOLE SIZE
5.  $\varnothing 0.0453 \pm 0.0010$  [1.151 ± 0.025] DRILLED HOLES PLATED WITH 0.0003 [0.008] MIN SnPb OVER 0.001 [0.03] TO 0.003 [0.08] Cu PLATING TO ACHIEVE A  $\varnothing 0.040 \pm 0.003$  [1.02 ± 0.07] HOLE.

⑥ PLATING:

51752-004 Singal Pin: 30u"/0.76um Au OVER 50u"/1.27um Ni ON THE CONTACT AREA, AND 100u"/2.54um SnPb PLATING OVER 50u"/1.27um Ni ON THE TERMINATION SECTION.  
 Power Pin: 30u"/0.76um Au OVER 50u"/1.27um Ni ON THE CONTACT AREA, AND 100u"/2.54um SnPb PLATING OVER 50u"/1.27um Ni ON THE TERMINATION SECTION.

51752-004LF Singal Pin: 30u"/0.76um Au OVER 50u"/1.27um Ni ON THE CONTACT AREA, AND 78u"/2.00um Sn PLATING OVER 50u"/1.27um Ni ON THE TERMINATION SECTION.  
 Power Pin: 30u"/0.76um Au OVER 50u"/1.27um Ni ON THE CONTACT AREA, AND 78u"/2.00um Sn PLATING OVER 50u"/1.27um Ni ON THE TERMINATION SECTION.

PART NUMBER 51752-004LF MEETS EUROPEAN UNION DIRECTIVE AND OTHER COUNTRY REGULATIONS AS DESCRIBED IN GS-22-008.

THE HOUSING WILL WITHSTAND EXPOSURE TO 260° PEAK TEMPERATURE FOR 10 SECONDS IN A WAVE SOLDER APPLICATION WITH A CIRCUIT BOARD.

mat'l code		NOTE 1		tolerances unless otherwise specified		CUSTOMER		 www.fciconnect.com	
ltr	ecn no.	dr	date	linear	.XX±.01/0.X±0.3	COPY		projection	title
B				angles	.XXX±.005/0.XX±0.13	INCH/MM			14P + 28S VERTICAL SOLDER RECEPTACLE
				dr	.XXX±.0020/.XXX±.051	scale		product family	code
				enr	0°±2°	1:1		PwrBlade	213
				chr	C. DAILY 05/29/01			size	sheet
				appd	J. ALLISON 05/29/01			51752-004	2
sheet index	revision sheet				J. ALLISON 05/29/01				

Pro/E

cage code 22526

PDM: Rev:B

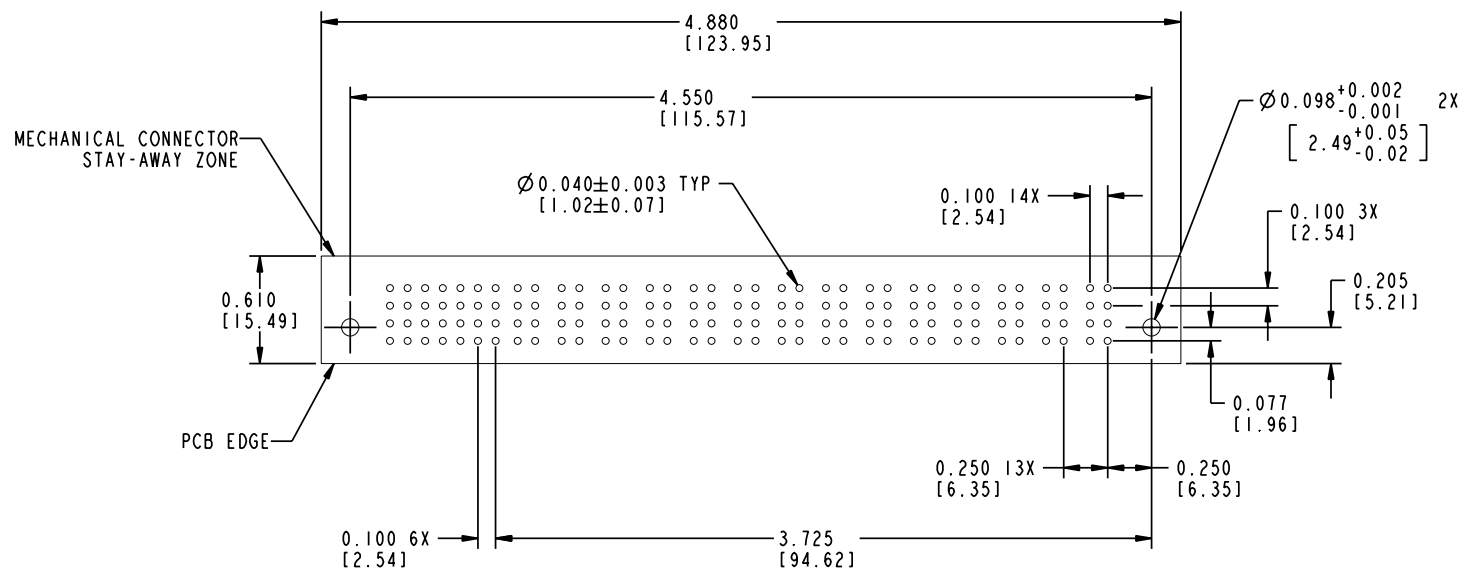
STATUS: Released

Printed: Dec 20, 2010

Tous droits strictement réservés. Reproduction ou communication à des tiers interdite sous quelque forme que ce soit sans autorisation écrite du propriétaire. Propriété de c FCI. Droits de reproduction FCI.

All rights strictly reserved. Reproduction or issue to third parties in any form whatever is not permitted without written authority from the proprietor. Property of FCI. Copyright FCI.

PRODUCT NUMBER  
**10;51752-004**..  
 Note: ⑥



RECOMMENDED PCB LAYOUT

mat'l code		NOTE 1		tolerances unless otherwise specified		CUSTOMER		 www.fciconnect.com	
ltr	ecn no.	dr	date	linear	.XX±.01/0.X±0.3	COPY		projection	title
B					.XXX±.005/0.XX±0.13				14P + 28S VERTICAL SOLDER RECEPTACLE
				angles	.XXX±.0020/.XXX±.051				product family
				dr	0°±2°	INCH/MM			PwrBlade
				enr	C. DAILY 05/29/01	1:1			code
				chr	J. ALLISON 05/29/01				213
				appd	J. ALLISON 05/29/01			size	sheet
								A	3
sheet index	revision sheet							scale	

Pro/E

cage code **22526**

PDM: Rev:B

STATUS:Released

Printed: Dec 20, 2010