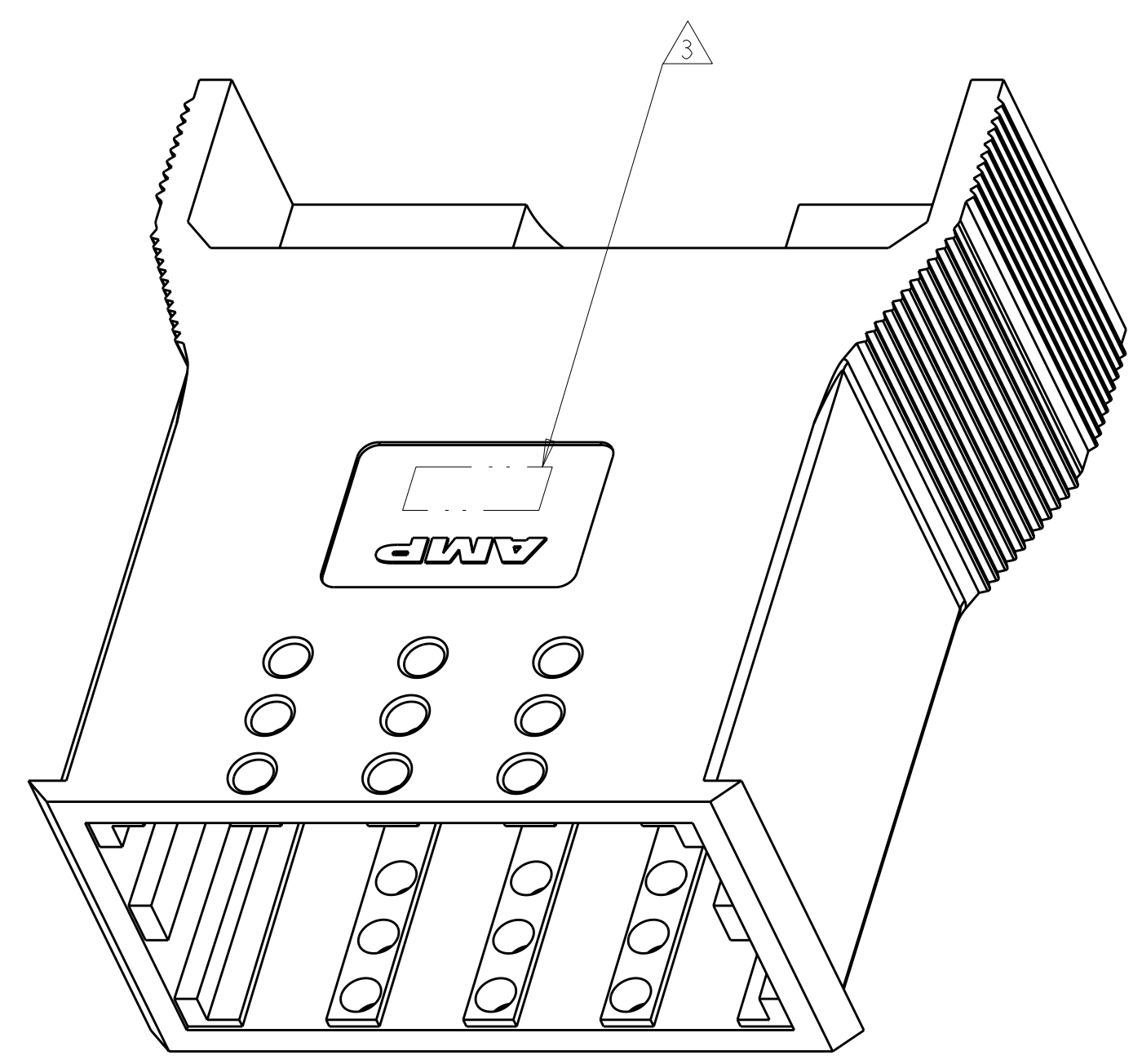
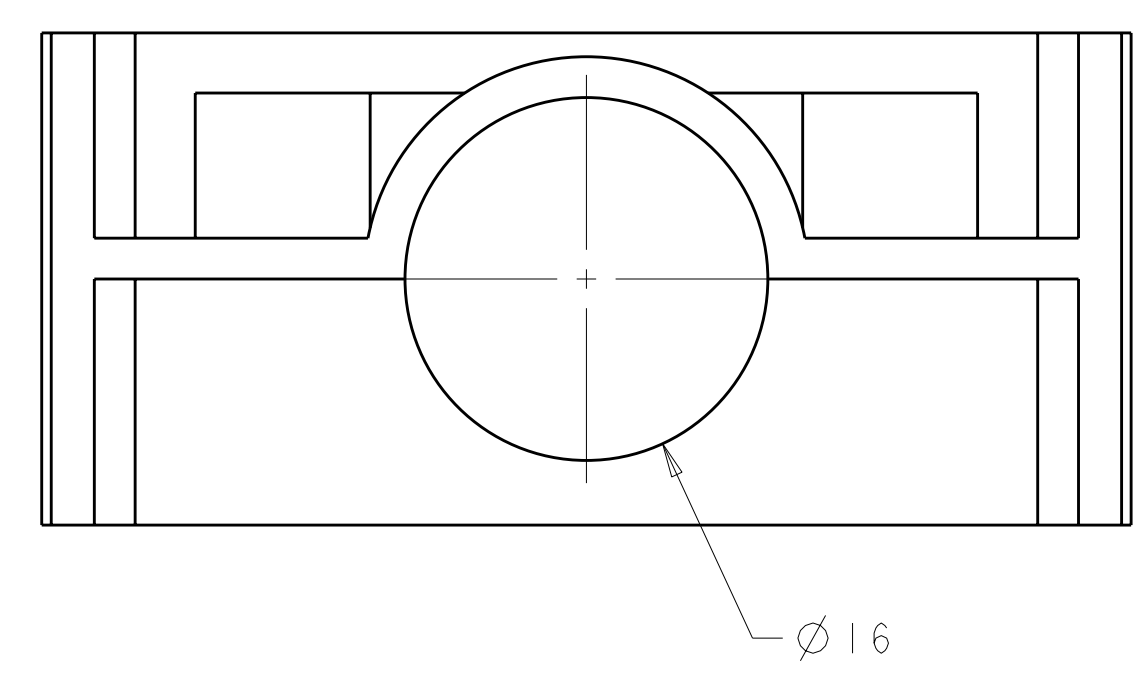
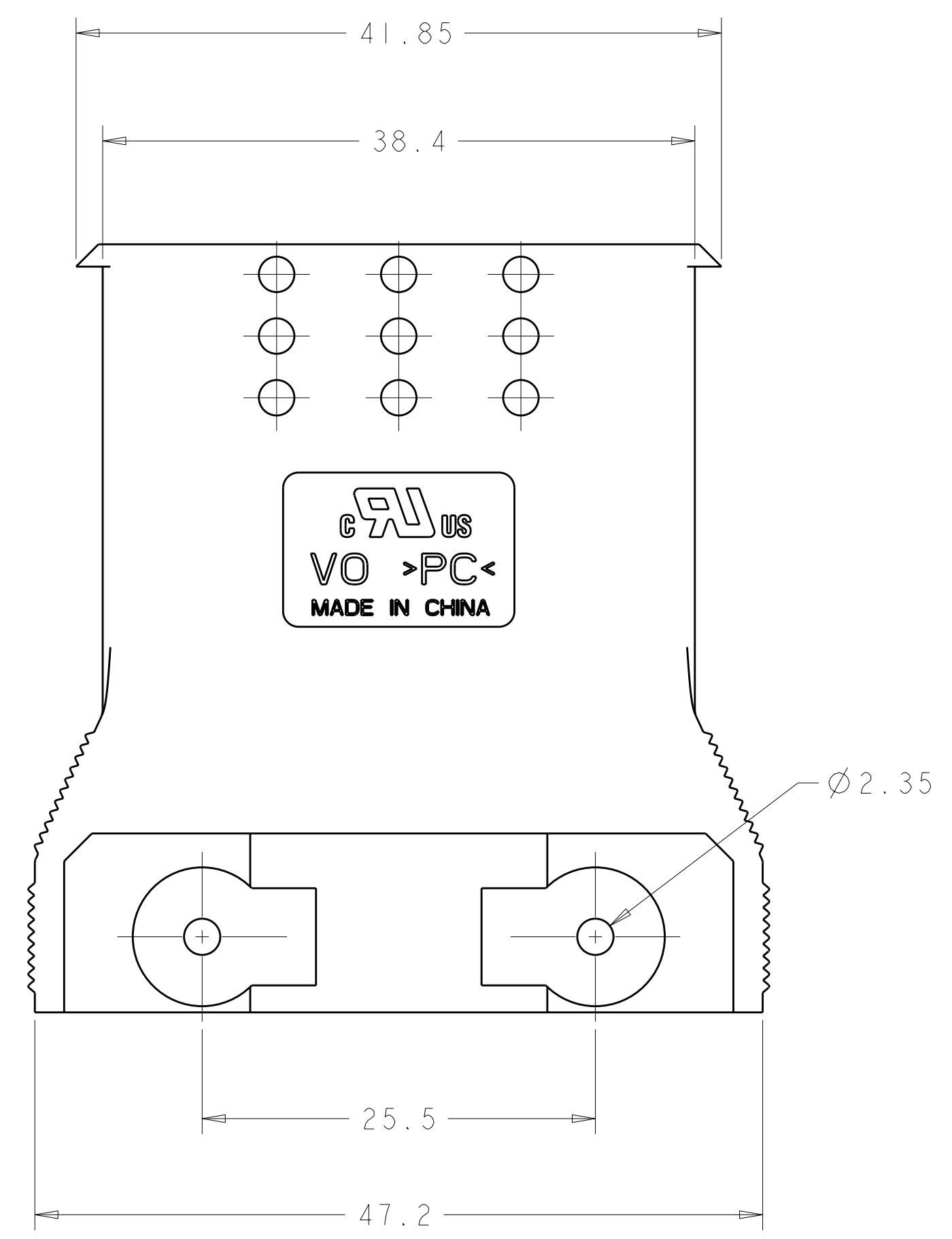
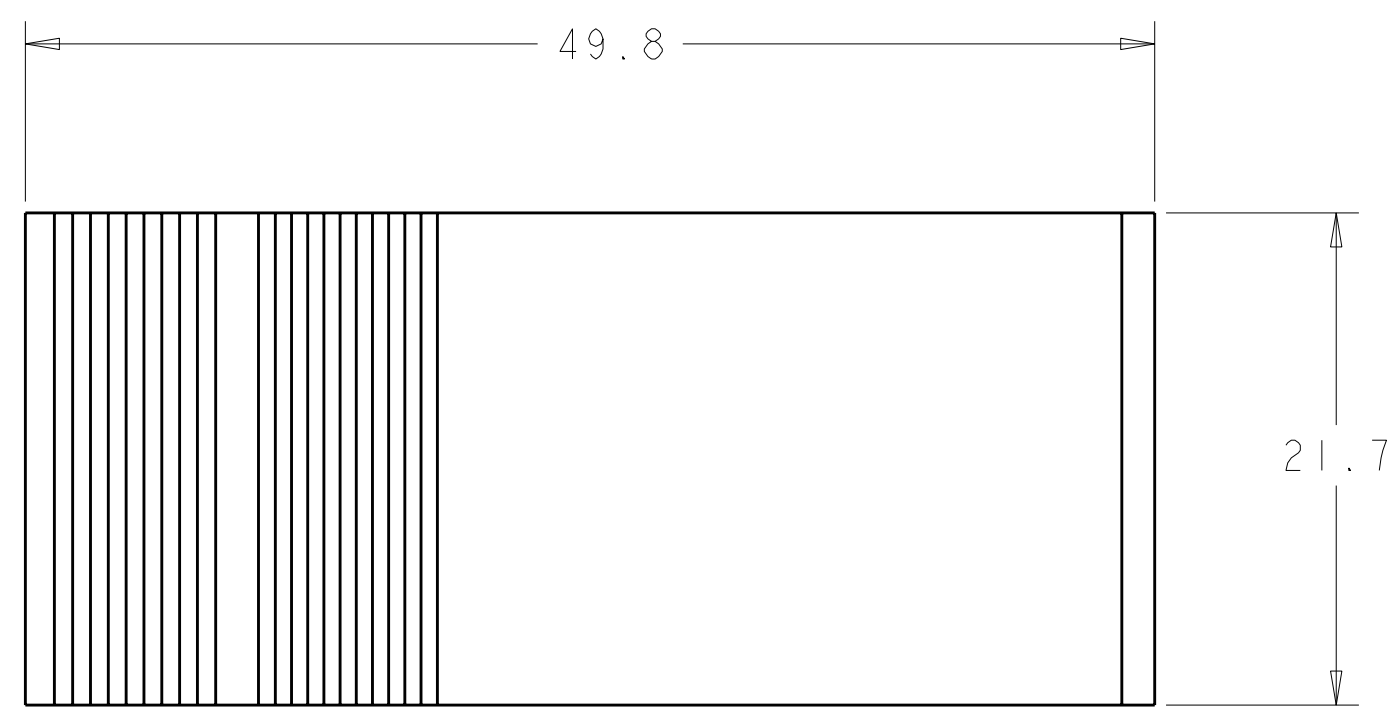


LOC		DIST		REVISIONS			
FT	0	REV	DATE	BY	CHK	APP	REV
		B	03JUN2011	REVISED PER ECO-11-005167		HMR	DY



1. MATERIAL: POLYCARBONATE 94-V0
2. COLOR: BLACK
3. TE OR TE CONNECTIVITY LOGO LOCATED APPROX IN THIS AREA.



1604082-1  
PART NUMBER

THIS DRAWING IS A CONTROLLED DOCUMENT.		DWN 09JAN2002 B. HAYMAKER		NAME	
DIMENSIONS:		CHK 14MAR02 K. KETELSLEGER		HOUSING, 2X4 POWER SERIES PLUG WITHOUT LATCH	
TOLERANCES UNLESS OTHERWISE SPECIFIED:		APVD 14MAR02 K. KETELSLEGER		SIZE CAGE CODE DRAWING NO RESTRICTED TO	
mm		PRODUCT SPEC		A100779C=1604082	
Ø		APPLICATION SPEC		SCALE 3:1 SHEET 1 OF 1 REV B	
MATERIAL		WEIGHT			
FINISH		CUSTOMER DRAWING			