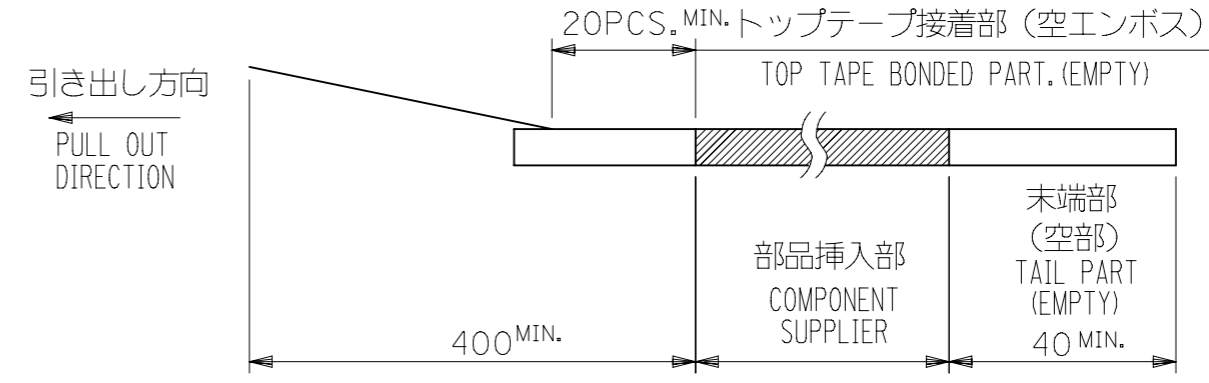
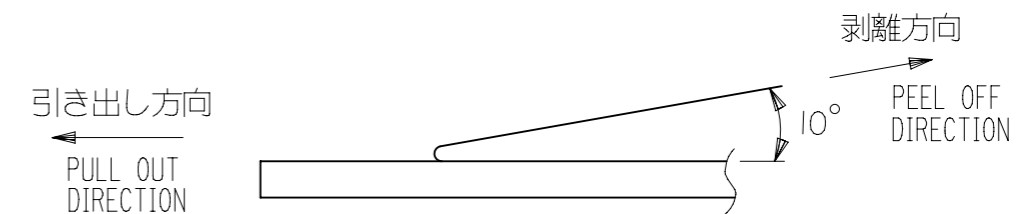


NOTES

- 1. 梱包数量：1000個/リール  
NUMBER OF CONNECTORS : 1000PCS/REEL
- 2. リードテープ長さ LEAD TAPE LENGTH



- 3. トップテープの剥離強度：0.1～1.3N {10gf～130gf} (剥離方向は下図参照)  
尚、本規格値は出荷時に適用。(但し、輸送時に剥離が発生しないこと。)  
PEELING OFF FORCE OF TOP TAPE : 0.1～1.3N {10gf～130gf}  
(PEELING DIRECTION AS SHOWN IN FOLLOWING FIG.)  
THIS REQUIREMENT SHOULD BE APPLIED AT SHIPMENT.  
PEEL OFF SHOULD NOT BE ALLOWED , DURING TRANSPORTATION.



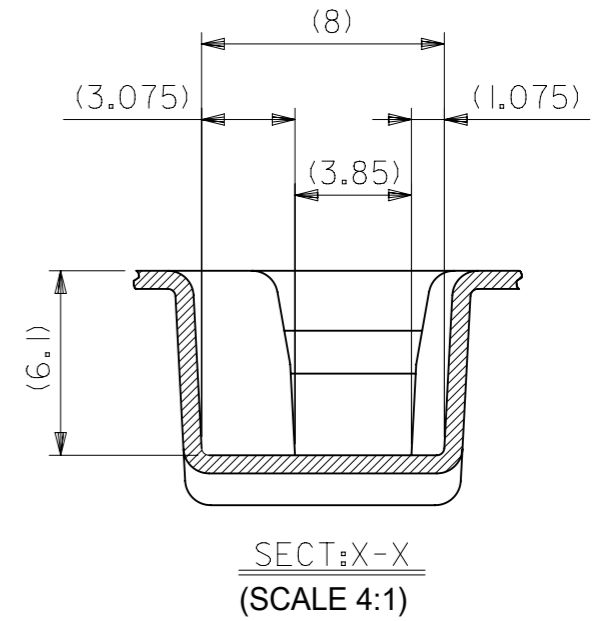
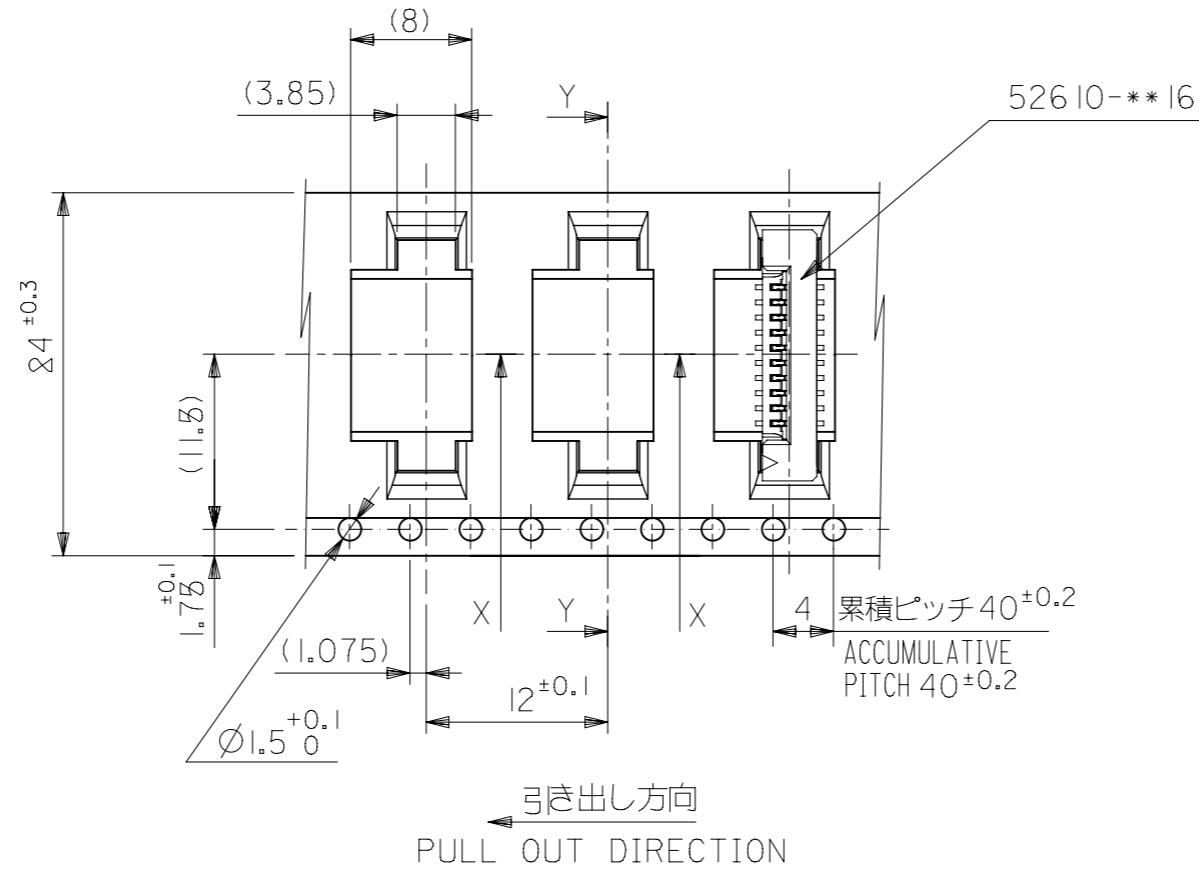
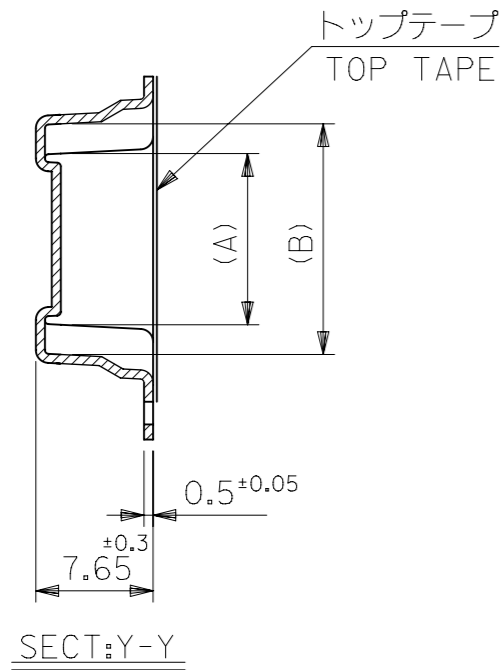
- 4. 52610-\*\*-16のアクチュエータはハウジング内に押し下げた状態とする。  
詳細寸法については 製品単体図面 を参照下さい。  
ACTUATOR OF PART NO. 52610-\*\*-16 SHOULD BE LOCKED.  
RE DETAILED DIMENSIONS , SEE SALES DRAWING FOR CONNECTOR.
- 5. 材料(MATERIAL)  
キャリアテープ(CARRIER TAPE)：ポリプロピレン(POLYPROPYLENE)  
トップテープ(TOPTAPE)：PET , PE , PEF  
リール(REEL)：ポリスチレン (PS) <リサイクル材を含む>  
POLYSTYREN(PS) <RECYCLE MATERIAL CONTAINED>
- 6. 本製品は 52610-\*\*-90 の鉛フリー品です
- 7. 本製品は乾燥剤入り、ハイバリア梱包仕様である。  
THIS PRODUCT IS HIGH BARRIER PACKAGE WITH DESICCANT.

GENERAL TOLERANCES (UNLESS SPECIFIED)	
10 <sup>UNDER</sup>	±0.2
10 <sup>OVER</sup> 30 <sup>UNDER</sup>	±0.25
30 <sup>OVER</sup>	±0.3
ANGULAR	±3°

THIS DRAWING CONTAINS INFORMATION THAT IS PROPRIETARY TO MOLEX ELECTRONIC TECHNOLOGIES, LLC AND SHOULD NOT BE USED WITHOUT WRITTEN PERMISSION
DIMENSION UNITS: mm
SCALE: NTS
GENERAL TOLERANCES (UNLESS SPECIFIED)
ANGULAR TOL ±
4 PLACES ±
3 PLACES ±
2 PLACES ±
1 PLACE ±
0 PLACES ±
DRAFT WHERE APPLICABLE MUST REMAIN WITHIN DIMENSIONS

CURRENT REV DESC:	
EC NO: 719890	2022/09/01
DRWN: DGONDO	2022/09/05
CHK'D: SMARUYAMA	2022/09/05
APPR: YNAITO	2022/09/05
INITIAL REVISION:	
DRWN: NAIDA	2005/08/08
APPR: NUKITA	2005/08/22

52610-**71		MODEL NO.	
<b>molex</b>			
1.0 FPC CONN SMT ZIF EMBSTP PKG -LEAD FREE-			
PRODUCT CUSTOMER DRAWING			
DOCUMENT NUMBER	DOC TYPE	DOC PART	REVISION
SD-52610-038	PSD	001	D
MATERIAL NUMBER	CUSTOMER	SHEET NUMBER	
SEE TABLE	GENERAL MARKET	1 OF 5	

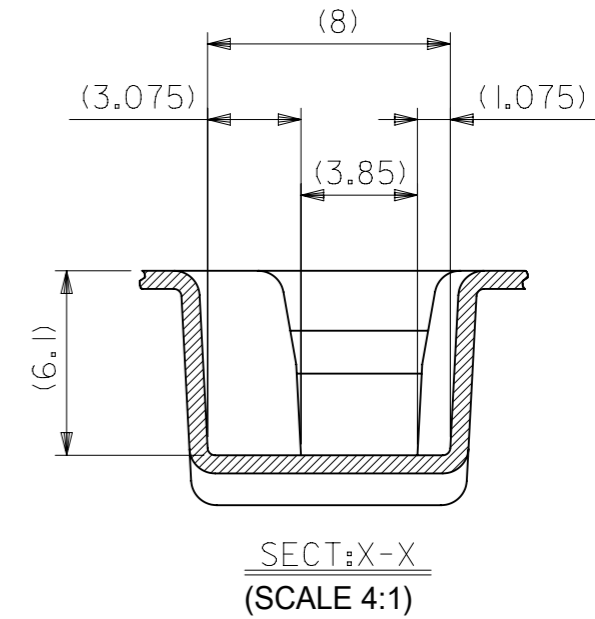
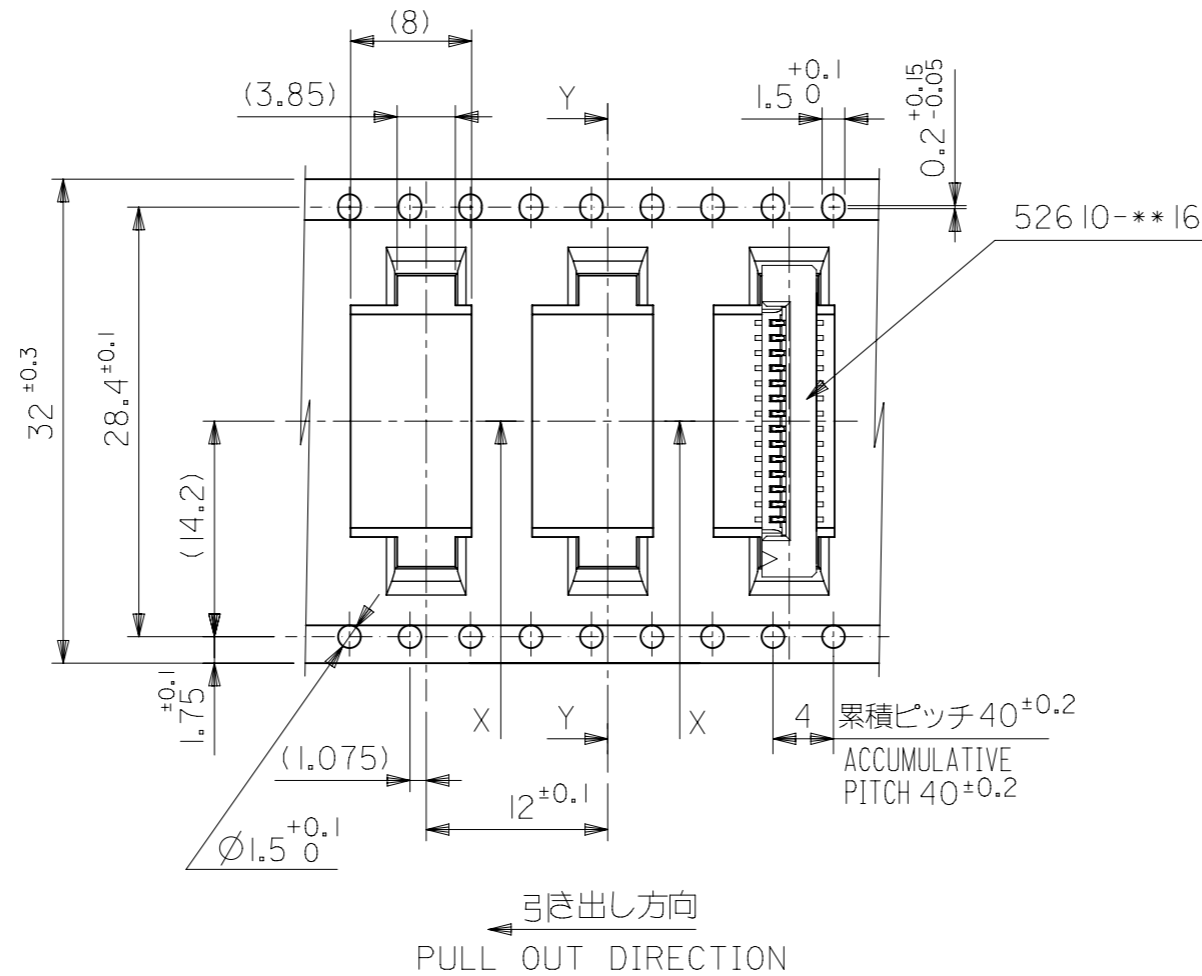
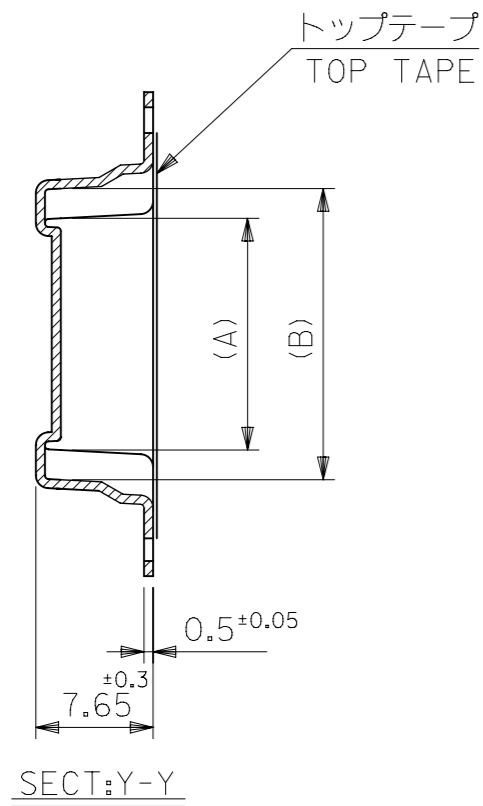


24	29.4	25.4	15.25	11.32	52610-1071	10
			14.25	10.32	52610-0971	9
			13.25	9.32	52610-0871	8
			12.25	8.32	52610-0771	7
			11.25	7.32	52610-0671	6
			10.25	6.32	52610-0571	5
キャリアテープ幅 CARRIER TAPE WIDTH	D	C	(B)	(A)	MATERIAL NO.	極数 CKT.

52610-\*\*-71 MODEL NO.

THIS DRAWING CONTAINS INFORMATION THAT IS PROPRIETARY TO MOLEX ELECTRONIC TECHNOLOGIES, LLC AND SHOULD NOT BE USED WITHOUT WRITTEN PERMISSION		CURRENT REV DESC:		<b>molex</b>				
DIMENSION UNITS	SCALE	EC NO: 719890						1.0 FPC CONN SMT ZIF EMBSTP PKG -LEAD FREE-
mm	NTS	DRWN: DGONDO 2022/09/01		PRODUCT CUSTOMER DRAWING				
GENERAL TOLERANCES (UNLESS SPECIFIED)		CHK'D: SMARUYAMA 2022/09/05		DOCUMENT NUMBER				
ANGULAR TOL ±		APPR: YNAITO 2022/09/05		SD-52610-038		DOC TYPE	DOC PART	REVISION
4 PLACES	±	INITIAL REVISION:		2005/08/08		PSD	001	D
3 PLACES	±	DRWN: NAIDA 2005/08/08		2005/08/22		SHEET NUMBER		
2 PLACES	±	APPR: NUKITA		SERIES		MATERIAL NUMBER		
1 PLACE	±	DRAFT WHERE APPLICABLE MUST REMAIN WITHIN DIMENSIONS		A3-SIZE		CUSTOMER		
0 PLACES	±	THIRD ANGLE PROJECTION		52610		GENERAL MARKET		

GENERAL TOLERANCES (UNLESS SPECIFIED)	
10 <sup>UNDER</sup>	±0.2
10 <sup>OVER</sup> 30 <sup>UNDER</sup>	±0.25
30 <sup>OVER</sup>	±0.3
ANGULAR	±3°

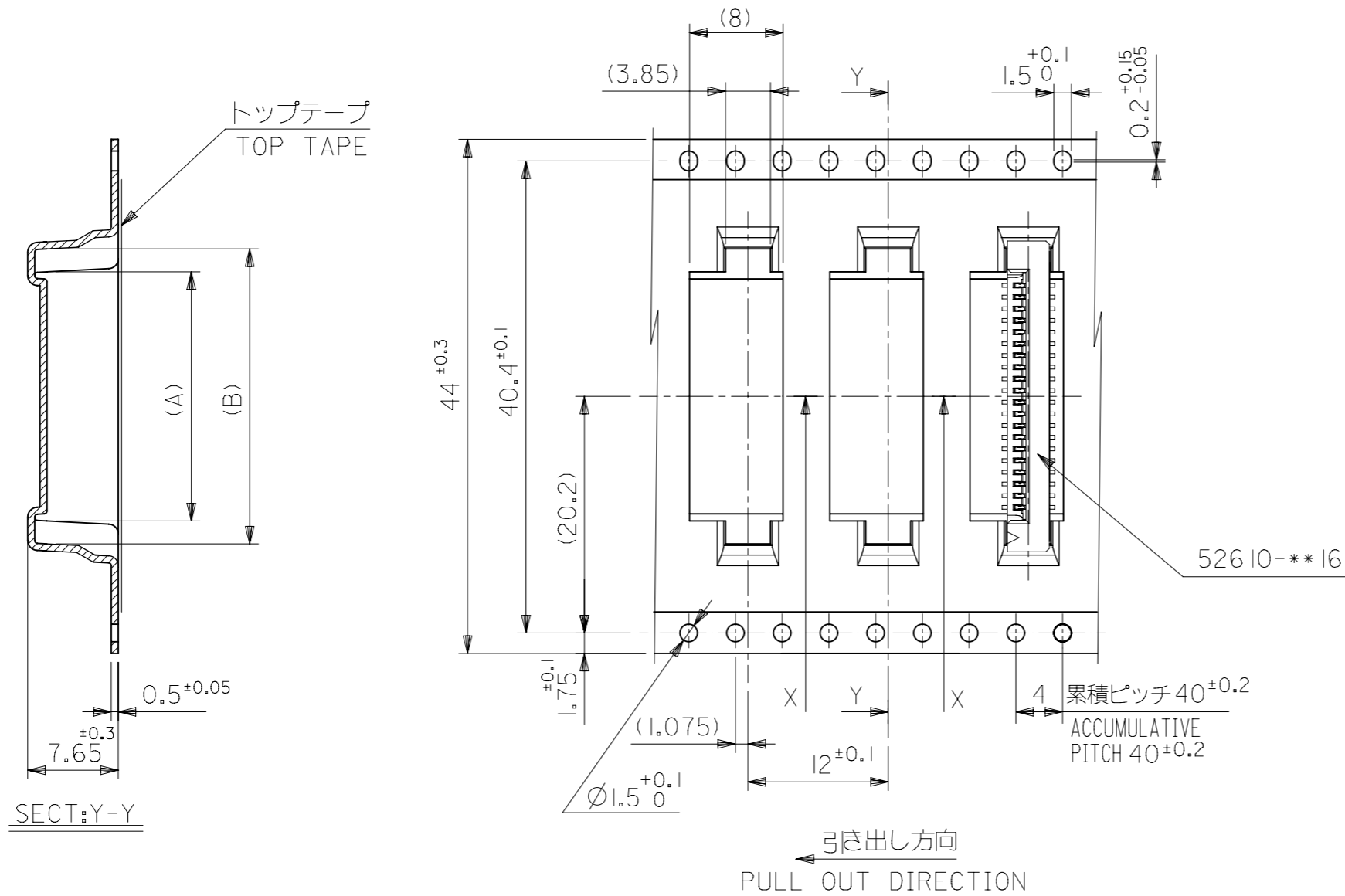


32	37.4	33.4	20.25	16.32	52610-1571	15
			19.25	15.32	52610-1471	14
			18.25	14.32	52610-1371	13
			17.25	13.32	52610-1271	12
			16.25	12.32	52610-1171	11
キャリアテープ幅 CARRIER TAPE WIDTH	D	C	(B)	(A)	MATERIAL NO.	極数 CKT.

52610-\*\*71 MODEL NO.

THIS DRAWING CONTAINS INFORMATION THAT IS PROPRIETARY TO MOLEX ELECTRONIC TECHNOLOGIES, LLC AND SHOULD NOT BE USED WITHOUT WRITTEN PERMISSION											
DIMENSION UNITS		SCALE		CURRENT REV DESC:							
mm		NTS		<b>molex</b> 1.0 FPC CONN SMT ZIF EMBSTP PKG -LEAD FREE- PRODUCT CUSTOMER DRAWING							
GENERAL TOLERANCES (UNLESS SPECIFIED)											
ANGULAR TOL ±											
4 PLACES ±											
3 PLACES ±											
2 PLACES ±				EC NO: 719890		2022/09/01		DOCUMENT NUMBER		DOC TYPE DOC PART REVISION	
1 PLACE ±				DRWN: NAIDA		2005/08/08		SD-52610-038		PSD 001 D	
0 PLACES ±				APP: NUKITA		2005/08/22		MATERIAL NUMBER		CUSTOMER	
DRAFT WHERE APPLICABLE MUST REMAIN WITHIN DIMENSIONS				THIRD ANGLE PROJECTION		DRAWING		SERIES		SHEET NUMBER	
				A3-SIZE		52610		SEE TABLE		GENERAL MARKET 3 OF 5	

GENERAL TOLERANCES (UNLESS SPECIFIED)	
10 <sup>UNDER</sup>	±0.2
10 <sup>OVER</sup> 30 <sup>UNDER</sup>	±0.25
30 <sup>OVER</sup>	±0.3
ANGULAR	±3°



44	49.4	45.4	31.25	27.32	52610-2671	26
			30.25	26.32	52610-2571	25
			29.25	25.32	52610-2471	24
			28.25	24.32	52610-2371	23
			27.25	23.32	52610-2271	22
			26.25	22.32	52610-2171	21
			25.25	21.32	52610-2071	20
			24.25	20.32	52610-1971	19
			23.25	19.32	52610-1871	18
			22.25	18.32	52610-1771	17
			21.25	17.32	52610-1671	16
キャリアテープ幅 CARRIER TAPE WIDTH	D	C	(B)	(A)	MATERIAL NO.	極数 CKT.

52610-\*\*71 MODEL NO.

THIS DRAWING CONTAINS INFORMATION THAT IS PROPRIETARY TO MOLEX ELECTRONIC TECHNOLOGIES, LLC AND SHOULD NOT BE USED WITHOUT WRITTEN PERMISSION									
DIMENSION UNITS		SCALE		CURRENT REV DESC:					
mm		NTS							
GENERAL TOLERANCES (UNLESS SPECIFIED)				GENERAL TOLERANCES (UNLESS SPECIFIED)					
ANGULAR TOL ±				ANGULAR TOL ±					
4 PLACES ±				4 PLACES ±					
3 PLACES ±				3 PLACES ±					
2 PLACES ±				2 PLACES ±					
1 PLACE ±				1 PLACE ±					
0 PLACES ±				0 PLACES ±					
DRAFT WHERE APPLICABLE MUST REMAIN WITHIN DIMENSIONS				THIRD ANGLE PROJECTION		DRAWING		SERIES	
				A3-SIZE		52610		MATERIAL NUMBER	
				SEE TABLE		GENERAL MARKET		CUSTOMER	
								SHEET NUMBER	
								4 OF 5	

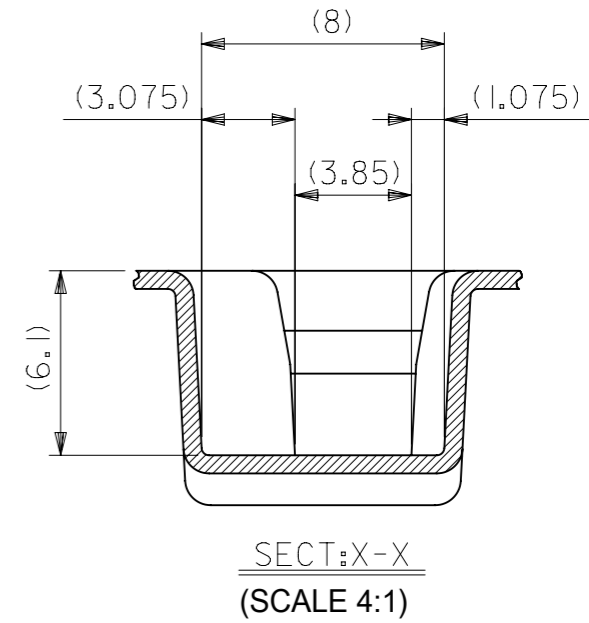
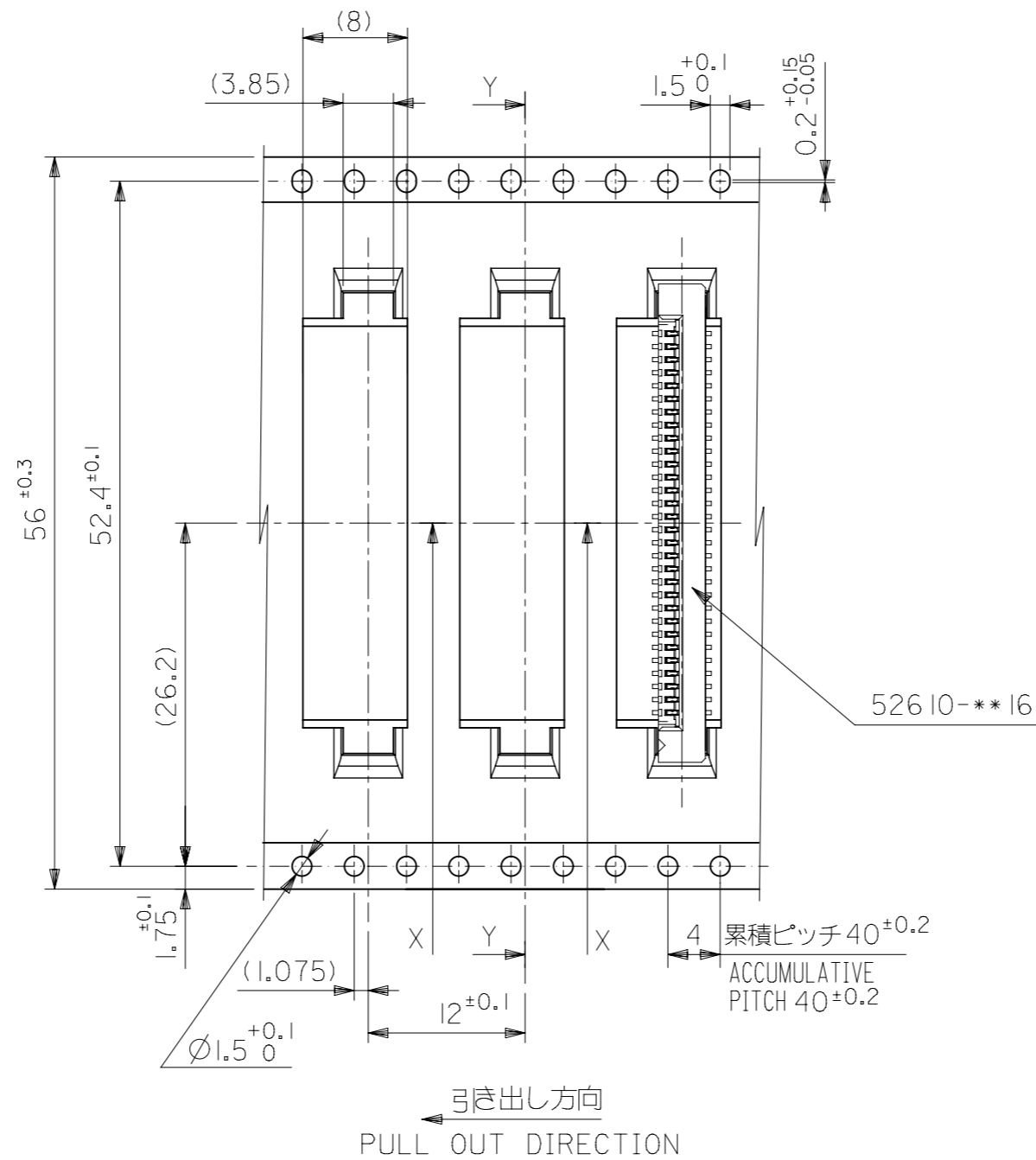
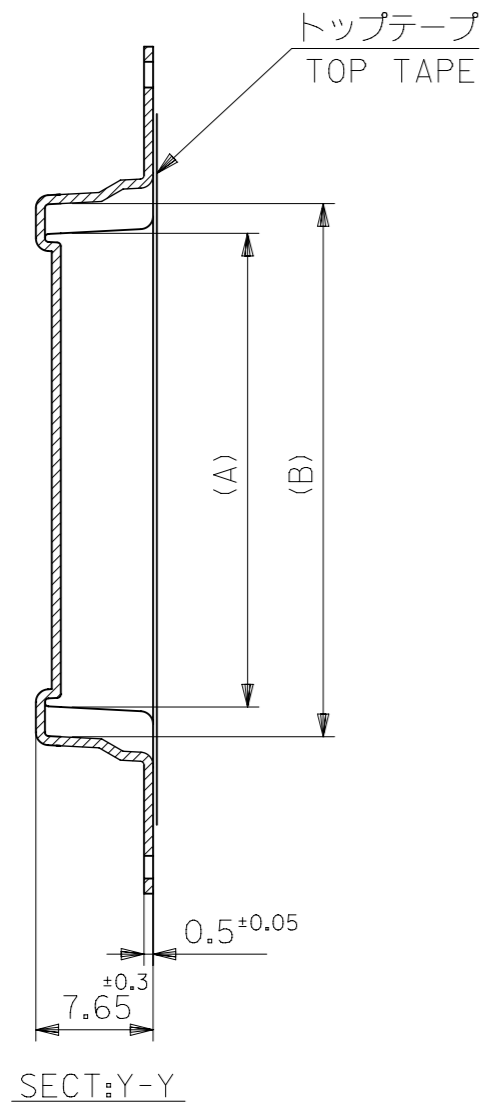
GENERAL TOLERANCES (UNLESS SPECIFIED)	
10 <sup>UNDER</sup>	±0.2
10 <sup>OVER</sup> 30 <sup>UNDER</sup>	±0.25
30 <sup>OVER</sup>	±0.3
ANGULAR	±3°

**molex**

1.0 FPC CONN SMT  
ZIF EMBSTP PKG -LEAD FREE-

PRODUCT CUSTOMER DRAWING

DOCUMENT NUMBER: SD-52610-038  
DOC TYPE: PSD  
DOC PART: 001  
REVISION: D



56	61.4	57.4	35.25	31.32	526 10-3071	30
			33.25	29.32	526 10-2871	28
キャリアテープ幅 CARRIER TAPE WIDTH	D	C	(B)	(A)	MATERIAL NO.	極数 CKT.

52610-\*\*71 MODEL NO.

THIS DRAWING CONTAINS INFORMATION THAT IS PROPRIETARY TO MOLEX ELECTRONIC TECHNOLOGIES, LLC AND SHOULD NOT BE USED WITHOUT WRITTEN PERMISSION									
DIMENSION UNITS		SCALE		CURRENT REV DESC:					
mm		NTS							
GENERAL TOLERANCES (UNLESS SPECIFIED)				GENERAL TOLERANCES (UNLESS SPECIFIED)					
ANGULAR TOL ±				ANGULAR TOL ±					
4 PLACES ±				4 PLACES ±					
3 PLACES ±				3 PLACES ±					
2 PLACES ±				2 PLACES ±					
1 PLACE ±				1 PLACE ±					
0 PLACES ±				0 PLACES ±					
DRAFT WHERE APPLICABLE MUST REMAIN WITHIN DIMENSIONS				THIRD ANGLE PROJECTION		DRAWING		SERIES	
				A3-SIZE		52610		MATERIAL NUMBER	
				SEE TABLE		GENERAL MARKET		CUSTOMER	
								SHEET NUMBER	
								5 OF 5	

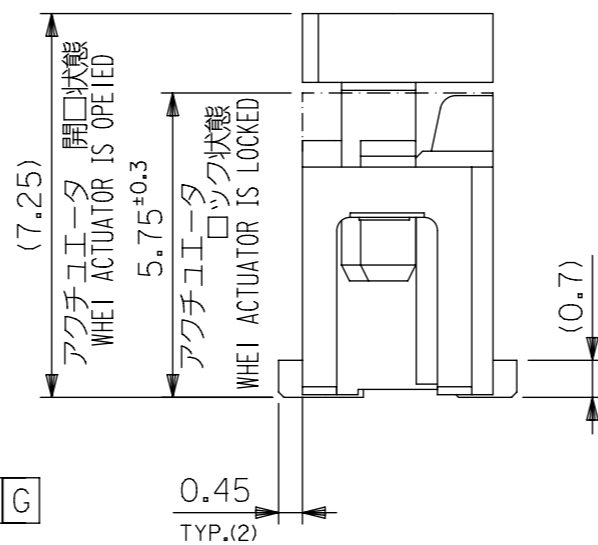
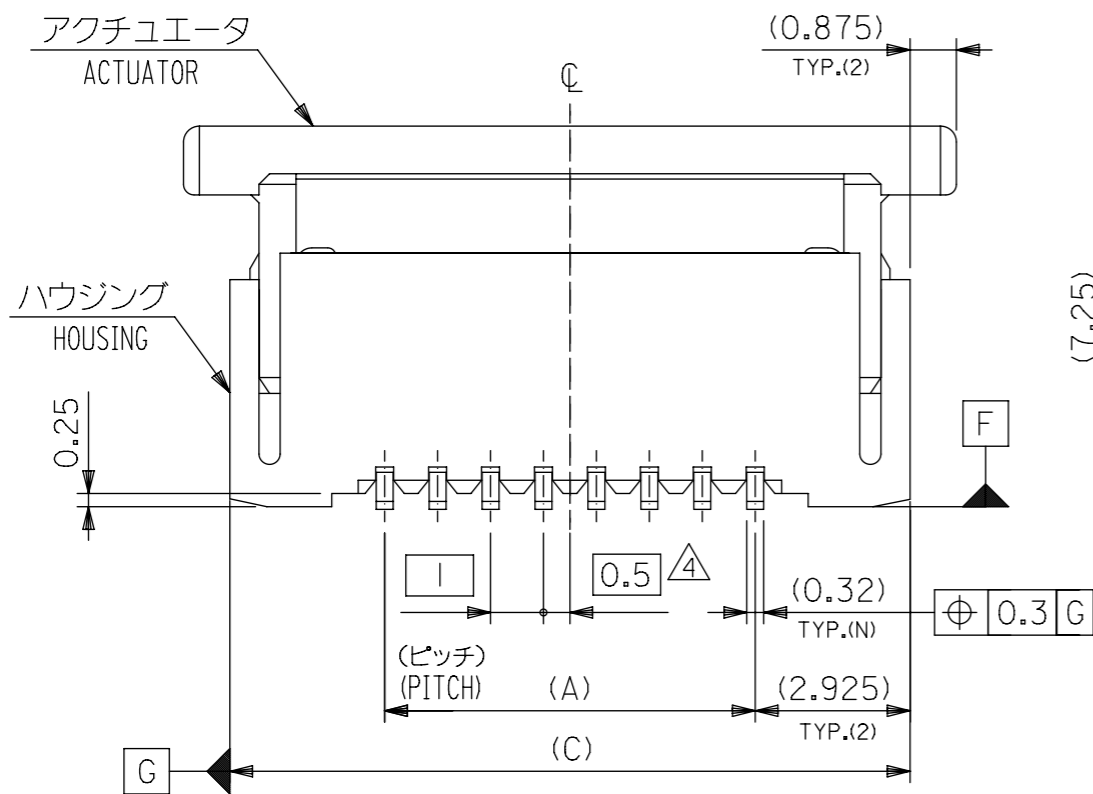
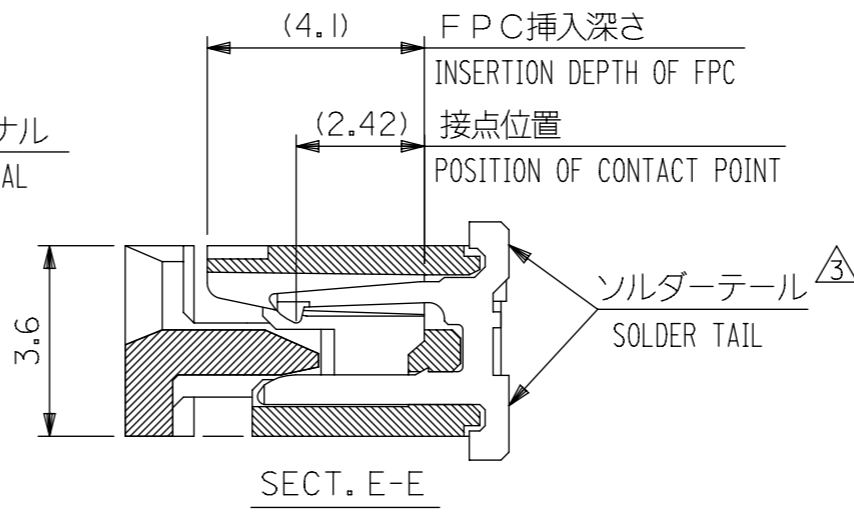
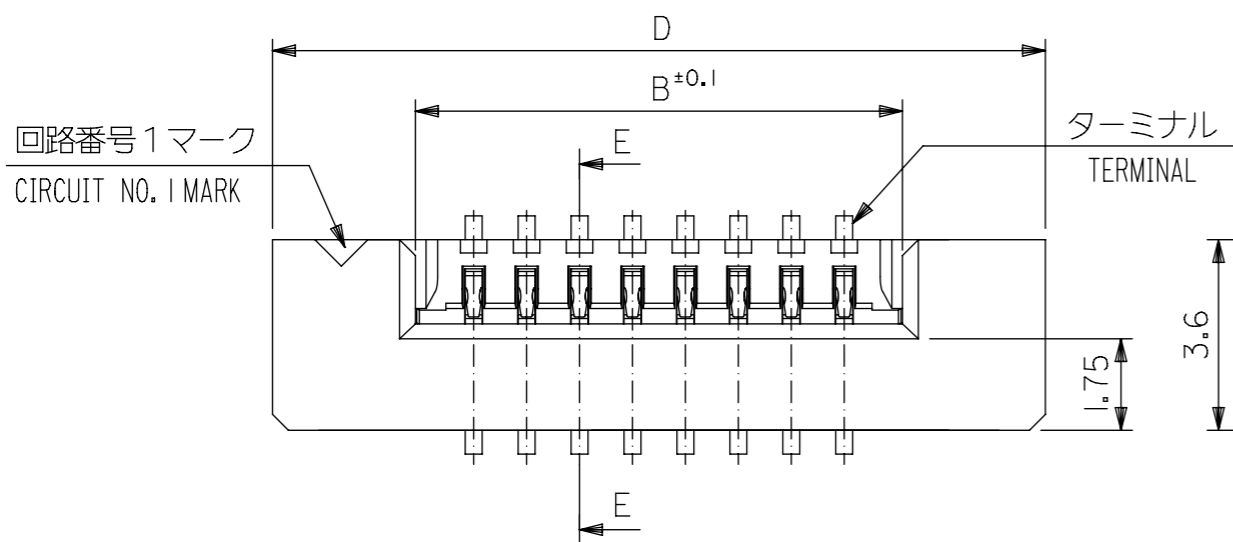
GENERAL TOLERANCES (UNLESS SPECIFIED)		
10 <sup>UNDER</sup>	±0.2	
10 <sup>OVER</sup> 30 <sup>UNDER</sup>	±0.25	
30 <sup>OVER</sup>	±0.3	
ANGULAR	±3°	

**molex**

1.0 FPC CONN SMT  
ZIF EMBSTP PKG -LEAD FREE-

PRODUCT CUSTOMER DRAWING

DOCUMENT NUMBER: SD-52610-038  
DOC TYPE: PSD  
DOC PART: 001  
REVISION: D

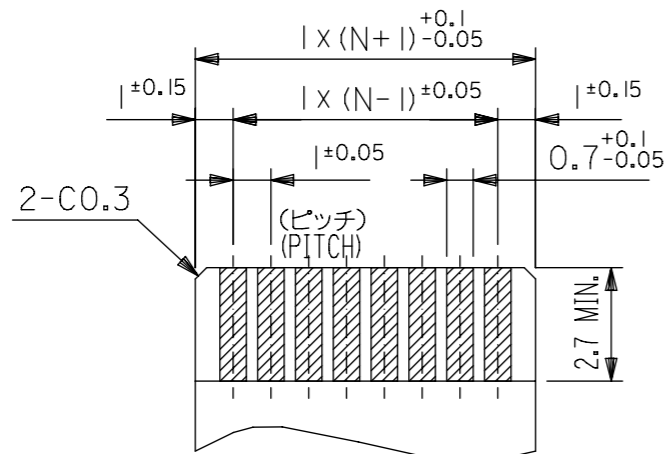


注記 (NOTES):

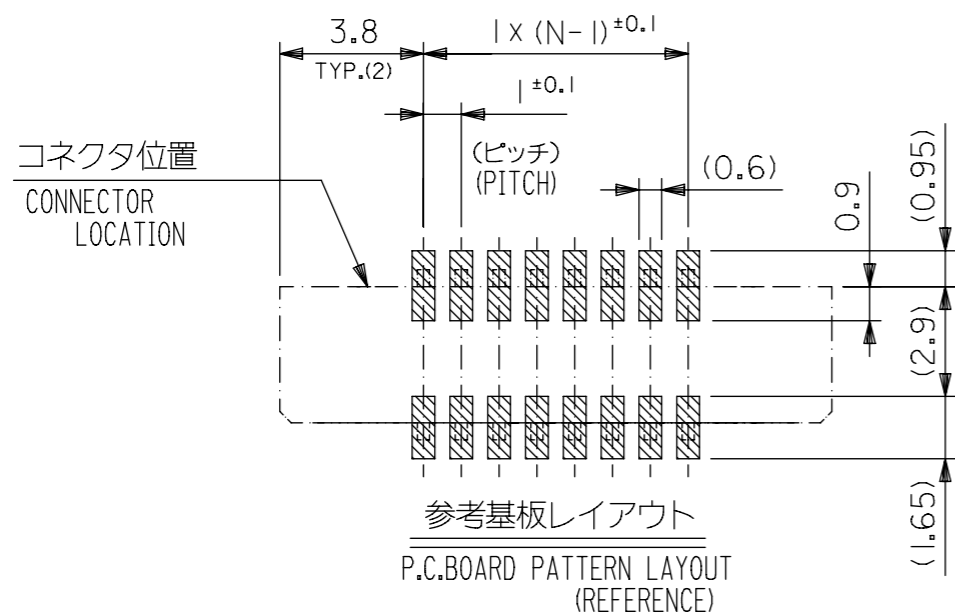
- 材料 (MATERIAL)  
 ハウジング (HOUSING): 46NYLON, UL94V-0  
 アクチュエータ (ACTUATOR): PPS, UL94V-0  
 ターミナル (TERMINAL): リン青銅 (+0.32)  
 PHOS-BRO  
 錫 (3%±1%) ビスマスメッキ 1.0マイクロメートル以上  
 TIN (3%±1%) BISMUTH 1.0 MICROMETER MINIMUM  
 ニッケル下地 1.0マイクロメートル以上  
 NICKEL (UNDER PLATING) 1.0 MICROMETER MINIMUM
- エンボステープ梱包時は、アクチュエータがロックした状態とする。  
 IN THE PACKAGE, ACTUATOR OF PART NO. 52610-\*\*16 SHOULD BE LOCKED.
- △3 ソルダータール半田付け面のズレ量は、基準面 [F] に対し上方向 0.05 MAX., 下方向 0.15 MAX. とする。  
 MISALIGNMENT OF SOLDER TAILS FROM [F] UPPER DIRECTION : 0.05 MAX., LOWER DIRECTION : 0.15 MAX.
- △4 偶数極に適用。  
 APPLY FOR EVEN CIRCUIT.
- 本製品は 52610-\*\*17 の鉛フリー品です

THIS DRAWING CONTAINS INFORMATION THAT IS PROPRIETARY TO MOLEX ELECTRONIC TECHNOLOGIES, LLC AND SHOULD NOT BE USED WITHOUT WRITTEN PERMISSION		CURRENT REV DESC:		<b>molex</b>	
DIMENSION UNITS	SCALE				
mm	NTS			1.0 FPC CONNECTOR Z.I.F. FOR SMT.(ST.) -LEAD FREE-	
GENERAL TOLERANCES (UNLESS SPECIFIED)		GENERAL TOLERANCES (UNLESS SPECIFIED)		PRODUCT CUSTOMER DRAWING	
ANGULAR TOL ± °		ANGULAR TOL ± °		DOCUMENT NUMBER	
4 PLACES ±		4 PLACES ±		SD-52610-041	
3 PLACES ±		3 PLACES ±		DOC TYPE	
2 PLACES ±		2 PLACES ±		PSD	
1 PLACE ±		1 PLACE ±		DOC PART	
0 PLACES ±		0 PLACES ±		001	
DRAFT WHERE APPLICABLE MUST REMAIN WITHIN DIMENSIONS		THIRD ANGLE PROJECTION		REVISION	
				H	
EC NO: 745355		DRWN: RAJMOK		2023/04/06	
CHK'D: HSHIMOYAMA		APPR: HSHIMOYAMA		2023/04/07	
INITIAL REVISION:		DRWN: MNAIBEI		2006/04/17	
		APPR: NUKITA		2006/04/20	
SERIES		MATERIAL NUMBER		CUSTOMER	
A3-SIZE		52610		GENERAL MARKET	
SHEET NUMBER		1 OF 2			

GENERAL TOLERANCES (UNLESS SPECIFIED)	
10 <sup>UNDER</sup>	±0.2
10 <sup>OVER</sup> 30 <sup>UNDER</sup>	±0.25
30 <sup>OVER</sup>	±0.3
ANGULAR	±3°



適合FPC推奨寸法  
 APPLICABLE FPC RECOMMENDED DIM.  
 仕上がり厚さ(THICKNESS): 0.3<sup>+0.05</sup>



参考基板レイアウト  
 P.C.BOARD PATTERN LAYOUT  
 (REFERENCE)

FPCについて:  
 打抜き方向は導体側から補強板側を推奨致します。  
 補強フィルム材質はポリイミドを推奨致します。  
 接着剤は熱硬化接着剤を推奨致します。

ABOUT FPC:  
 RECOMMENDED PUNCHER DIRECTION : FROM CONDUCTOR SIDE TO STIFFENER BOARD SIDE.  
 RECOMMENDED MATERIAL :  
 STIFFENER FILM : POLYIMIDE  
 BONDING AGENT : THERMOSETTING BONDING AGENT

36.6	34.85	31.2	29	52610-3071	30
34.6	32.85	29.2	27	-2871	28
32.6	30.85	27.2	25	-2671	26
31.6	29.85	26.2	24	-2571	25
30.6	28.85	25.2	23	-2471	24
29.6	27.85	24.2	22	-2371	23
28.6	26.85	23.2	21	-2271	22
27.6	25.85	22.2	20	-2171	21
26.6	24.85	21.2	19	-2071	20
25.6	23.85	20.2	18	-1971	19
24.6	22.85	19.2	17	-1871	18
23.6	21.85	18.2	16	-1771	17
22.6	20.85	17.2	15	-1671	16
21.6	19.85	16.2	14	-1571	15
20.6	18.85	15.2	13	-1471	14
19.6	17.85	14.2	12	-1371	13
18.6	16.85	13.2	11	-1271	12
17.6	15.85	12.2	10	-1171	11
16.6	14.85	11.2	9	-1071	10
15.6	13.85	10.2	8	-0971	9
14.6	12.85	9.2	7	-0871	8
13.6	11.85	8.2	6	-0771	7
12.6	10.85	7.2	5	-0671	6
11.6	9.85	6.2	4	52610-0571	5
D	(C)	B	(A)	MATERIAL NO.	CKT.

THIS DRAWING CONTAINS INFORMATION THAT IS PROPRIETARY TO MOLEX ELECTRONIC TECHNOLOGIES, LLC AND SHOULD NOT BE USED WITHOUT WRITTEN PERMISSION

DIMENSION UNITS <b>mm</b>	SCALE <b>NTS</b>	CURRENT REV DESC:		<b>molex</b>		
GENERAL TOLERANCES (UNLESS SPECIFIED)		EC NO: 745355				
ANGULAR TOL ± °	4 PLACES ±	DRWN: RAJMOK 2023/04/06		PRODUCT CUSTOMER DRAWING		
3 PLACES ±	2 PLACES ±	CHK'D: HSHIMOYAMA 2023/04/07		DOCUMENT NUMBER		
1 PLACE ±	0 PLACES ±	APPR: HSHIMOYAMA 2023/04/07		SD-52610-041		
DRAFT WHERE APPLICABLE MUST REMAIN WITHIN DIMENSIONS		INITIAL REVISION:		DOC TYPE DOC PART REVISION		
THIRD ANGLE PROJECTION		DRWN: MNABEI 2006/04/17		PSD 001 H		
DRAWING		APPR: NUKITA 2006/04/20		CUSTOMER		
SERIES		MATERIAL NUMBER		SHEET NUMBER		
A3-SIZE		52610		SEE TABLE GENERAL MARKET 2 OF 2		

GENERAL TOLERANCES (UNLESS SPECIFIED)	
10 <sup>UNDER</sup>	±0.2
10 <sup>OVER</sup> 30 <sup>UNDER</sup>	±0.25
30 <sup>OVER</sup>	±0.3
ANGULAR	±3 °