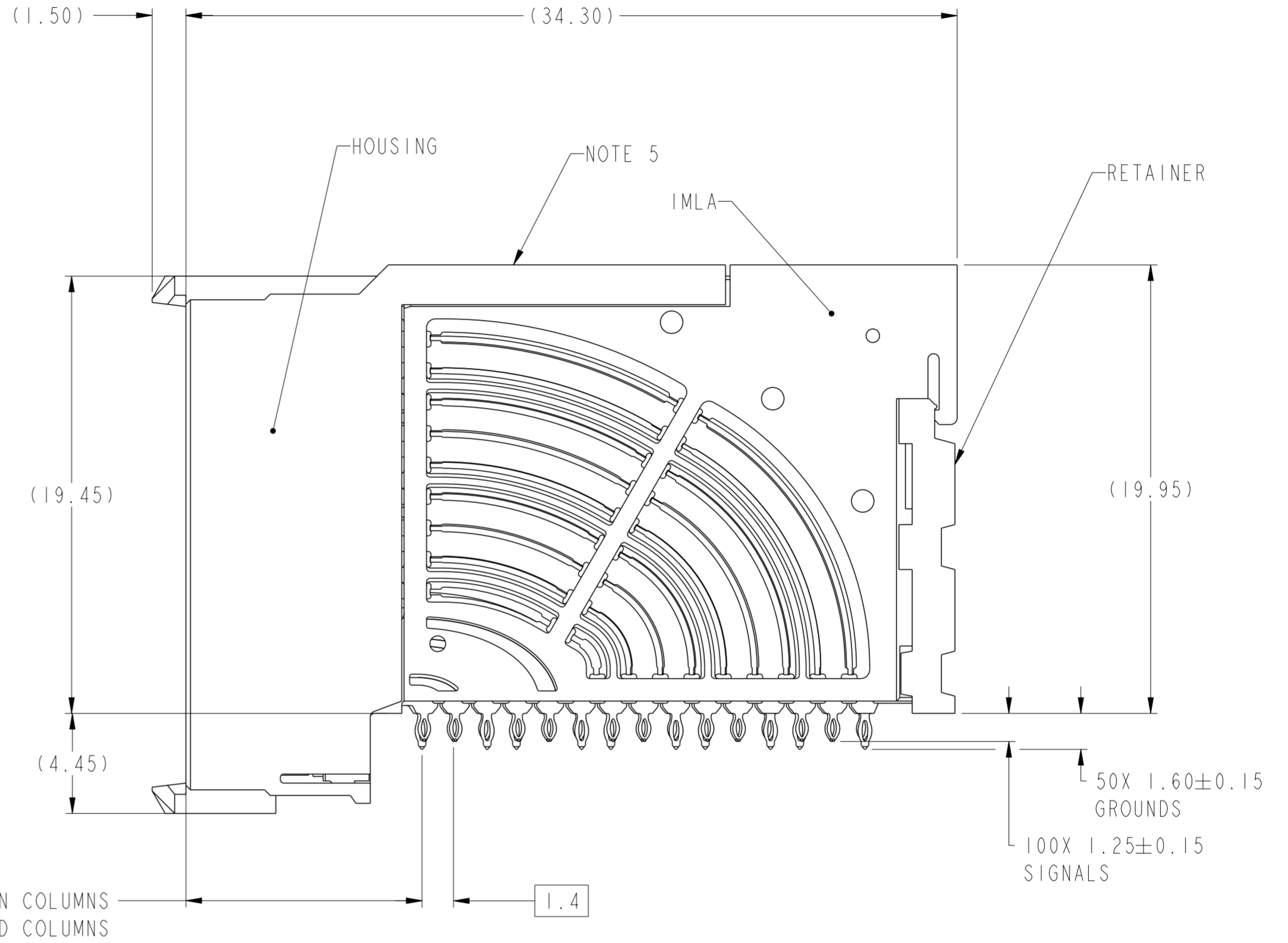
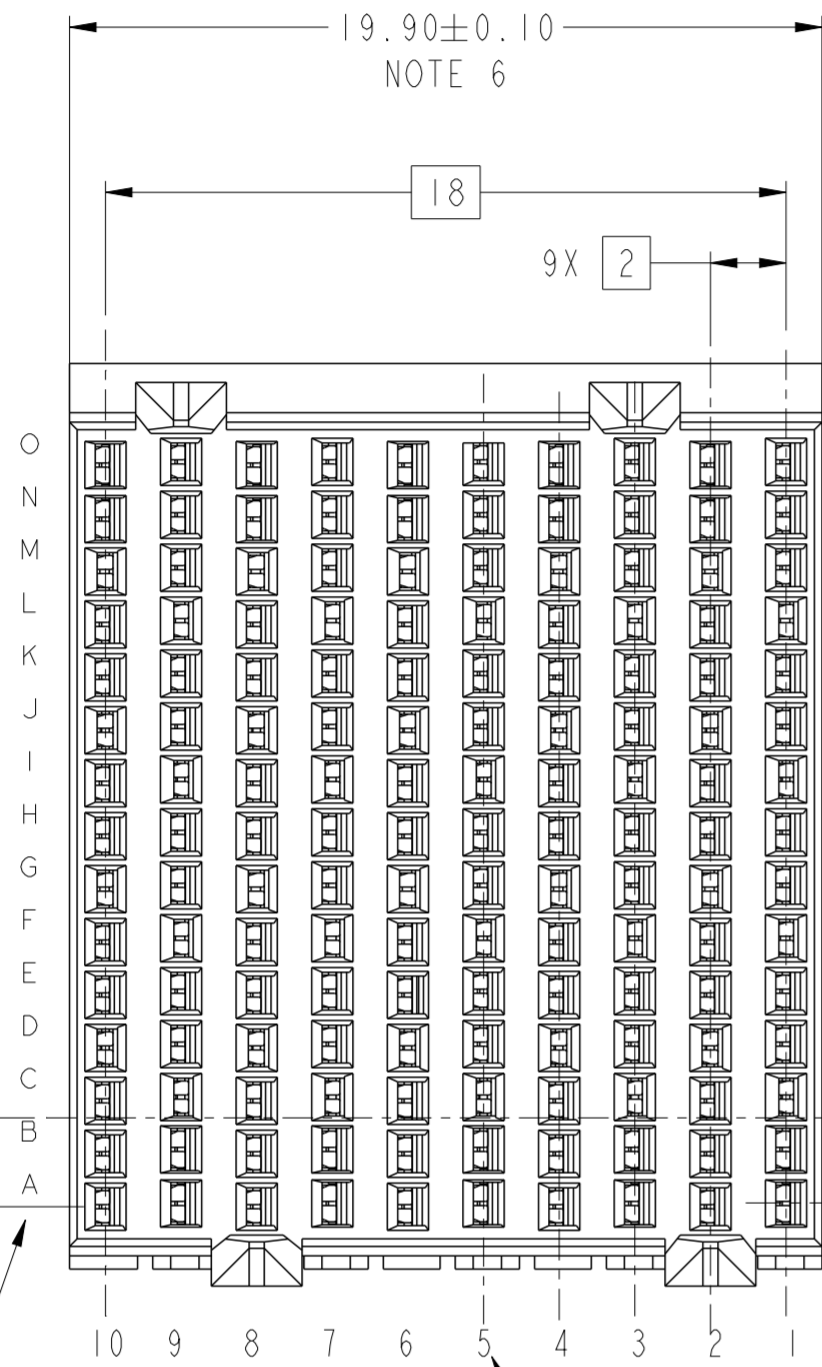


PRODUCT NUMBER
SEE SHEET 3



10.50 ϕ EVEN COLUMNS
10.60 ϕ ODD COLUMNS

COLUMN ID
ODD COLUMN, CONTACT ROW ID

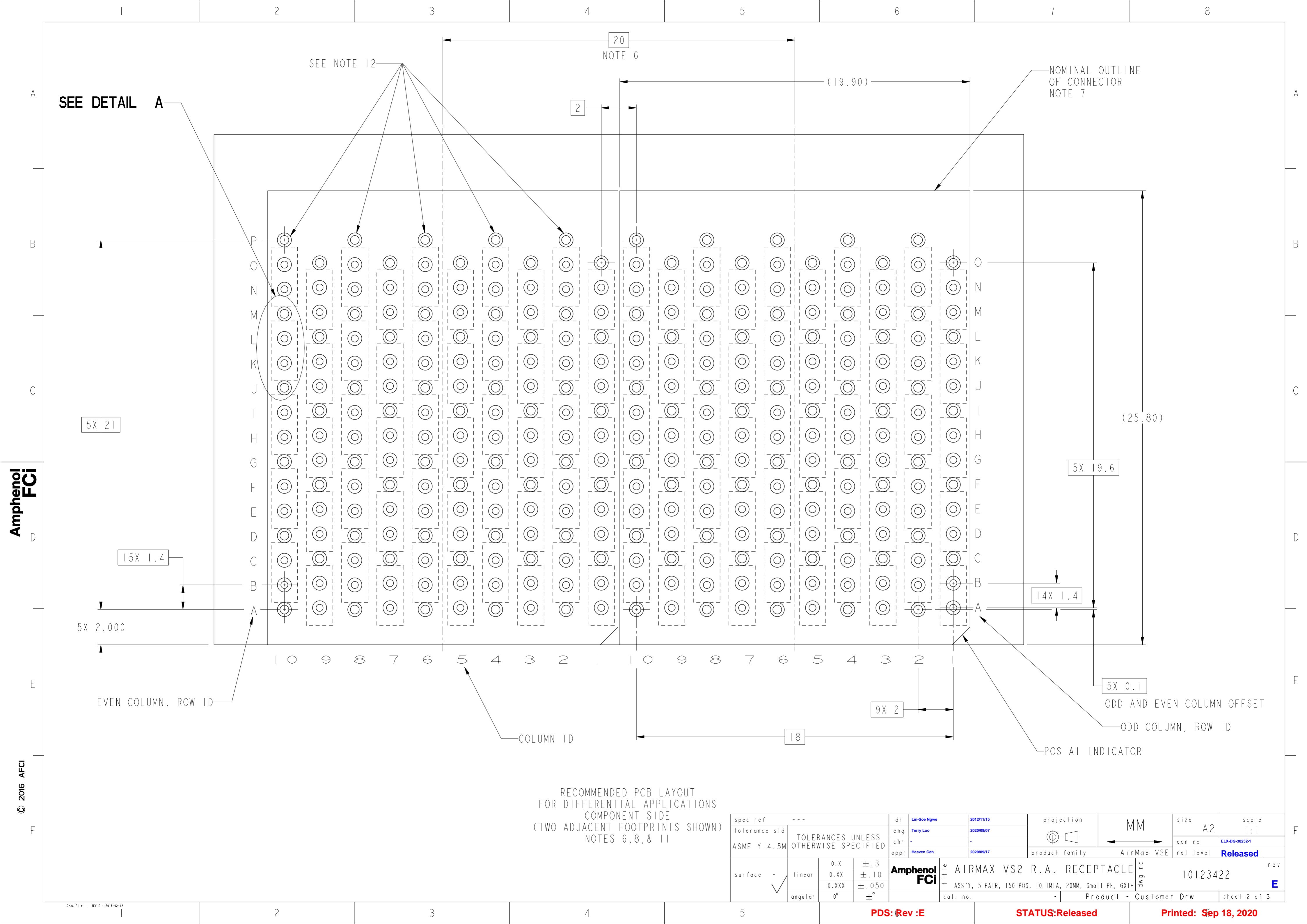
EVEN COLUMN, CONTACT ROW ID
ODD AND EVEN COLUMNS ARE OFFSET

spec ref	---	dr	Lin-Soe Ngwe	2012/11/15	projection	MM	size	A2	scale	1:1
tolerance std	ASME Y14.5M	eng	Terry Luo	2020/09/07	chr	-	ecn no	ELX-DG-38252-1	rel level	Released
TOLERANCES UNLESS OTHERWISE SPECIFIED		appr	Heaven Cen	2020/09/17	product family	AirMax VSE	rel level	Released		
surface	linear	0.X	±.3	Amphenol FCi	title		AIRMAX VS2 R.A. RECEPTACLE	10123422	rev	E
		0.XX	±.10		ASS'Y, 5 PAIR, 150 POS, 10 IMLA, 20MM, Small PF, GXT					
		0.XXX	±.050		cat. no.					
	angular	0°	±°	Product - Customer Drw		sheet 1 of 3				

PDS: Rev :E

STATUS:Released

Printed: Sep 18, 2020



RECOMMENDED PCB LAYOUT
 FOR DIFFERENTIAL APPLICATIONS
 COMPONENT SIDE
 (TWO ADJACENT FOOTPRINTS SHOWN)
 NOTES 6, 8, & 11

spec ref	---	dr	Lin-Soo Ngwe	2012/1/15	projection	MM	size	A2	scale	1:1
tolerance std	ASME Y14.5M	eng	Terry Luo	2020/09/07			ecn no	ELX-DG-38252-1		
TOLERANCES UNLESS OTHERWISE SPECIFIED		chr	-	rel level				Released		
surface	-	appr	Heaven Cen	2020/09/17	product family	AirMax VSE	rel level	Released		
linear	0.X ±.3			AIRMAX VS2 R.A. RECEPTACLE ASS'Y, 5 PAIR, 150 POS, 10 IMLA, 20MM, Small PF, GXT+		10123422		rev E		
	0.XX ±.10									
	0.XXX ±.050									
angular	0° ±°	cat. no.	-		Product - Customer Drw	sheet 2 of 3				

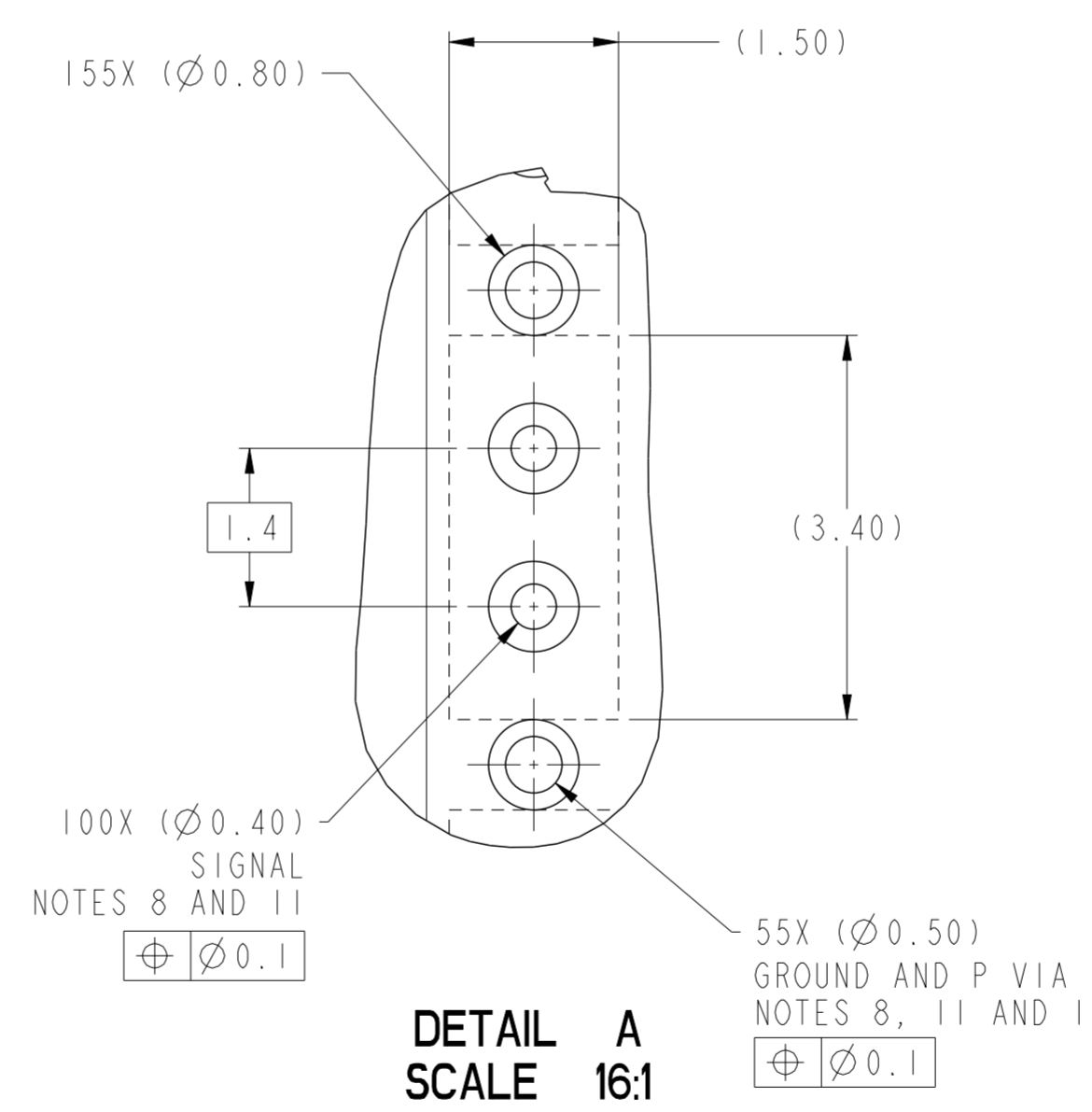
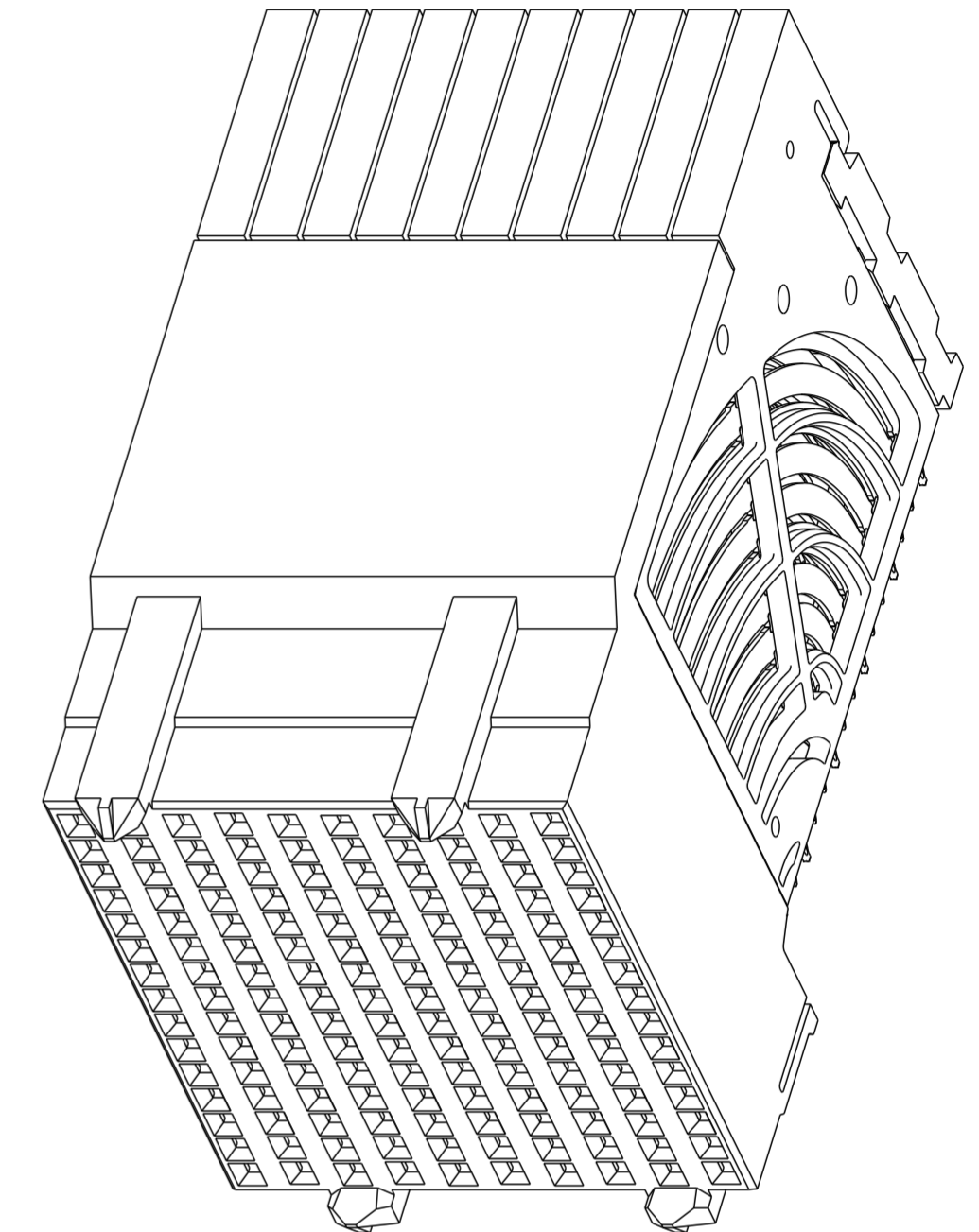
Amphenol
FCI

© 2016 AFci

PRODUCT NUMBER	PRESS-FIT TAIL PLATING TYPE
10123422-101LF	TIN OVER NICKEL (LEAD FREE)

- ① - CONNECTOR MATERIALS:
HOUSING: HIGH TEMP THERMOPLASTIC, NATURAL, UL94-V0
IMLA PLASTIC: HIGH TEMP THERMOPLASTIC, BLACK, UL94-V0
CONTACT: COPPER ALLOY
ORGANIZER: HIGH TEMP THERMOPLASTIC, NATURAL, UL94-V0
- 2 - CONTACT PLATING:
SEPARABLE INTERFACE:
PERFORMANCE-BASED PLATING, QUALIFIED TO MEET THE REQUIREMENTS OF FCI PRODUCT SPECIFICATION GS-12-0956 INCLUDING TELCORDIA GR-1217-CORE (NOVEMBER 1995) CENTRAL OFFICE TEST SEQUENCE

PRESS-FIT TAILS: SEE TABLE
- 3 - PRODUCT SPECIFICATION: GS-12-0956
- 4 - APPLICATION SPECIFICATION: GS-20-0305.
- ⑤ - PRODUCT MARKING, (PROTOTYPE, PART NUMBER & LOT CODE), ON THIS SURFACE.
- ⑥ - THE MINIMUM CENTERLINE SPACING BETWEEN ADJACENT MODULES IS 20.0 MM.
- ⑦ - CONNECTOR OUTLINE MAY BE SCREEN PRINTED ONTO CUSTOMER PCB TO BE USED AS A GUIDE FOR MANUAL CONNECTOR PLACEMENT.
- ⑧ - REFER TO CUSTOMER DRAWING 10104444 FOR INFORMATION ON PCB HOLE DIAMETERS AND PLATING OPTIONS
- 9 - LEAD FREE PRODUCT MEETS THE EUROPEAN UNION DIRECTIVES & OTHER COUNTRY REGULATIONS AS DESCRIBED IN GS-22-008
- 10 - PACKAGING MEETS GS-14-920 LEAD FREE LABELING SPECIFICATION.
- ⑪ - GROUND CONTACTS (C,F,I,L AND O IN ODD COLUMNS AND A,D,G,J AND M, EVEN COLUMNS) REQUIRE (Ø0.500) FINISHED HOLES. SIGNAL LOCATIONS REQUIRE (Ø0.400) FINISHED HOLES.
- ⑫ - THESE OUTER VIAS (P) ARE OPTIONAL. WHILE NO CONNECTOR PINS ARE PRESSED INTO THESE HOLES, WE RECOMMEND (Ø 0.500) FINISHED HOLES AT THESE LOCATIONS TO PROVIDE GROUND SYMMETRY THROUGH THE PCB



10123422-101LF
SCALE 4:1

spec ref	---	dr	Lin-Soo Ngwe	2012/11/15	projection	MM	size	A2	scale	4:1											
tolerance std	ASME Y14.5M	eng	Terry Luo	2020/09/07			ecn no	ELX-DG-38252-1													
TOLERANCES UNLESS OTHERWISE SPECIFIED		chr	-				rel level	Released													
surface	<table border="1"> <tr> <td>linear</td> <td>0.X</td> <td>±.3</td> </tr> <tr> <td></td> <td>0.XX</td> <td>±.10</td> </tr> <tr> <td></td> <td>0.XXX</td> <td>±.050</td> </tr> <tr> <td>angular</td> <td>0°</td> <td>±°</td> </tr> </table>	linear	0.X	±.3		0.XX	±.10		0.XXX	±.050	angular	0°	±°	appr	Heaven Cen		2020/09/17	product family			
linear		0.X	±.3																		
		0.XX	±.10																		
	0.XXX	±.050																			
angular	0°	±°																			
		Amphenol FCI	TITLE		AIRMAX VS2 R.A. RECEPTACLE		dwg no	10123422		rev	E										
		cat. no.		Product - Customer Drw		sheet 3 of 3															

PDS: Rev :E

STATUS:Released

Printed: Sep 18, 2020

Amphenol FCI

© 2016 APCI