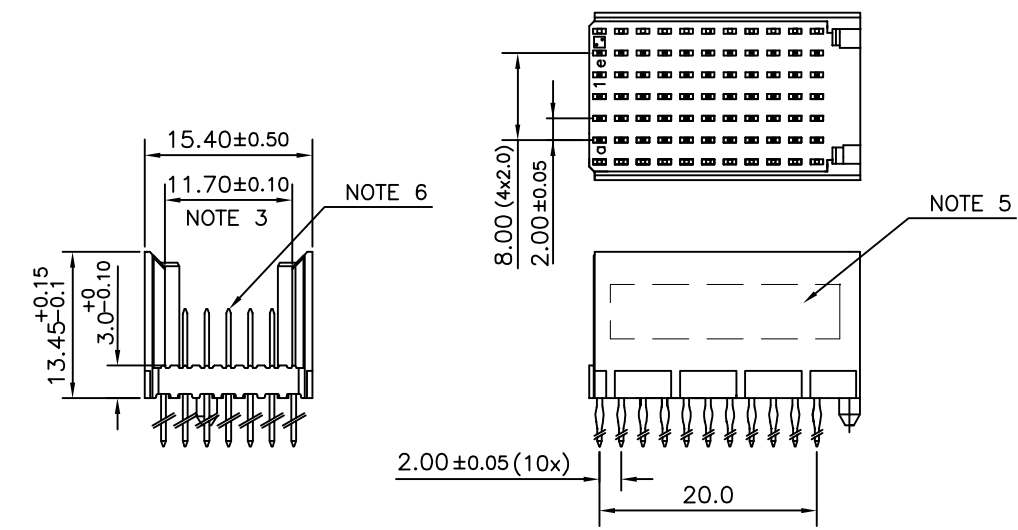


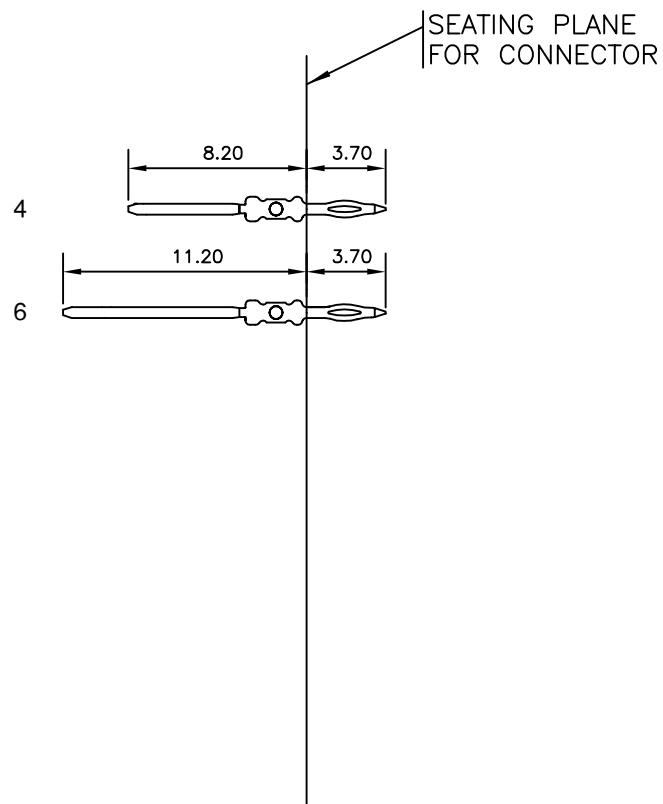
LOADING PATTERN MATING SIDE

f	0	0	0	0	0	0	0	0	0	0
e	6	6	6	6	6	6	4	4	6	6
d	6	6	6	6	6	6	4	4	6	6
c	6	6	6	6	6	6	4	4	6	6
b	6	6	6	6	6	6	4	4	6	6
a	6	6	6	6	6	6	4	4	6	6
z	0	0	0	0	0	0	0	0	0	0
POS	01					05				10

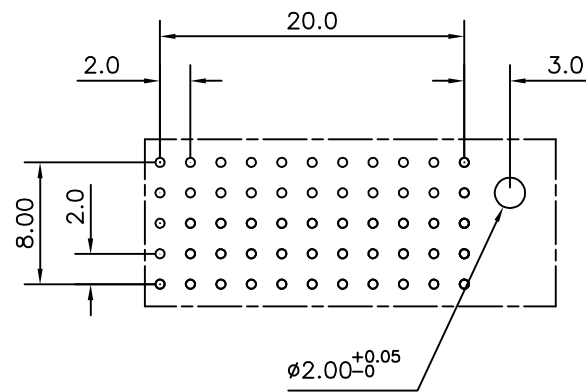
LOADED CONNECTOR ASSEMBLY (FOR EXAMPLE)



CONTACT OVERVIEW



LAY-OUT P.C.B.-HOLE



HM2P09PDJ320 LEAD FREE INDICATOR : LF = LEAD FREE (DIGIT 15 & 16)
 PLATING CODE (DIGIT 13 AND 14) (REF DRW NO. BS,C , 201844 , 003)

NOTES

1. THIS PRODUCT IS CSA APPROVED.
2. THIS PRODUCT IS UL RECOGNIZED.
3. MEASURED AT THE BOTTOM.
4. MATERIAL CONTACT: PHOSPHORBRONZE
HOUSING: CREAM WHITE GLASS FILLED POLYESTER UL-94V0
5. CONNECTOR PRINTED WITH P/N AND DATE CODE.
6. FOR ACTUAL CONTACT LOADINGS, SEE LOADING PATTERN MATING SIDE.
7. SHAPE OF CONNECTOR HOUSING CAN ALTER DEPENDING ON PRODUCTION LOCATION
8. THIS PRODUCT (LF) MEETS EUROPEAN UNION DIRECTIVES AND OTHER COUNTRY REGULATIONS AS DESCRIBED IN GS-22-008
9. FOR RECOMMENDED PTH DIMENSIONS REFER DRAWING : BS, A , 201572 , 001

CATALOG NO: HM2P09PDJ320- - -

mat'l. code SEE NOTE 4		surface ISO 1302 <input checked="" type="checkbox"/>	tolerance ISO 406 ISO 1101	projection 	product family MLLIPACS
ltr	ecn no	dr	date	tolerances unless otherwise specified	
A	106-106	MINI	2006-07-07	angles	linear
				0°±1°	0.0±0.2 0.00±0.1
				dr	MINI K VANDANATHI 2006-07-07
				enr	BIJU K PAUL 2006-07-07
				chr	BIJU K PAUL 2006-07-07
				appd	BIJU K PAUL 2006-07-07
sheet index	revision sheet	A	1		

scale -

 dwg no sheet 1 of 1 size
BS, C ,203028, 716 A3
 type Product Customer Drawing

Copyright FCI
 FCconnect.com