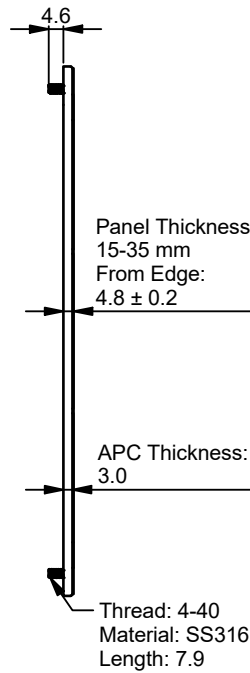
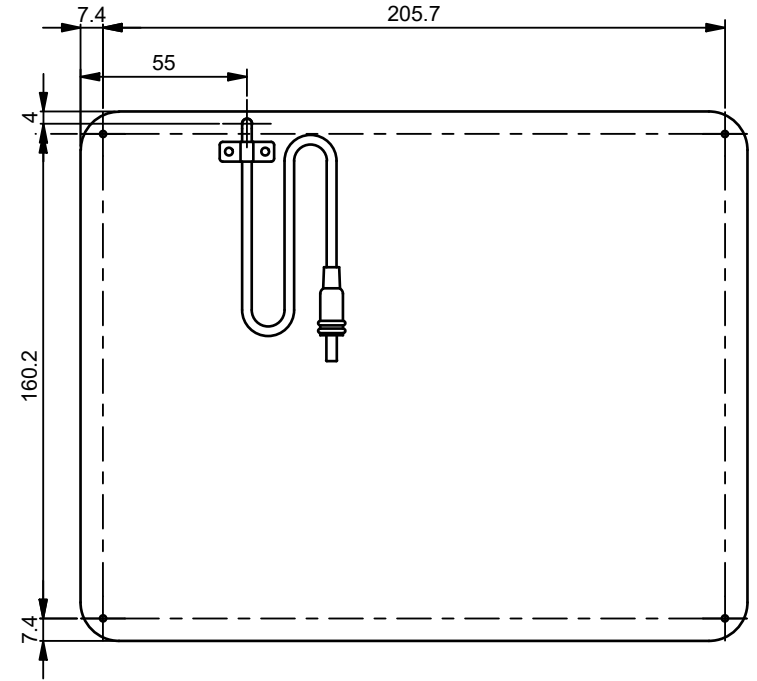


Front



Side



Back



**Drawing Details**

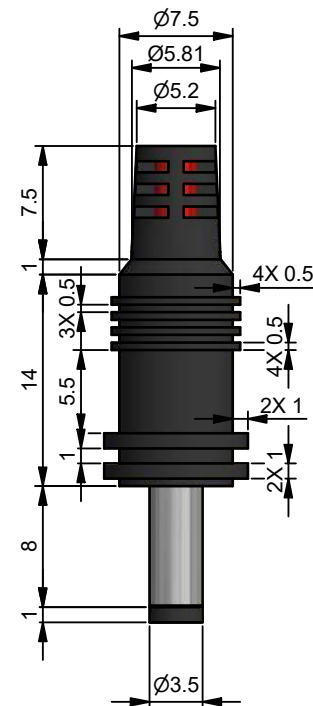
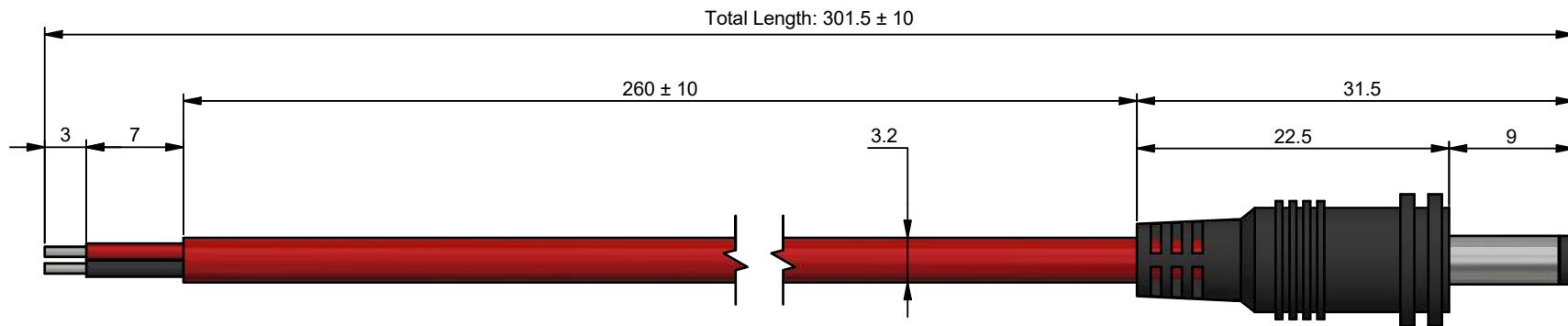
Panel Number:	P106
Revision:	R1A
Engineer:	TK
Checked By:	SM
Date Created:	2017-07-20
Date Modified:	2019-06-13
Changes:	Production Release
Tolerance:	± 0.3
Units:	mm
Scale:	1 : 2.5
Sheet:	1/2

**Construction**

All Materials RoHS Compliant
Substrate: Charcoal APC
Encapsulant: Urethane
Top Layer: Urethane
Wire Number: W017
Wire Length: 260 ± 10
Strain Relief: Metal Bracket
Attachment: 4X 4-40 Screws
Waterproof Rating: IP67

**Power Specifications**

Output Tolerance: ± 10% of Voltage and Current				
Solar Cell: EEPV EE6E3C 3BB				
Nominal Efficiency: ≥ 19.5%		Cell Pieces: 12		
Panel Electrical Ratings		Nominal	Expected	
Open-Circuit Voltage	Voc	7.67	7.28	V
Voltage at Max Power	Vp	6.50	6.18	V
Short-Circuit Current	Isc	1.02	0.98	A
Current at Max Power	Ip	0.96	0.91	A
Maximum Power	Wp	6.22	5.61	W



### Drawing Details

Wire Number:	W017
Revision:	R1A
Engineer:	TK
Checked By:	SM
Date Created:	2014-03-18
Date Modified:	2018-06-28
Changes:	N/A

### Wire Details

All Materials RoHS Compliant	
Length:	260 ± 10
Conductor Gauge:	22 AWG
Connector:	M3511
Crimp:	N/A
Jacket Color:	Red
Jacket Material:	PU
Insulator Colors:	Black and Red
Insulator Material:	PVC

Tolerance:	± 0.3	Units:	mm
Scale:	2	Sheet:	2/2