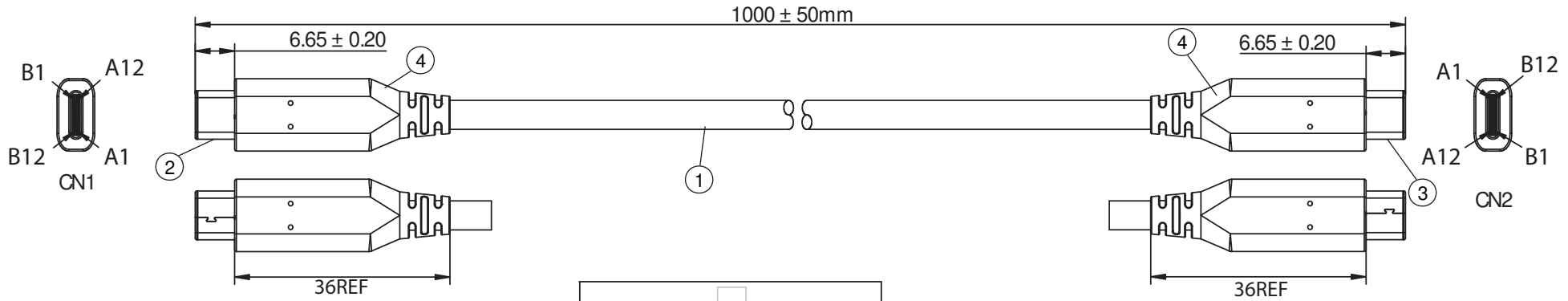
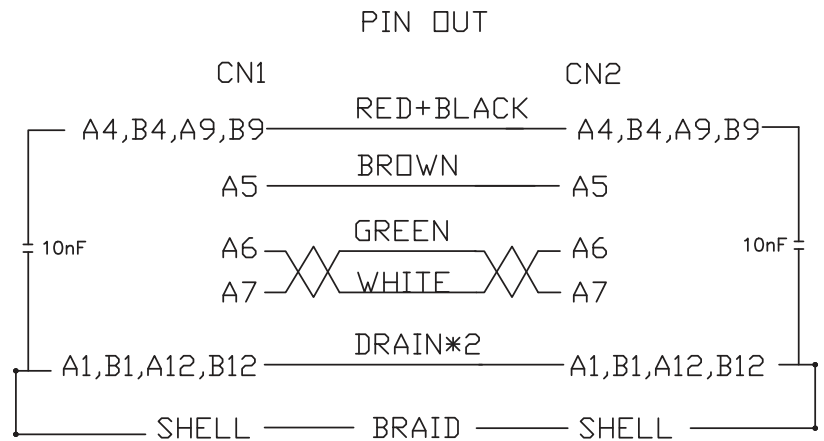
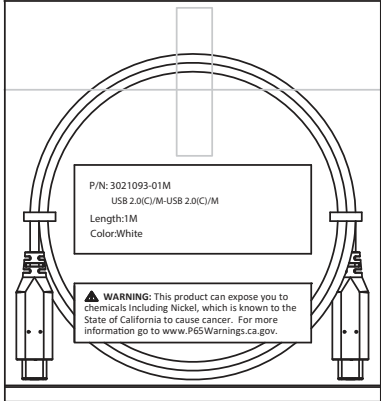


THESE DRAWINGS ARE THE PROPERTY OF QUALTEK ELECTRONICS AND NOT TO BE REPRODUCED FOR OR COMMUNICATED TO A THIRD PARTY WITHOUT THE EXPRESS WRITTEN PERMISSION OF AN OFFICER OF QUALTEK ELECTRONICS.

REVISION			
REV.	DESCRIPTION	DATE	APPROVED



P/N: 3021093-01M
 USB 2.0(C)/M-USB 2.0(C)/M
 Length:1M
 Color:White



- NOTES:
- CABLE: UL 2725
 30AWGx1PR+34AWGx2C+26AWGx2C+A2EB
 PVC OUTER JACKET: WHITE, OD: 3.5 ± 0.2mm
 - CONNECTOR: USB 2.0 TYPE C MALE
 INSULATOR: BLACK PBT
 PIN G/F
 NICKEL PLATED SHELL
 - CONNECTOR: USB 2.0 TYPE C MALE
 INSULATOR: BLACK PBT
 PIN G/F
 NICKEL PLATED SHELL
 - PVC MOLDED: COLOR 45P WHITE
 - ELECTRICAL TEST:
 <1>.100% OPEN SHORT & MISS WIRE TEST
 <2>.HI-POT: 50V AC/0.01 SEC 50V DC/0.01 SEC
 <3>.INSULATION RESISTANCE: 10M OHM (MIN)
 <4>.CONDUCTIVE RESISTANCE: 2 OHM (MAX)
 <5>.CAPACITANCE DETECTION: 20nF ± 20% BETWEEN A1 AND A4
 - DATA TRANSFER RATE UP TO 480Mbps (NOMINAL)
 - CURRENT RATING UP TO 3A (NOMINAL)
 - VOLTAGE RATING UP TO 20V (NOMINAL)
 - PACKING: 1PC/POLYBAG/W/ LABEL

CONTROLLED

Dim range (mm)	Tolerance +/- (mm)	Qualtek Electronics Corp. WCI DIVISION		
		Part Number: 3021093-01M	RoHS Compliant	
0-1	0.15	Description: USB 2.0(C)/M - USB 2.0 (C)/M		
1-6	0.20			
6-18	0.30	UNIT: mm		
18-50	0.50	Drawn / Date	Checked / Date	Approved / Date
50-120	0.70	R Nuti	10-29-18	LY / 10-29-18
120-250	0.90	10-29-18	10-29-18	10-29-18
250-500	1.20	10-29-18	10-29-18	10-29-18