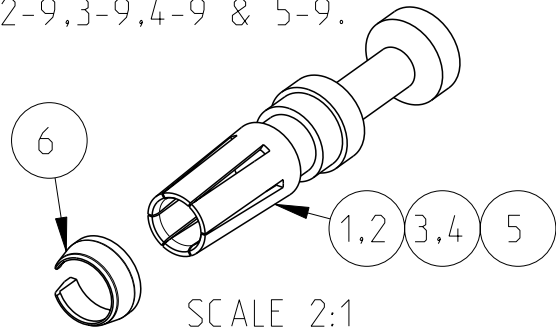


P	LTR	DESCRIPTION	DATE	DWN	APVD
A8		ECR-21-123577	16AUG2022	RK	JB

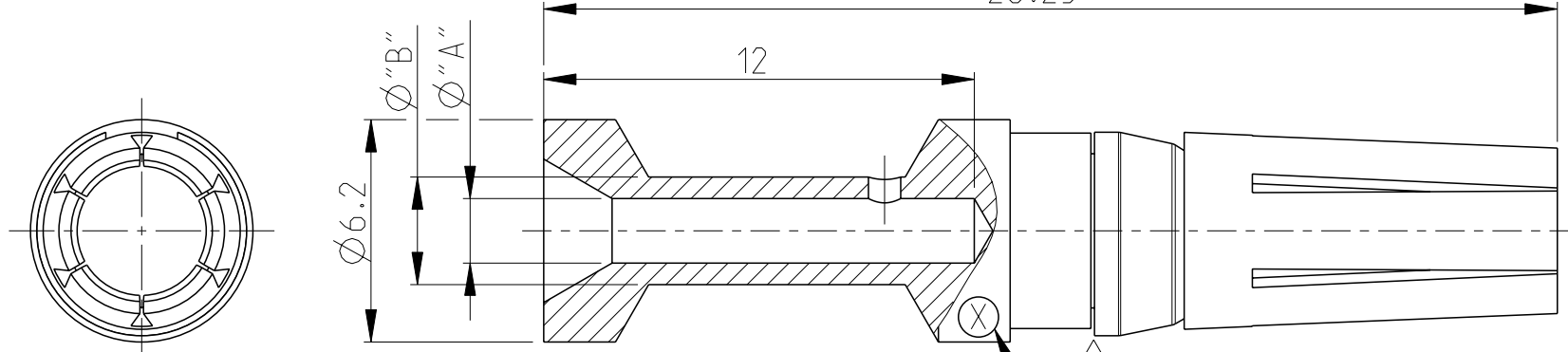
PN 1-1,2-1,3-1,4-1,5-1
1-9,2-9,3-9,4-9 & 5-9.



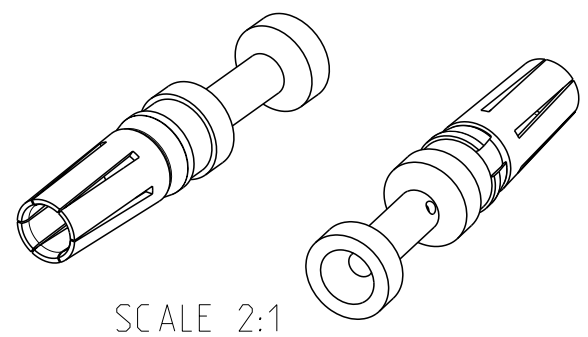
△ OBSOLETE

Notes

- 1 MATERIAL: BRASS
- 2 FINISH SILVER PLATING: 2µm Ag MIN. OVER Cu
- 3 ASSEMBLY WEIGHT SEE TABLE, VOLUME: 479mm³ (APPROX.)
- 4 PACKAGING: 25 PIECES IN A POLY-BAG AND CARTON
- 5 SUITABLE SOCKET CONTACT: PN 1108756
- 6 SUITABLE INSERTS: SERIES HSK
- 7 SUITABLE CRIMPING TOOL: PN 1-1105850-8
- 8 SUITABLE INSERTION TOOL: PN 0-1102855-6
- 9 SUITABLE EXTRACTION TOOL: PN 0-1102855-8
- 10 CROSS-SECTION MARKING
- 11 STANDARDS: DIN EN 61984, DIN EN 60664-1



PLATING	DESCRIPTION	CROSS SECTION	WEIGHT IN (Kg)	DIMENSIONS		CROSS-SECTION MARKINGS	STRIPPING-LENGTH (MM)	ITEM NO						
Ni	CLIP	-	-	-	-	-	-	6						
Ag 2	SOCKET CONTACT	10	0.0030	4.35	5.9	8	12	5						
	SOCKET CONTACT	6.0	0.0029	3.5	4.9	7	12	4						
	SOCKET CONTACT	4.0	0.0027	2.85	3.9	6	12	3						
	SOCKET CONTACT	2.5	0.0028	2.2	3.2	5	12	2						
	SOCKET CONTACT	1.5	0.0028	1.8	3.0	4	12	1						
		[MM ²]		"A"	"B"	CROSS-SECTION MARKINGS	(MM)	ITEM NO						
5-9	4-9	3-9	2-9	1-9	5-1	4-1	3-1	2-1	1-1					
HS.K-C-Bu.Ag 10mm ²	HS.K-C-Bu.Ag 6mm ²	HS.K-C-Bu.Ag 4mm ²	HS.K-C-Bu.Ag 2.5mm ²	HS.K-C-Bu.Ag 1.5mm ²	HS.K-C-Bu.Ag 10mm ²	HS.K-C-Bu.Ag 6mm ²	HS.K-C-Bu.Ag 4mm ²	HS.K-C-Bu.Ag 2.5mm ²	HS.K-C-Bu.Ag 1.5mm ²					



THIS DRAWING IS A CONTROLLED DOCUMENT.

DIMENSIONS:	TOLERANCES UNLESS OTHERWISE SPECIFIED:
mm	0 PLC ±
	1 PLC ±
	2 PLC ±
	3 PLC ±
	4 PLC ±
	ANGLES ±
MATERIAL	FINISH
1	2

DWN	SCHWEIGER	03Mar2008
CHK	H.BRAUN	03Mar2008
APVD	T. SCHNURPFEL	03Mar2008
PRODUCT SPEC	108-74004	
APPLICATION SPEC	114-74003	
WEIGHT	-	
CUSTOMER DRAWING		

TE TE Connectivity

NAME: SOCKET CONTACT SERIES HSK

SIZE	CAGE CODE	DRAWING NO	RESTRICTED TO
A3	00779	©=1108756	-

SCALE 5:1 SHEET 1 OF 1 REV A8

Printed on 17 Aug 2022 08:23 (India Standard Time) from FR019765