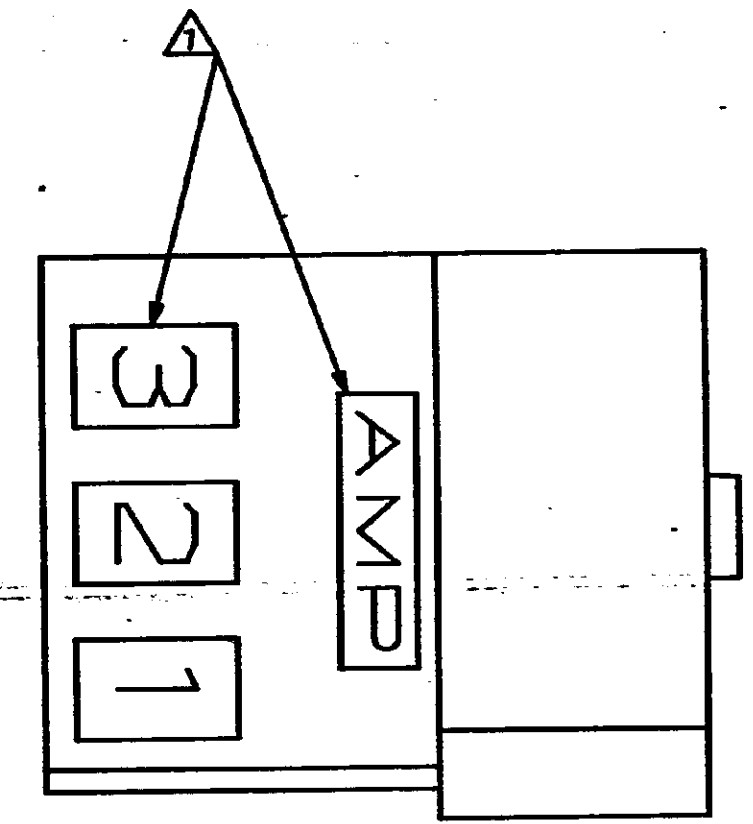
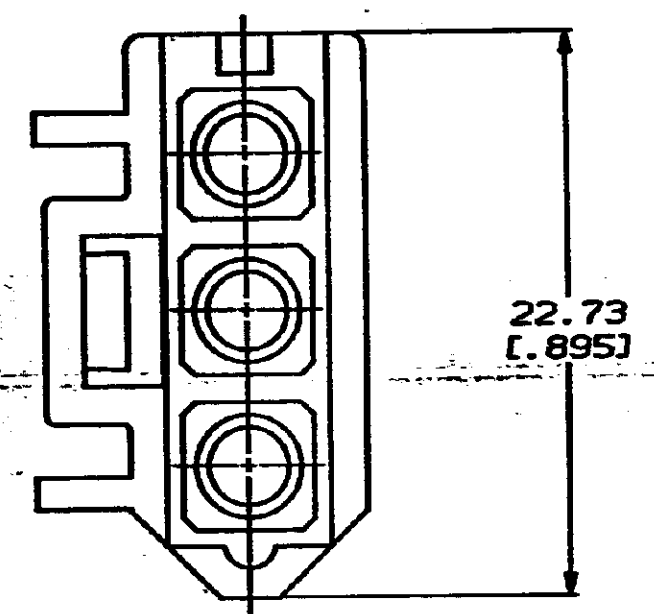
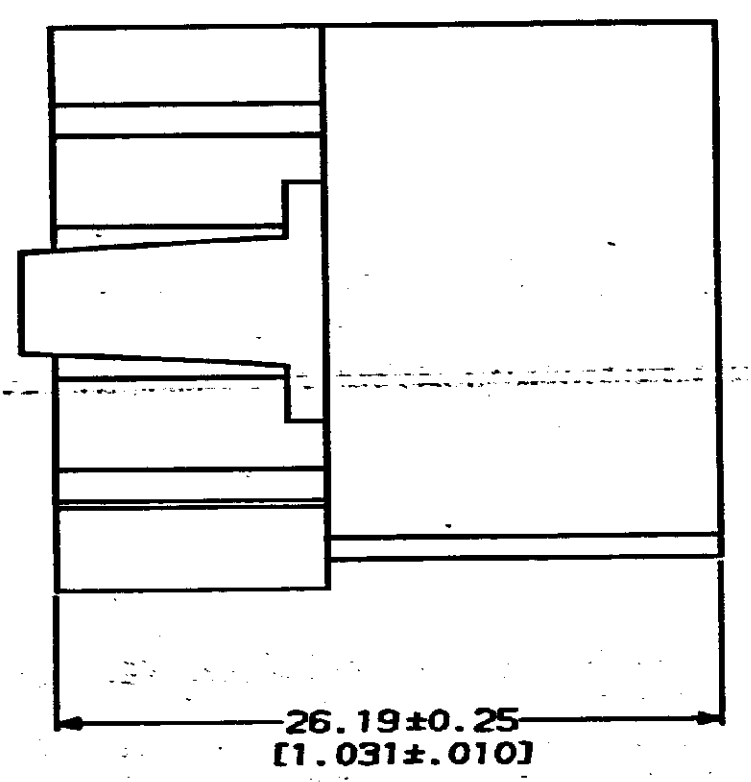
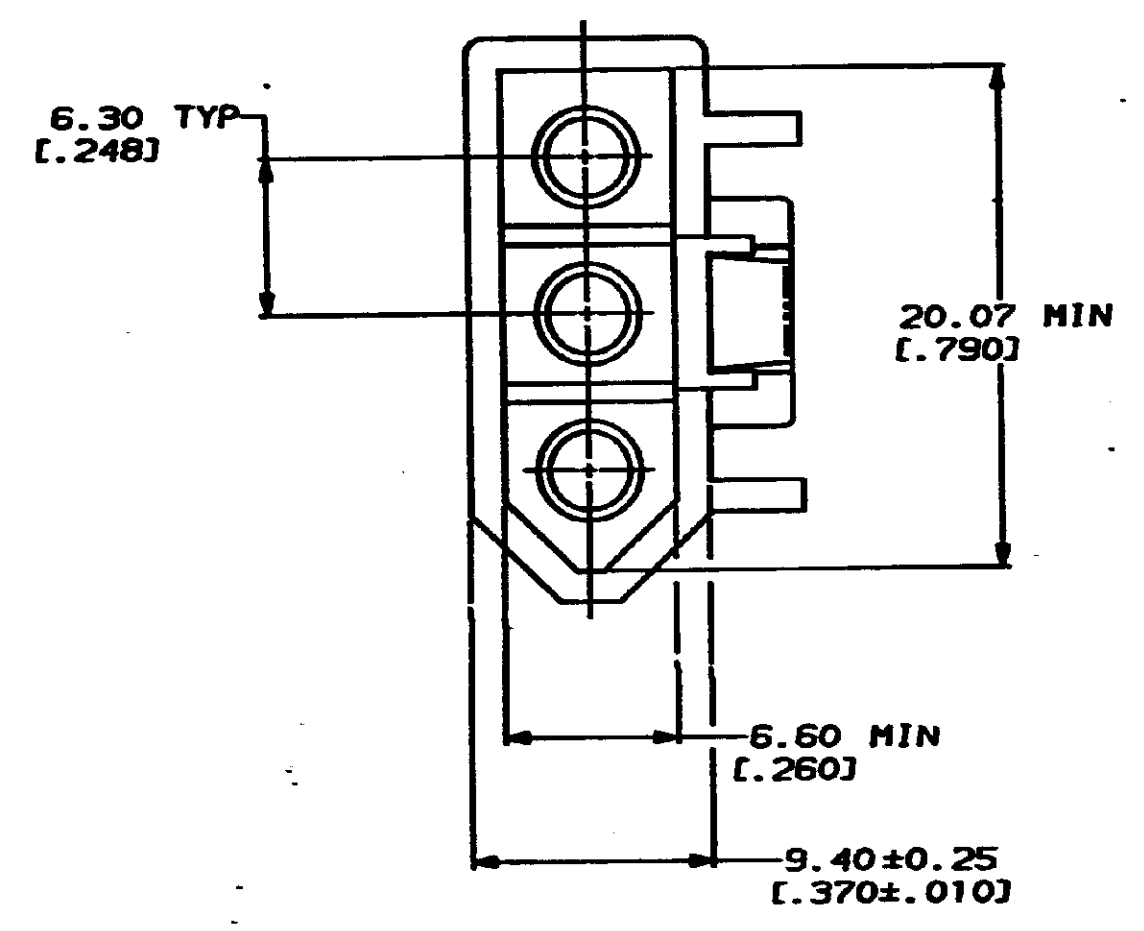
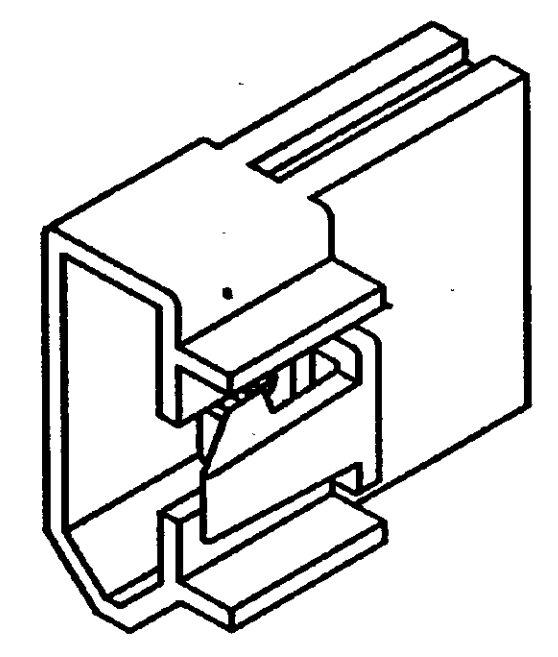


8
DRAWING MADE IN THIRD ANGLE PROJECTION
THIS DRAWING IS UNPUBLISHED. RELEASED FOR PUBLICATION
© COPYRIGHT 19 BY AMP INCORPORATED. ALL INTERNATIONAL RIGHTS RESERVED.

REVISE		ZONE		LTR		REVISIONS		DATE	APPD
CM	53							6-27-91	MS
							C	REVISED PER ECN CN-3424	



△ AMP LOGO AND CIRCUIT NUMBERS LOCATED IN THIS AREA.
2. DIMENSIONS IN BRACKETS ARE IN INCHES.



3-DIMENSIONAL MODEL NTS

METRIC

770783-1		PART NO	
DO NOT SCALE PRINT. UNLESS SPECIFIED DIMENSIONS IN mm (INCHES) TOLERANCES ON:		AMP Incorporated Harrisburg, PA 17105-3508	
DR K. WHITAKER 11-20-90	CHK R. SWINE 11-20-90	NAME PLUG, POSITIVE LOCK, 3 CIRCUIT, COMMERCIAL PIN AND SOCKET	
APPD C. CASH 11-20-90	APPD	SIZE D	CASE CODE 00779
MATERIAL NYLON, UL 94V-2 NATURAL	PRODUCT SPEC	SCALE 4:1	DRAWING NO 770783
FINISH	APPLICATION SPEC	SHEET 1 OF 1	
WEIGHT		CUSTOMER DRAWING	