

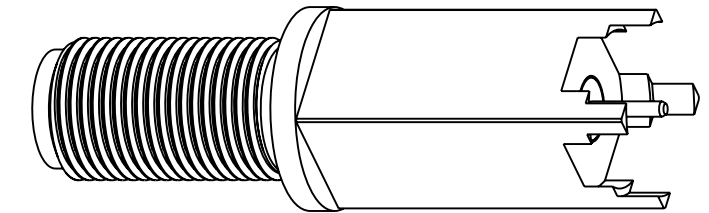
NOTES:

1. MATERIAL AND FINISH (PLATING THICKNESS IN MICRO-INCHES):  
 FRONT & REAR BODY - BRASS, MATTE TIN PLATING WISKER FREE  
 PER 349-50716 100 MIN THICK OVER NICKEL  
 FRONT CONTACT - BeCu, PURE MATTE TIN PLATING 100 MIN OVER NICKEL  
 REAR CONTACT - BRASS, PURE MATTE TIN PLATING 100 MIN OVER NICKEL  
 INSULATORS - PTFE
2. ELECTRICAL:  
 IMPEDANCE: 75 OHM  
 RETURN LOSS : 25dB MIN. AT DC- 1 GHz  
 18dB MIN AT 1- 3GHz
3. MECHANICAL:  
 DURABILITY: 500 CYCLES MIN.  
 TEMPERATURE: -40°C TO 85°C
4. PACKAGING:  
 A. QUANTITY: SINGLE PACK  
 B. MARKING: BAG TO BE MARKED  
 "AMPHENOL, 531-40193-HF, AND DATE CODE"

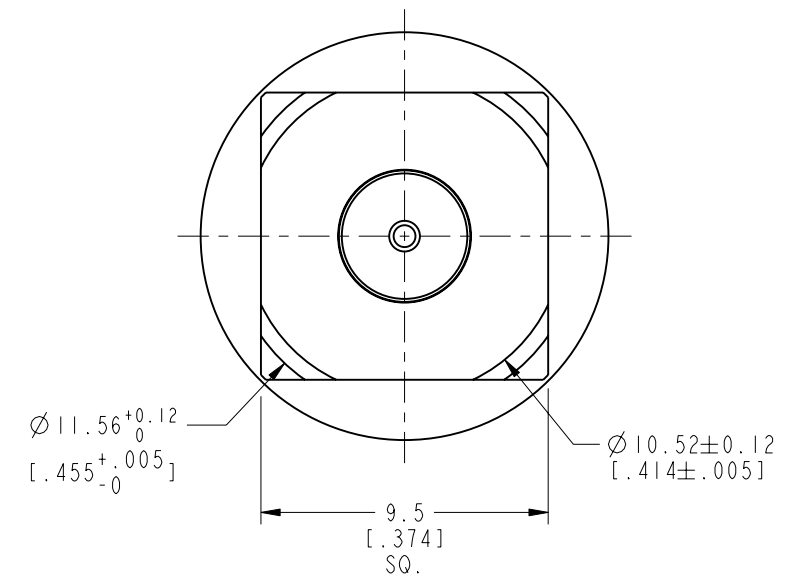
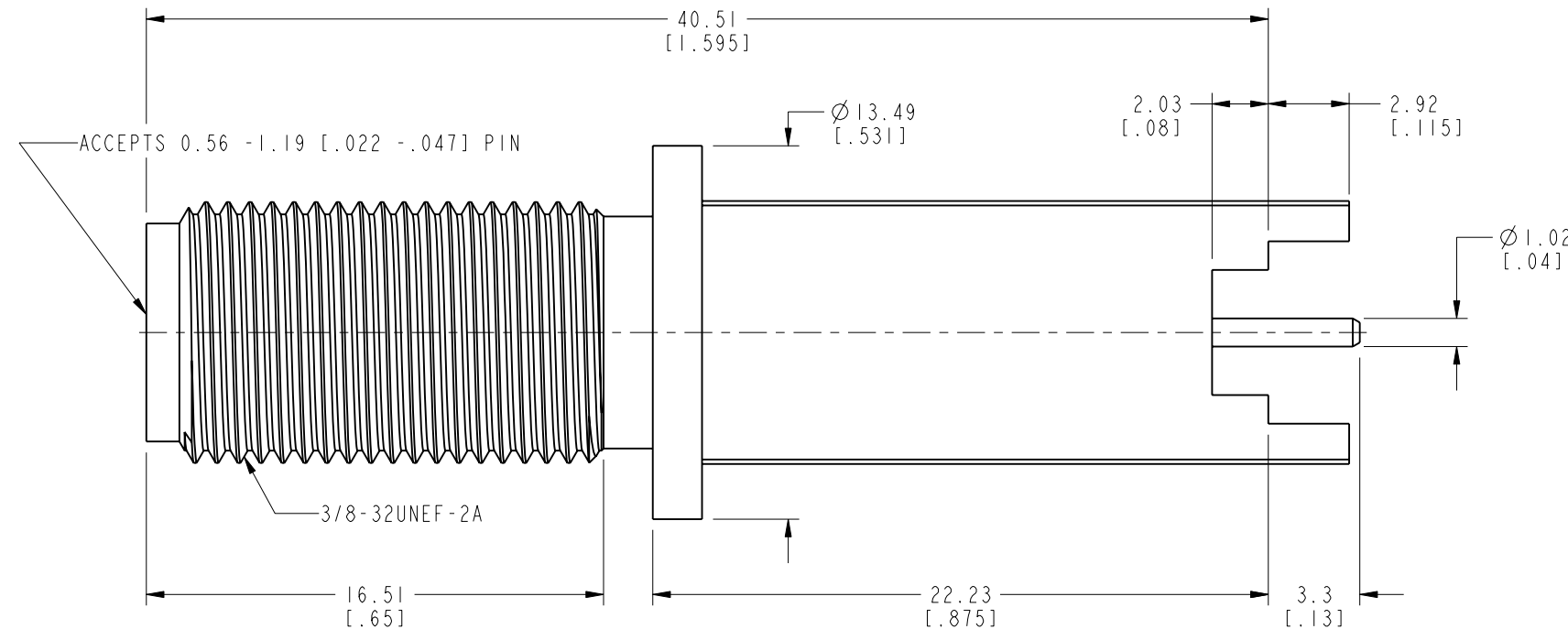
THIRD ANGLE PROJ.

REVISIONS

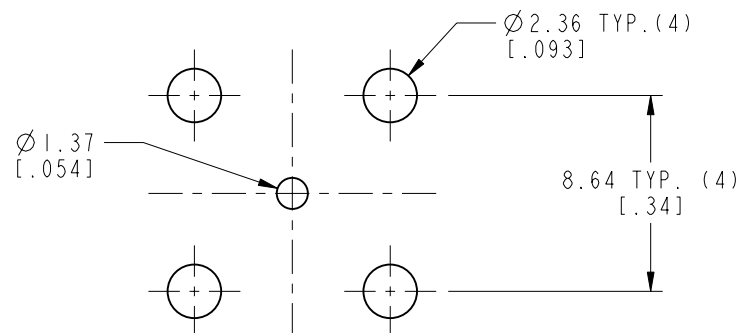
REV	DESCRIPTION	DATE	ECO	APPR
A	RELEASE TO MFG.	09-Sep-09	47254	AW
B	531-42146 AND 531-41248 WERE CHANGED\RD-DMI00422011	23-Apr-10	48073	SH
C	SEE SHEET 1/RD-DMI7042701S6	27-Apr-17	03801	SW
D	CONTACT AND FRONT BODY WERE CHANGED	23-Oct-17	05583	SW



SCALE 2.000



**RECOMMENDED PCB MOUNTING HOLES**



**CUSTOMER OUTLINE DRAWING**

ALL OTHER SHEETS ARE FOR INTERNAL USE ONLY

UNLESS OTHERWISE SPECIFIED, DIMENSIONS ARE IN METRIC AND TOLERANCES ARE: <0.5mm ±0.05mm    0.5 - 6mm ±0.1mm    6 - 30mm ±0.2mm    30 - 120mm ±0.3mm    ANGLES ±1°	MATERIAL	DRAWN STAMN	DATE 23-Oct-17	TITLE TYPE F STRAIGHT TO PCB	Amphenol RF Danbury CT USA, Tainan, Taiwan, Shenzhen, China www.amphenolrf.com	
	REFERENCE EAR # 1534.3    AND    611X-4189-100	ENGINEER H. PARIKH	DATE 4/18/06			
NOTICE - These drawings, specifications, or other data (1) are, and remain the property of Amphenol corp. (2) must be returned upon request; and (3) are confidential and not to be disclosed to any person other than those to whom they are given by Amphenol Corp. the finishing of these drawings, specifications, or other data by Amphenol Corp., or to any other person to anyone for any purpose is not to be regarded by implication or otherwise in any manner licensing, granting rights to permitting such holder or any other person to manufacture, use or sell any product, process or design, patented or otherwise, that may in any way be related to or disclosed by said drawings, specifications, or other data.	CONFIGURATION LEVEL: Prototype	APPROVED S. HSIEH	DATE 24-Oct-17	SCALE: 4.0:1.0   SHEET 2 OF 2	DRAWING NO. 531-40193-HF	
	FINISH	I:\F AND G\531-40193-HF	CAD FILE	DWG SIZE B	REV D	ITEM NO. 531-40193-HF
						PART NO. 531-40193-HF