

DO NOT SCALE DRAWING DIMENSION IN METRIC

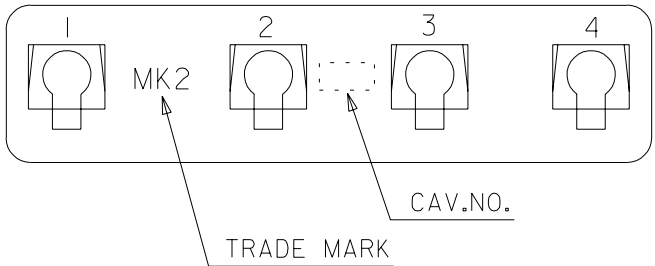
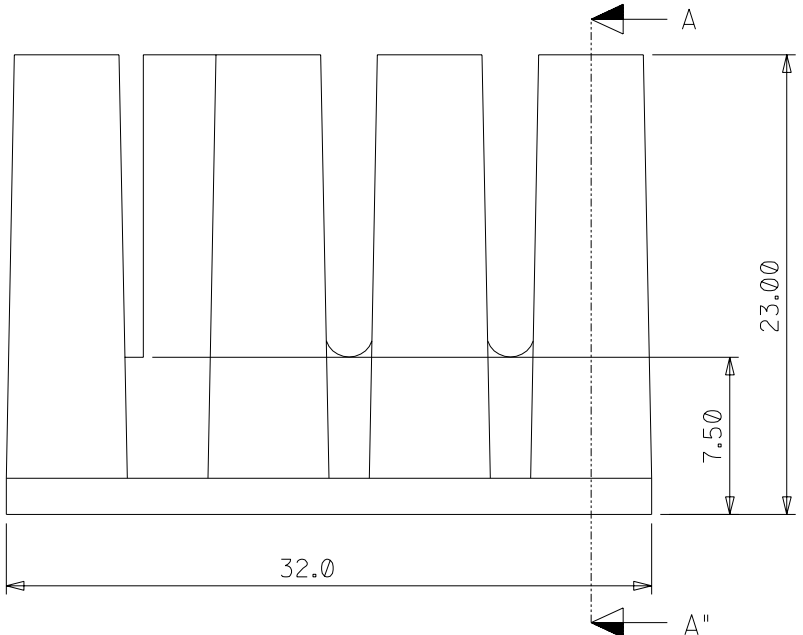
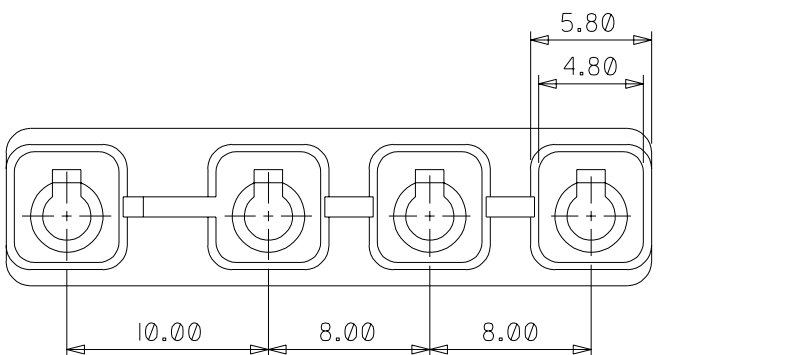
SIMILAR ITEM

PROJECT NO.

C

B

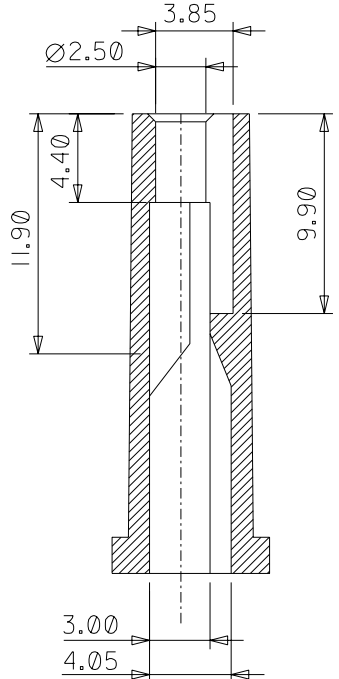
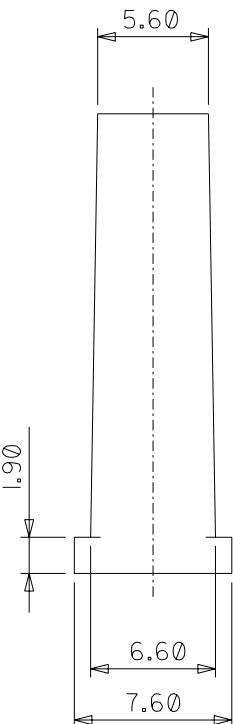
DWG. NO. SD-35183-041



MATERIAL NO.	ENG NO.	MATERIAL	COLOR
351830411	35183-0411	NORYL,UL94V-0	BLACK
351830417	35183-0417	NORYL,UL94V-I	GRAY

NOTES

- APPLICABLE TERMINALS: 35716-0110, 35716-0310, 35716-0190, 35716-0193
- MATED WAFER ASSEMBLY: 35309-0410



SECTION A-A'

REVISED EC NO. KOR2002-0151 DRWN: C.B.CHIN 02/06/07 CHK: W.Y.YNAG APPR: C.W.LEE	QUALITY SYMBOLS	GENERAL TOLERANCES: (UNLESS SPECIFIED)		SCALE 4:1	DESIGN UNITS <input checked="" type="checkbox"/> mm <input type="checkbox"/> INCH	THIRD ANGLE PROJECTION	DIMENSIONS: <input type="checkbox"/> mm <input type="checkbox"/> INCH <input checked="" type="checkbox"/> mm ONLY	SHT	REV
	MAJOR = 0	mm	INCH	DRAWN BY & DATE W.Y.YANG 95/01/17		TITLE: 2.36 HOUSING-4P			
CRITICAL = 0	4 PLACES	±0.	±.	CHECKED BY & DATE B.K.CHOI 95/01/17		MOLLEX MOLEX INCORPORATED			
	3 PLACES	±0.	±.	APPROVED BY & DATE C.W.LEE 95/01/17					
	2 PLACES	±0.30	±.	CAD FILENAME S1830417.DGN		MATERIAL NO. SEE CHART	DRAWING NO. SD-35183-041	SHEET NO. 10F1	SIZE B
	1 PLACE	±0.30	±.	DRAFT WHERE APPLICABLE MUST REMAIN WITHIN DIMENSIONS		THIS DRAWING CONTAINS INFORMATION THAT IS PROPRIETARY TO MOLEX INCORPORATED AND SHOULD NOT BE USED WITHOUT WRITTEN PERMISSION.			