

THIS DRAWING IS UNPUBLISHED.

RELEASED FOR PUBLICATION . APR 2004

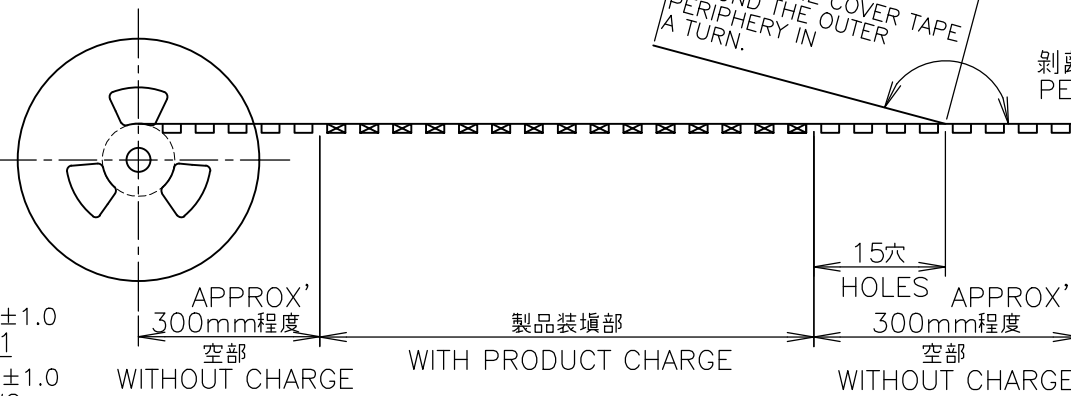
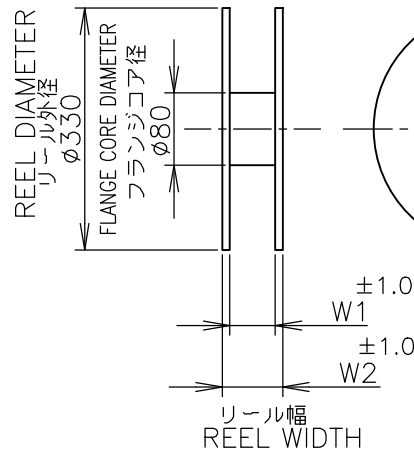
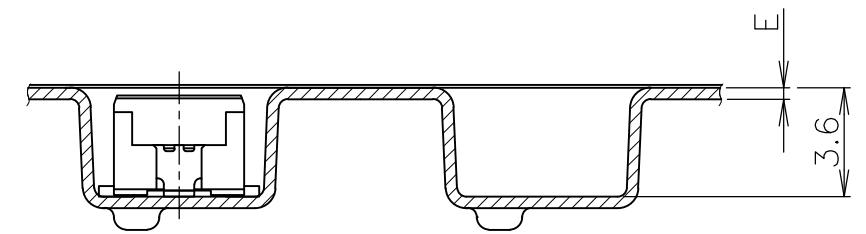
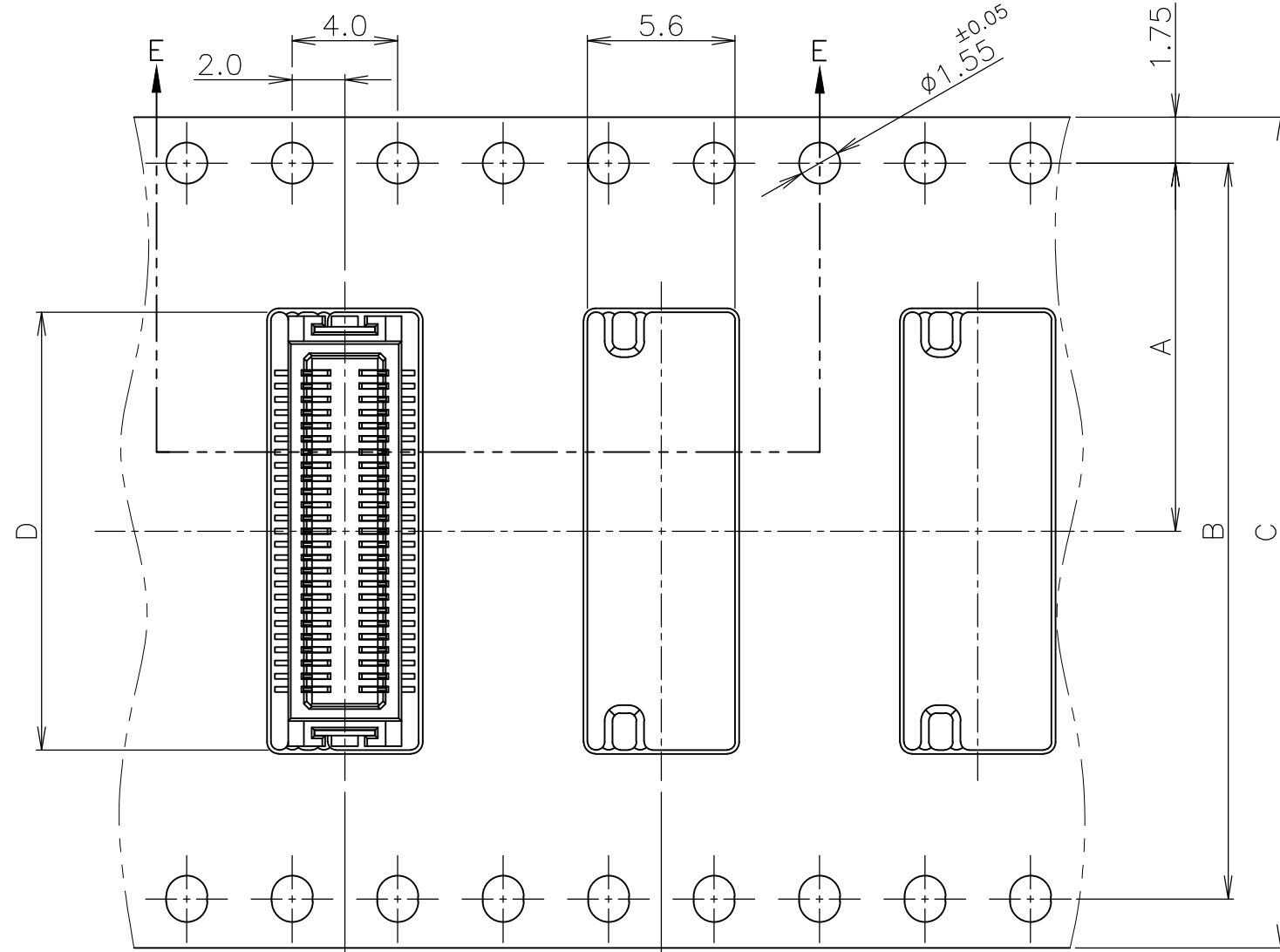
© COPYRIGHT 2004 By -

ALL RIGHTS RESERVED.

REVISIONS

変更

P	LTR	DESCRIPTION	DATE	DWN	APVD
	A2	RELEASED PER ECR-12-001064	09DEC11	J.J	Y.S
	A3	REVISED PER ECO-17-015619	17OCT17	R.L	H.L

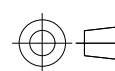


FOR P/N \*-1,-3,-5,-9, 5-\*-3,

THIS DRAWING IS A CONTROLLED DOCUMENT.

DIMENSIONS: 単位: 耗 MM

TOLERANCES UNLESS OTHERWISE SPECIFIED: 一般公差



0 PLC	$\pm 0.3$
1 PLC	$\pm 0.3$
2 PLC	$\pm 0.3$
3 PLC	$\pm 0.3$
4 PLC	$\pm 0.3$
ANGLES	$\pm 3^\circ$

MATERIAL 材料

FINISH 仕上

INSTRUCTION SHEET 取扱説明書 411-5808

WIRE RANGE 抱合電線断面積

INSULATION DIA 被覆外径

DWN Y.NAKAZAWA 23APR04

CHK T.KUSUHARA 23APR04

APVD H.MURAMATSU 23APR04

PRODUCT SPEC 製品規格 108-5496

APPLICATION SPEC 取付適用規格

WEIGHT

ON TAPING (EMBOSS) 0.5mm PITCH FINE MATE CONN. TAB ASSEMBLY (V-TYPE) (H=4.5)



NAME 名称

SIZE A3 CAGE CODE 00779 DRAWING NO 番号 G-1565359 RESTRICTED TO

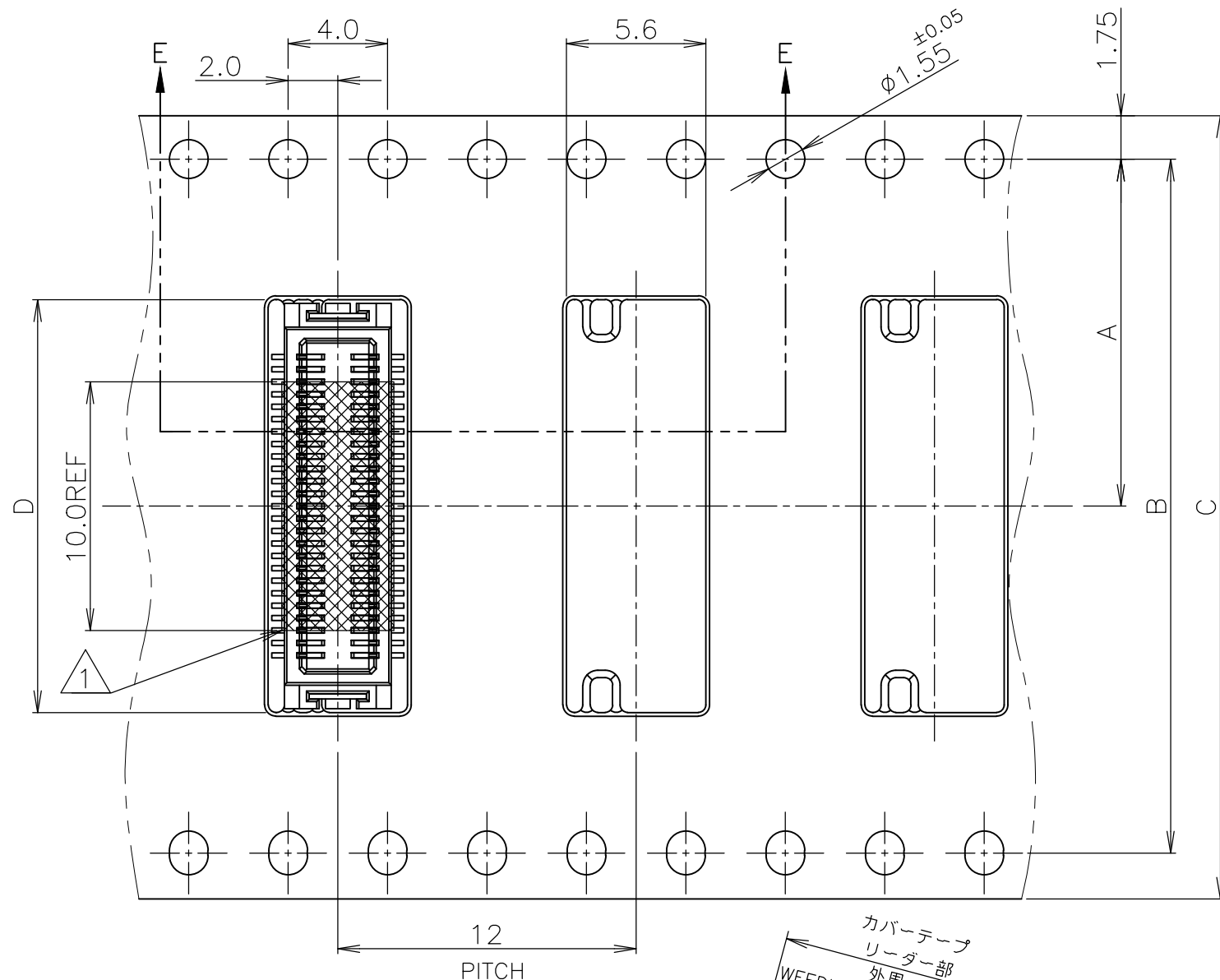
CUSTOMER DRAWING

SCALE 尺度 4:1

SHEET 1 OF 3

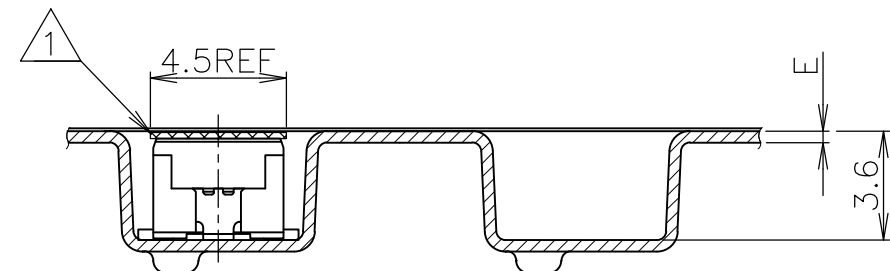
REV A3

P	LTR	DESCRIPTION	DATE	DWN	APVD
-	-	SEE SHEET 1	-	-	-



テープ幅  
TAPE WIDTH

引出し方向  
TOP OF REEL  
➔



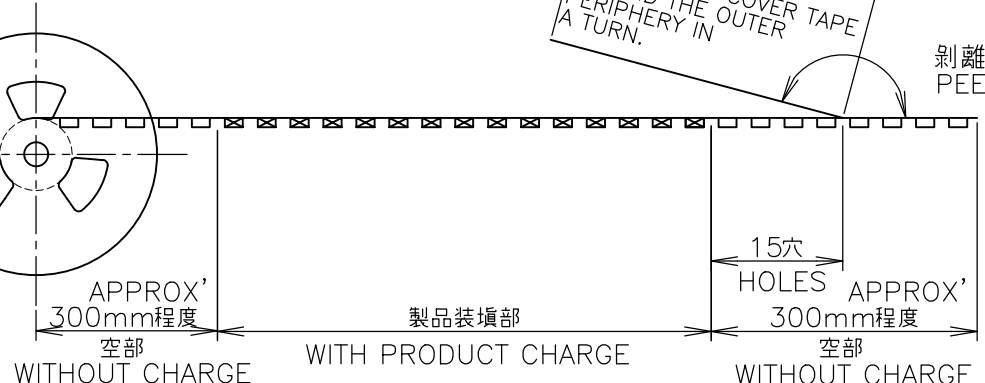
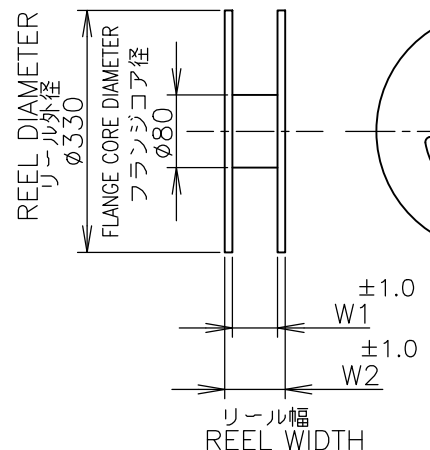
E-E

カバーテープ  
リーダー部  
外周一巻  
WEEDING THE COVER TAPE  
AROUND THE OUTER  
PERIPHERY IN  
A TURN.

剝離角度、 $165^{\circ} \sim 180^{\circ}$   
PEELING ANGLE.

NOTES:

① POLYIMIDE TAPE FOR PICK AND PLACE.



FOR P/N 1-\*-\*1

THIS DRAWING IS A CONTROLLED DOCUMENT.

DIMENSIONS: 単位: 耗 MM	TOLERANCES UNLESS OTHERWISE SPECIFIED: 一般公差
0 PLC	$\pm 0.3$
1 PLC	$\pm 0.3$
2 PLC	$\pm 0.3$
3 PLC	$\pm 0.3$
4 PLC	$\pm 0.3$
ANGLES	$\pm 3^{\circ}$
MATERIAL 材料	FINISH 仕上

INSTRUCTION SHEET 取扱説明書	WIRE RANGE 抱合電線断面積	INSULATION DIA 被覆外径
DWN	TE Connectivity	
CHK		
APVD	NAME 名称	
PRODUCT SPEC 製品規格	ON TAPING (EMBOSS) 0.5mm PITCH FINE MATE CONN. TAB ASSEMBLY (V-TYPE) (H=4.5)	
APPLICATION SPEC 取付適用規格	SIZE	CAGE CODE
WEIGHT	A3	00779
CUSTOMER DRAWING		DRAWING NO 番号 C-1565359
SCALE 尺度 4:1		SHEET 2 OF 3
		REV A3

THIS DRAWING IS UNPUBLISHED.

RELEASED FOR PUBLICATION , .APR 2004

© COPYRIGHT 2004 By -

ALL RIGHTS RESERVED.

REVISIONS

変更

P	LTR	DESCRIPTION	DATE	DWN	APVD
-	-	SEE SHEET 1	-	-	-

BOSS	MYLAR	DIMENSIONS										QTY/ REEL	POS	CONNECTOR P/N	TAPING P/N
		W2	W1	E	D	C	B	A							
WITHOUT BOSS	WITH MYLAR	49.5	45.5	0.38	29.1	44	40.4	20.2	1000	100	1-1565360-1	1-1565359-1			
	WITHOUT MYLAR	20.2	17.5	0.4	9.1	16	+-	7.5	1000	20	1565360-9	1565359-9			
	WITHOUT MYLAR	36.7	33.5	0.4	19.1	32	28.4	14.2	1000	60	1565360-5	1565359-5			
	WITHOUT MYLAR	50.5	45.5	0.4	24.1	44	40.4	20.2	1000	80	1565360-3	1565359-3			
WITH BOSS	WITHOUT MYLAR	50.5	45.5	0.4	24.1	44	40.4	20.2	1000	80	5-1565360-3	5-1565359-3			
	WITHOUT MYLAR	49.5	45.5	0.38	29.1	44	40.4	20.2	1000	100	1565360-1	1565359-1			

A3 OBSOLETE

A3 OBSOLETE

INSTRUCTION SHEET  
取扱説明書

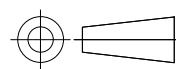
WIRE RANGE  
抱合電線断面積

INSULATION DIA  
被覆外径

THIS DRAWING IS A CONTROLLED DOCUMENT.

DIMENSIONS:  
単位: 耗  
MM

TOLERANCES UNLESS  
OTHERWISE SPECIFIED:  
一般公差



- 0 PLC ± 0.3
- 1 PLC ± 0.3
- 2 PLC ± 0.3
- 3 PLC ± 0.3
- 4 PLC ± 0.3
- ANGLES ± 3'

MATERIAL  
材料

FINISH  
仕上

DWN -  
CHK -  
APVD -



NAME  
名称

ON TAPING (EMBOSS)  
0.5mm PITCH FINE MATE CONN.  
TAB ASSEMBLY (V-TYPE) (H=4.5)

PRODUCT SPEC  
製品規格  
APPLICATION SPEC  
取付適用規格

SIZE	CAGE CODE	DRAWING NO 番号	RESTRICTED TO
A3	00779	1565359	-

WEIGHT  
0

CUSTOMER DRAWING

SCALE  
尺度 4:1

SHEET  
3 OF 3

REV  
A3