

## HMIC™ Silicon SP5T PIN Diode Switch with Integrated Bias Network

Rev. V2

### Features

- Broad Bandwidth Specified up to 18 GHz
- Usable up to 26 GHz
- Integrated Bias Network
- Low Insertion Loss / High Isolation
- Rugged, Glass Encapsulated Construction
- Fully Monolithic
- RoHS\* Compliant

### Description

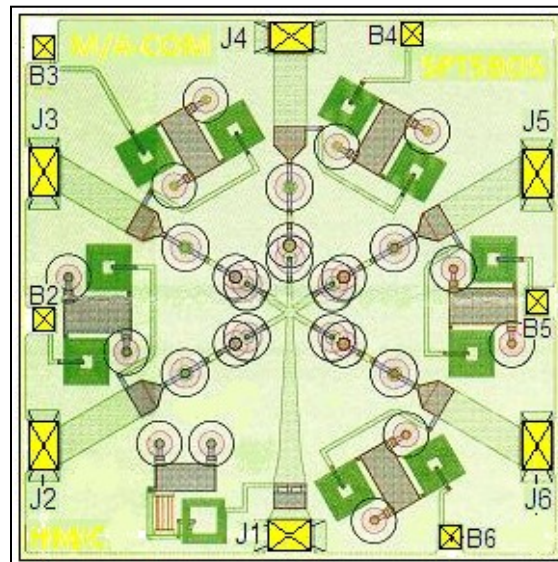
The MASW-005102-13600 device is a SP4T broadband switch with integrated bias network utilizing MACOM's HMIC™ (Heterolithic Microwave Integrated Circuit) process, US Patent 5,268,310. This process allows the incorporation of silicon pedestals that form series and shunt diodes or vias by imbedding them in low loss, low dispersion glass. By using small spacing between elements, this combination of silicon and glass gives HMIC devices low loss and high isolation performance with exceptional repeatability through low millimeter frequencies. Large bond pads facilitate the use of low inductance ribbon bonds, while gold backside metallization allows for manual or automatic chip bonding via 80/20 - Au/Sn, 62/36/2 - Sn/Pb/Ag solders or electrically conductive silver epoxy.

These high performance switches are suitable for use in multi-band ECM, Radar, and instrumentation control circuits where high isolation to insertion loss ratios are required. With a standard +5 V / -5 V, TTL controlled PIN diode driver, 80 ns switching speeds can be achieved.

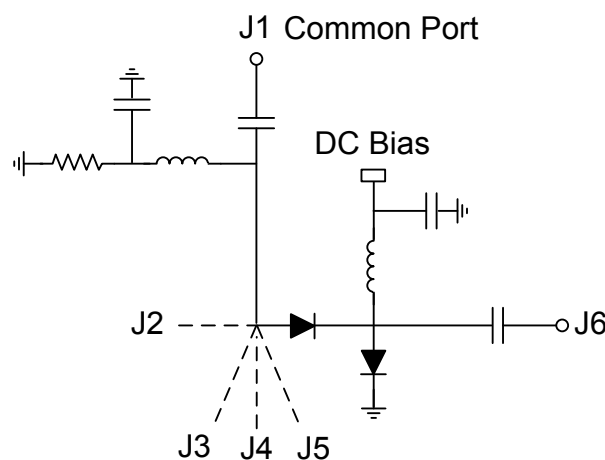
### Ordering Information

Part Number	Package
MASW-005102-13600W	Waffle Pack

### Functional Diagrams



**Yellow areas denote wire bond pads**



\*Restrictions on Hazardous Substances, European Union Directive 2011/65/EU.

**Electrical Specifications:  $T_A = +25^\circ\text{C}$ , 10 mA (On-Wafer Measurements)**

Parameter	Test Conditions	Units	Min.	Typ.	Max.
Insertion Loss	2 GHz	dB	—	—	1.5
	6 GHz			0.9	1.0
	12 GHz			1.2	1.5
	18 GHz			1.8	2.1
Isolation	2 GHz	dB	45	50	—
	6 GHz		40	48	
	12 GHz		30	40	
	18 GHz		25	35	
Input Return Loss	6 GHz	dB	—	20	—
	12 GHz			20	
	18 GHz			17	
Output Return Loss	2 GHz	dB	—	22	—
	6 GHz			19	
	12 GHz			19	
	18 GHz			17	
Switching Speed <sup>1</sup>	10 GHz	ns	—	80	—

1. Typical switching speed is measured from (10% to 90% and 90% to 10% of detected RF voltage), driven by TTL compatible drivers. In the modulating state, (the switching port is modulating, all other ports are in steady state isolation.) The switching speed is measured using an RC network using the following values:  $R = 50 - 200 \Omega$ ,  $C = 390 - 1000 \text{ pF}$ . Driver spike current,  $I_C = C \text{ dv/dt}$ , ratio of spike current to steady state current, is typically 10:1.

## Absolute Maximum Ratings<sup>2,3,4</sup>

Parameter	Absolute Maximum
RF CW Incident Power	+33 dBm
Reverse Voltage	-50 V
Bias Current per Port	$\pm 50 \text{ mA @ } +25^\circ\text{C}$
Junction Temperature	+175°C
Operating Temperature	-65°C to +125°C
Storage Temperature	-65°C to +150°C

- Exceeding any one or combination of these limits may cause permanent damage to this device.
- MACOM does not recommend sustained operation near these survivability limits.
- Maximum operating conditions for a combination of RF power, DC bias and temperature: +33 dBm CW @ 15 mA (per diode) @ +85°C.

## Handling Procedures

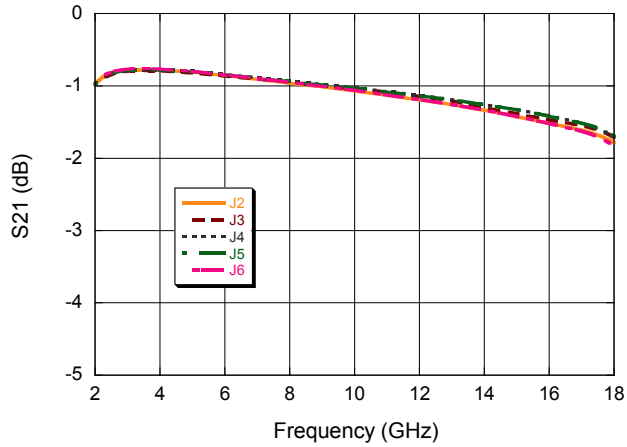
Please observe the following precautions to avoid damage:

## Static Sensitivity

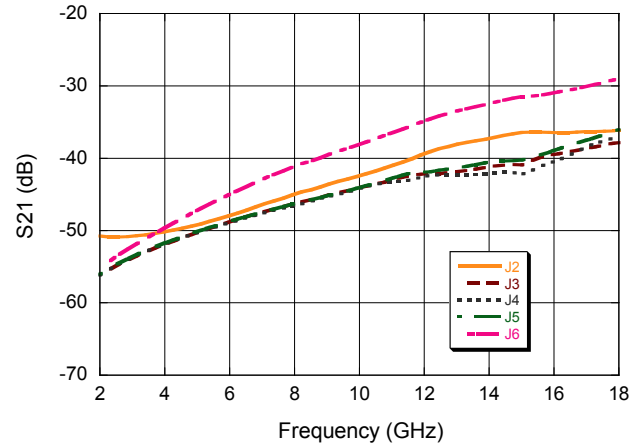
These electronic devices are sensitive to electrostatic discharge (ESD) and can be damaged by static electricity. Proper ESD control techniques should be used when handling these Class 0 (HBM) and Class C1 (CDM) devices.

**Typical Performance Curves:**

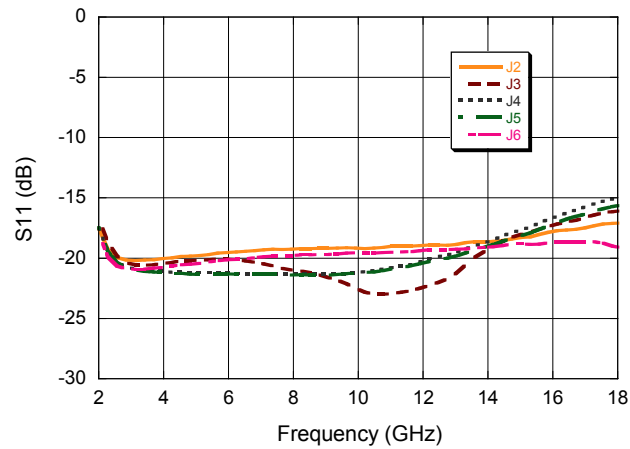
*Insertion Loss vs. Frequency*



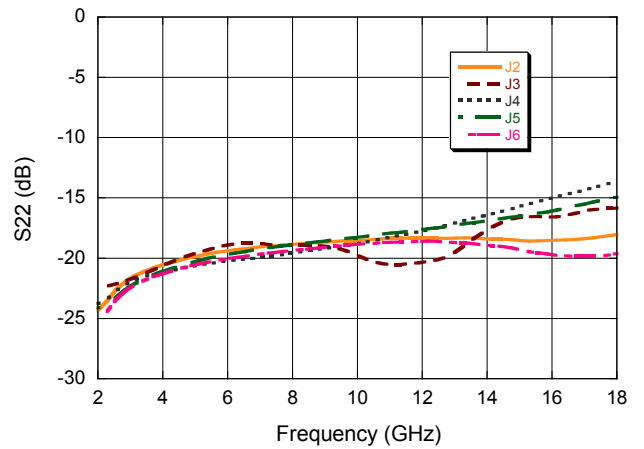
*Isolation vs. Frequency*



*Input Return Loss vs. Frequency*



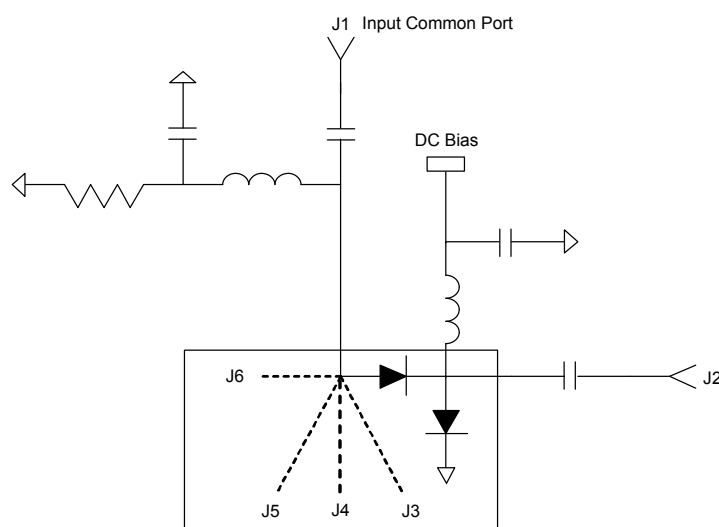
*Output Return Loss vs. Frequency*



## Operation of the MASW-005102-13600 PIN Switch

Operation of the HMIC Series of PIN switches is achieved by the simultaneous application of negative DC current to the low loss port and positive DC current to the remaining isolated switching ports per the Driver Connections table below. The control currents should be supplied by constant current sources. For insertion loss, -10 mA bias results in approximately -2 V, and for Isolation, +10 mA yields approximately +0.9 V at the respective bias nodes. The backside area of the die is the RF and DC return ground plane.

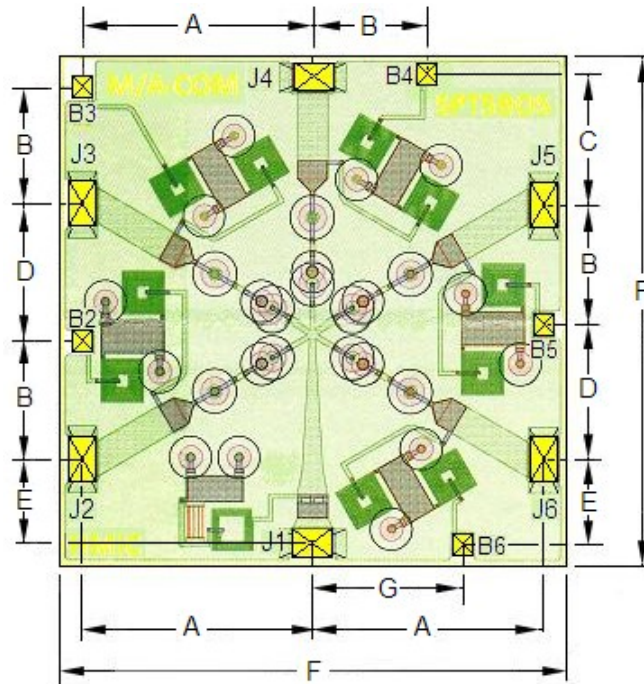
## Typical Bias Network



## Typical Driver Connections

DC Control Current (mA)					RF Output States				
B2	B3	B4	B5	B6	J1-J2	J1-J3	J1-J4	J1-J5	J1-J6
-10	+10	+10	+10	+10	low loss	Isolation	Isolation	Isolation	Isolation
+10	-10	+10	+10	+10	Isolation	low loss	Isolation	Isolation	Isolation
+10	+10	-10	+10	+10	Isolation	Isolation	low loss	Isolation	Isolation
+10	+10	+10	-10	+10	Isolation	Isolation	Isolation	low loss	Isolation
+10	+10	+10	+10	-10	Isolation	Isolation	Isolation	Isolation	low loss

## MASW-005102-13600 Chip Dimensions<sup>5,6</sup>



- 5. Topside and backside metallization is gold, 2.5  $\mu\text{m}$  thick typical.
- 6. Yellow areas indicate wire bonding pads.

DIM	Mils		Millimeters	
	Min.	Max.	Min.	Max.
A	54.0	55.0	1.37	1.40
B	27.0	28.0	0.69	0.71
C	30.0	31.0	0.76	0.79
D	31.0	32.0	0.79	0.81
E	19.0	20.0	0.48	0.51
F	118.5	120.5	3.01	3.06
G	35.0	36.0	0.89	0.91
RF Bond Pads (J1 - J6)	7.0 x 5.0 ref.		0.178 x 0.127 ref.	
DC Bond Pads (B2 - B6)	5.0 x 5.0 ref.		0.127 x 0.127 ref.	
Chip Thickness	5.0 ref.		0.127 ref.	

### Cleanliness

The chips should be handled in a clean environment free of dust and organic contamination.

### Wire / Ribbon Bonding

Thermo compression wedge bonding using 0.003" x 0.00025" ribbon or 0.001" diameter gold wire is recommended. A work stage temperature of 150°C - 200°C, tool tip temperature of 120°C - 150° and a downward force of 18 to 22 grams should be used. If ultrasonic energy is necessary, it should be adjusted to the minimum level required to achieve a good bond. Excessive power or force will fracture the silicon beneath the bond pad causing it to lift. RF bond wires and ribbons should be kept as short as possible for optimum RF performance.

### Chip Mounting

HMIC switches have Ti-Pt-Au backside metallization and can be mounted using a gold-tin eutectic solder or conductive epoxy. Mounting surface must be free of contamination and flat.

### Eutectic Die Attachment

An 80/20, gold-tin, eutectic solder is recommended. Adjust the work surface temperature to 255°C and the tool tip temperature to 265°C. After placing the chip onto the circuit board re-flow the solder by applying hot forming gas (95/5 Ni/H) to the top surface of the chip. Temperature should be approximately 290°C and not exceed 320°C for more than 20 seconds. Typically no more than three seconds is necessary for attachment. Solders rich in tin should be avoided

### Epoxy Die Attachment

A minimum amount of epoxy, 1 - 2 mils thick, should be used to attach chip. A thin epoxy fillet should be visible around the outer perimeter of the chip after placement. Epoxy cure time is typically 1 hour at 150°C.