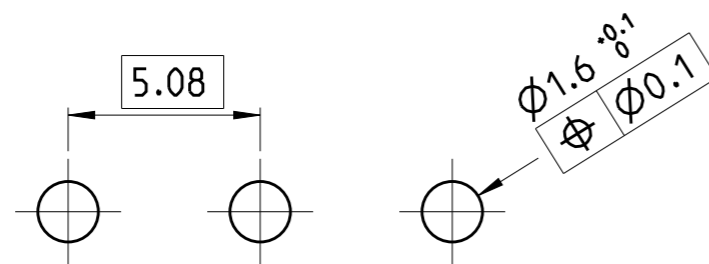
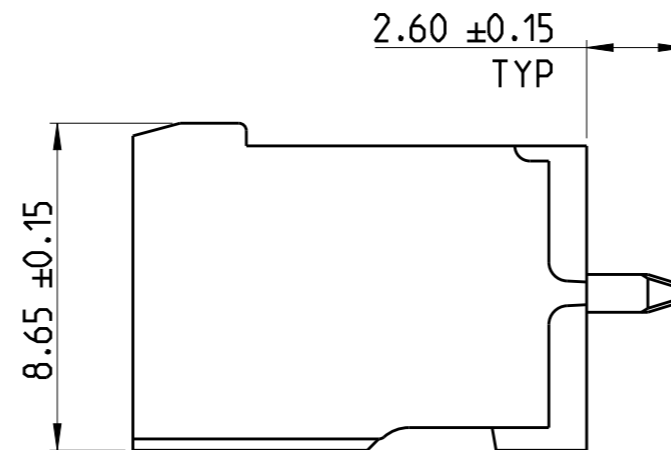
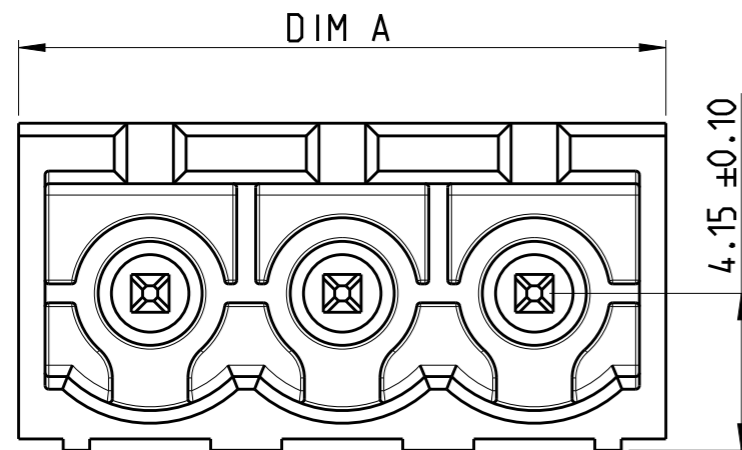
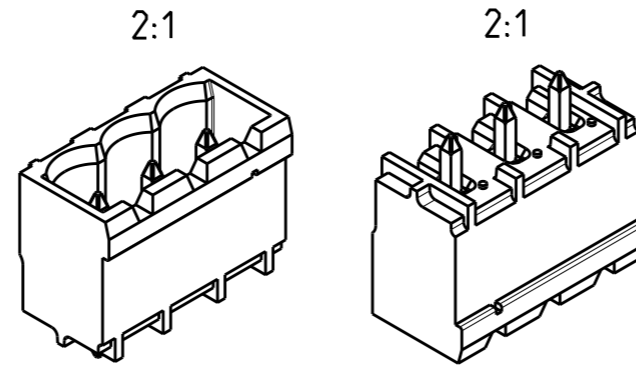
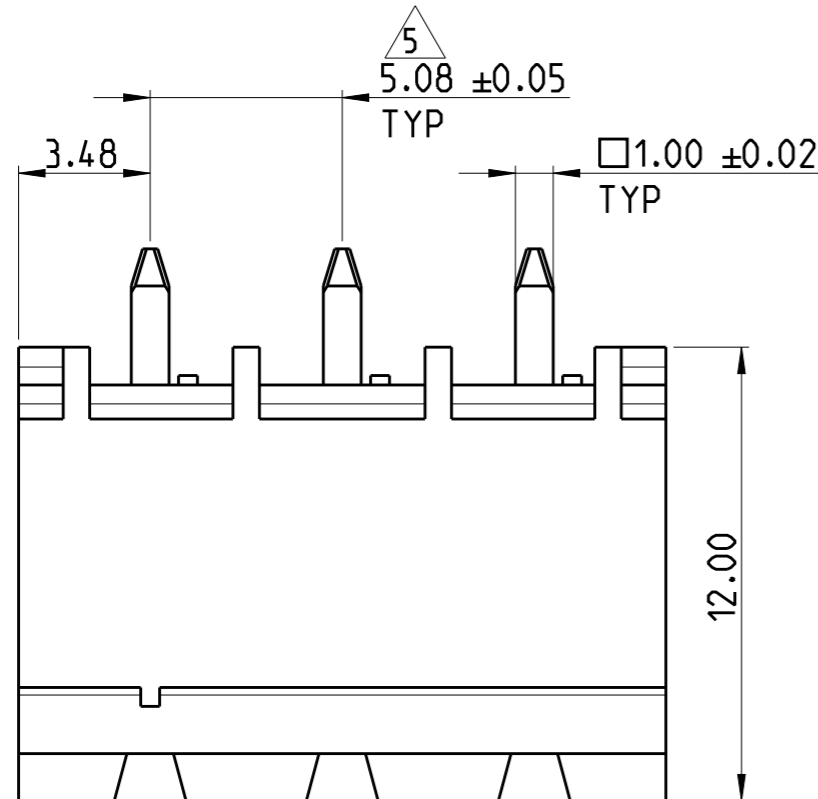


P	LTR	DESCRIPTION	DATE	DWN	APVD
A1		CURRENT RATING CORRECTED FROM 11A TO 15 A	27JAN2020	RK	PS



RECOMMENDED PC BOARD LAYOUT

NOTES:

- MATERIAL AND FINISH:  
HOUSING : HIGH TEMPERATURE POLYAMIDE, UL94V-0  
COLOR BLACK.  
TERMINAL : COPPER ALLOY, TIN PLATED.
- MECHANICAL  
MIN. PC BOARD HOLES DIAMETER : 1.6 mm  
MAX. PC BOARD THICKNESS : 2.4 mm
- ELECTRICAL  
MAX. VOLTAGE : 300 V  
MAX CURRENT : 15 A  
CONTACT RESISTANCE : <15 m Ohm  
INSULATION RESISTANCE : >1000 M Ohm (500V DC)
- OPERATING TEMPERATURE RANGE: -40°C TO +105°C
- △ NOT CUMULATIVE TOLERANCE.
- PARTS ARE PACKED IN BOX.

128.88	25	2-2342084-5
123.80	24	2-2342084-4
118.72	23	2-2342084-3
113.64	22	2-2342084-2
108.56	21	2-2342084-1
103.48	20	2-2342084-0
98.40	19	1-2342084-9
93.32	18	1-2342084-8
88.24	17	1-2342084-7
83.16	16	1-2342084-6
78.08	15	1-2342084-5
73.00	14	1-2342084-4
67.92	13	1-2342084-3
62.84	12	1-2342084-2
57.76	11	1-2342084-1
52.68	10	1-2342084-0
47.60	9	2342084-9
42.52	8	2342084-8
37.44	7	2342084-7
32.36	6	2342084-6
27.28	5	2342084-5
22.20	4	2342084-4
17.12	3	2342084-3
12.04	2	2342084-2
DIM A	NO. OF POS	PART NUMBER

THIS DRAWING IS A CONTROLLED DOCUMENT.		DWN 17DEC 2018 RAGHAVENDRA.K		TE Connectivity NAME HEADER STRAIGHT, HIGH TEMPERATURE, 5.08MM PITCH, TAIL LENGTH 2.6mm	
DIMENSIONS: mm		CHK 19DEC 2018 KARTHIK.JK			
TOLERANCES UNLESS OTHERWISE SPECIFIED:		APVD 19DEC 2018 PRASHANTH.S		PRODUCT SPEC	
0 PLC ±0.3		APPLICATION SPEC		SIZE	
1 PLC ±0.25		WEIGHT		CAGE CODE	
2 PLC ±0.25		CUSTOMER DRAWING		DRAWING NO	
3 PLC ±0.25		SCALE 5:1		SHEET 1 OF 1	
4 PLC ±0.25		REV A1		RESTRICTED TO	
ANGLES ±2°		FINISH		REV	
MATERIAL SEE NOTES		FINISH SEE NOTES		REV A1	