

1-1747066-2 ✓ ACTIVE



## GRACE INERTIA 2.5

TE Internal #: 1-1747066-2

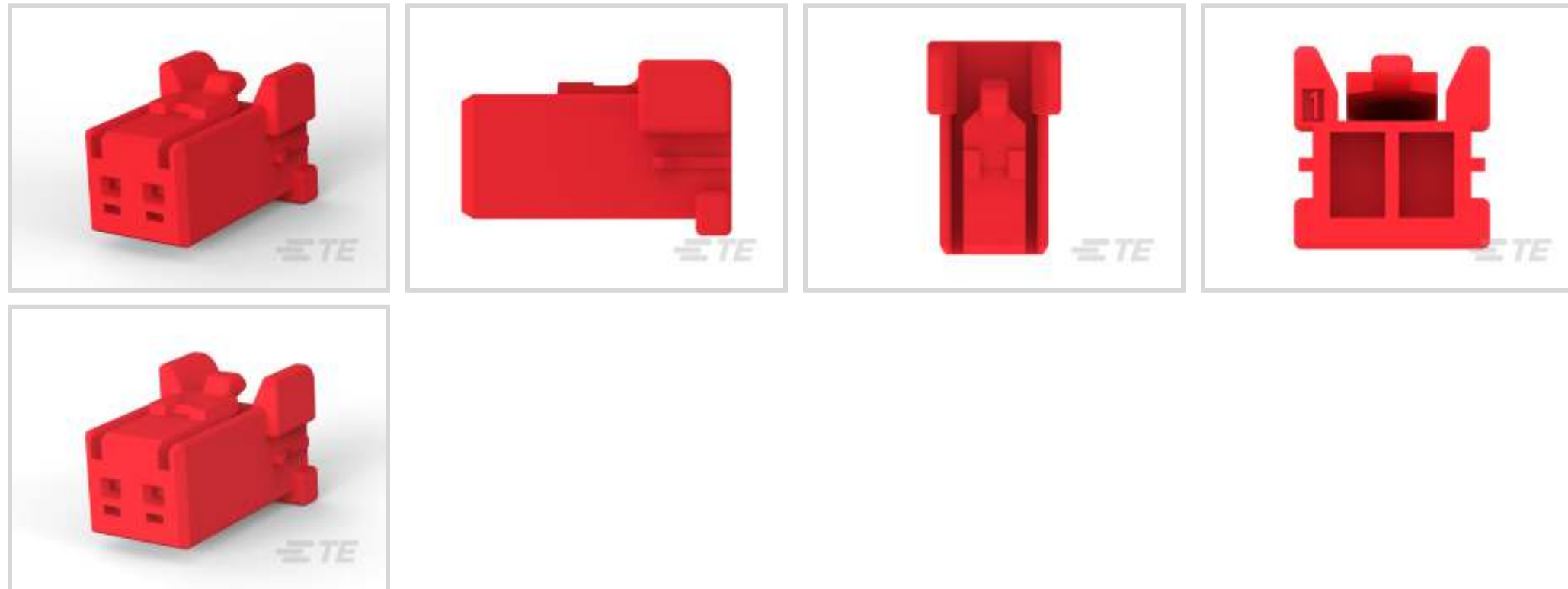
Housing, Plug, Wire-to-Board, 2 Position, .098 in [2.5 mm]

Centerline, Crimp, 1 Row, Red, Mating Retention, Wire & Cable,

GRACE INERTIA 2.5

[View on TE.com >](#)

Connectors > PCB Connectors > Wire-to-Board Connectors > Wire-to-Board Connector Assemblies & Housings



Connector Product Type: **Housing**

Connector & Housing Type: **Plug**

Connector System: **Wire-to-Board**

Number of Positions: **2**

Centerline (Pitch): **2.5 mm [ .098 in ]**

### Features

#### Product Type Features

|                                   |               |
|-----------------------------------|---------------|
| Connector Product Type            | Housing       |
| Connector & Housing Type          | Plug          |
| Connector System                  | Wire-to-Board |
| Sealable                          | No            |
| Connector & Contact Terminates To | Wire & Cable  |

#### Configuration Features

|                     |   |
|---------------------|---|
| Number of Positions | 2 |
| Number of Rows      | 1 |

#### Electrical Characteristics

|                   |        |
|-------------------|--------|
| Operating Voltage | 50 VAC |
|-------------------|--------|

#### Body Features

|                       |     |
|-----------------------|-----|
| Primary Product Color | Red |
|-----------------------|-----|

#### Contact Features

|  |  |
|--|--|
|  |  |
|--|--|



|                       |              |
|-----------------------|--------------|
| Contact Layout        | Inline       |
| Contact Type          | Tab          |
| Contact Base Material | Copper Alloy |

#### Termination Features

|                                    |       |
|------------------------------------|-------|
| Termination Method to Wire & Cable | Crimp |
|------------------------------------|-------|

#### Mechanical Attachment

|                         |                            |
|-------------------------|----------------------------|
| Strain Relief           | Without                    |
| Panel Mount Feature     | Without                    |
| PCB Mount Retention     | Without                    |
| Mating Retention Type   | Latch                      |
| Mating Retention        | With                       |
| Connector Mounting Type | Cable Mount (Free-Hanging) |

#### Housing Features

|                             |                 |
|-----------------------------|-----------------|
| Housing Entry Configuration | Both Ends Open  |
| Housing Material            | Nylon 6/6 GF    |
| Centerline (Pitch)          | 2.5 mm[.098 in] |

#### Dimensions

|                  |                 |
|------------------|-----------------|
| Connector Length | 7.1 mm[.279 in] |
| Connector Height | 7.35 mm[.28 in] |

#### Usage Conditions

|                             |                            |
|-----------------------------|----------------------------|
| Operating Temperature Range | -30 – 105 °C[-22 – 221 °F] |
|-----------------------------|----------------------------|

#### Operation/Application

|                     |                |
|---------------------|----------------|
| Circuit Application | Power & Signal |
|---------------------|----------------|

#### Industry Standards

|                  |                               |
|------------------|-------------------------------|
| Glow Wire Rating | Standard Part - Not Glow Wire |
|------------------|-------------------------------|

#### Packaging Features

|                    |      |
|--------------------|------|
| Packaging Quantity | 1000 |
| Packaging Method   | Bag  |

#### Product Compliance

[For compliance documentation, visit the product page on TE.com>](#)

|                              |           |
|------------------------------|-----------|
| EU RoHS Directive 2011/65/EU | Compliant |
|------------------------------|-----------|



|   |   |
|---|---|
| EU ELV Directive 2000/53/EC                   | Compliant   |
| China RoHS 2 Directive MIIT Order No 32, 2016 | No Restricted Materials Above Threshold   |
| EU REACH Regulation (EC) No. 1907/2006        | Current ECHA Candidate List: JUNE 2023 (235)<br>Candidate List Declared Against: JUNE 2023 (235)<br>Does not contain REACH SVHC |
| Halogen Content                               | Low Halogen - Br, Cl, F, I < 900 ppm per homogenous material. Also BFR/CFR/PVC Free   |
| Solder Process Capability                     | Not applicable for solder process capability  |

Product Compliance Disclaimer

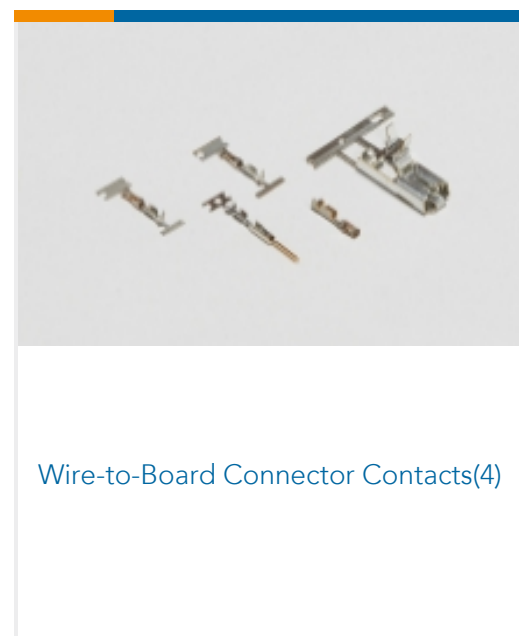
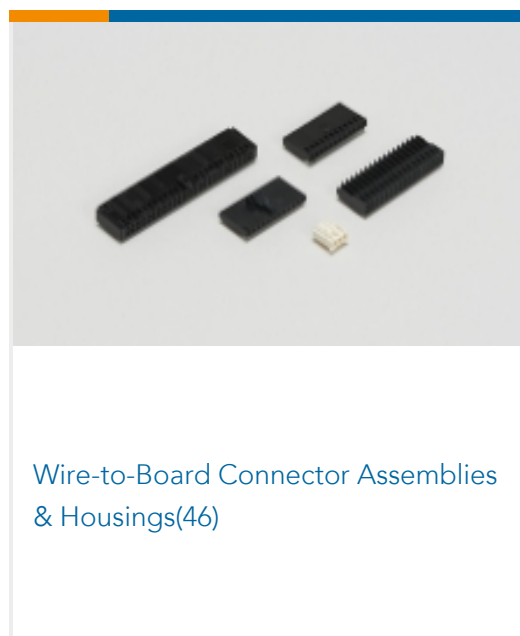
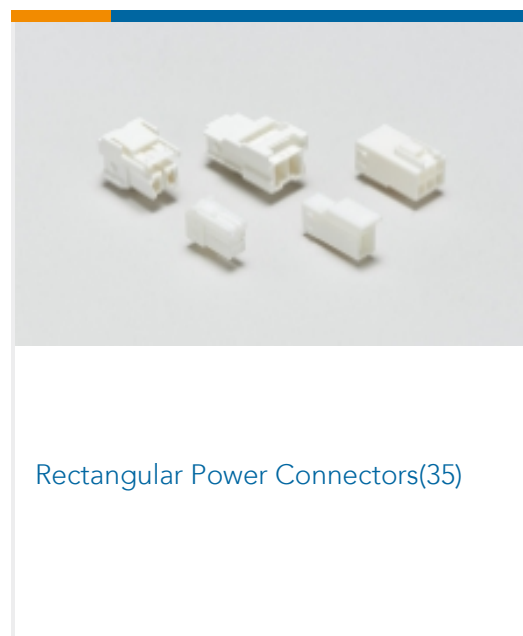
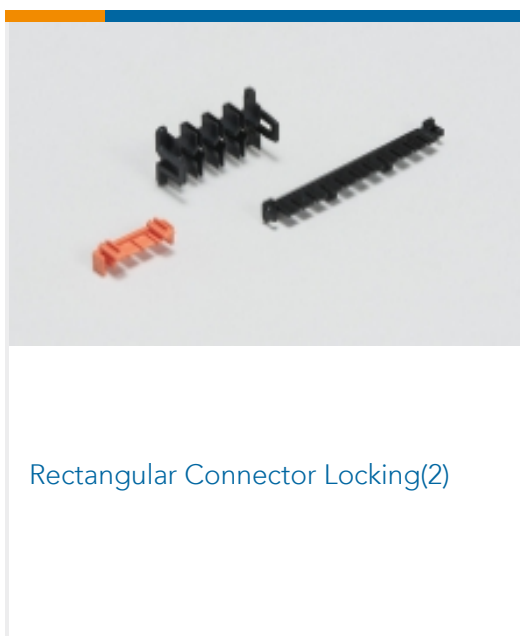
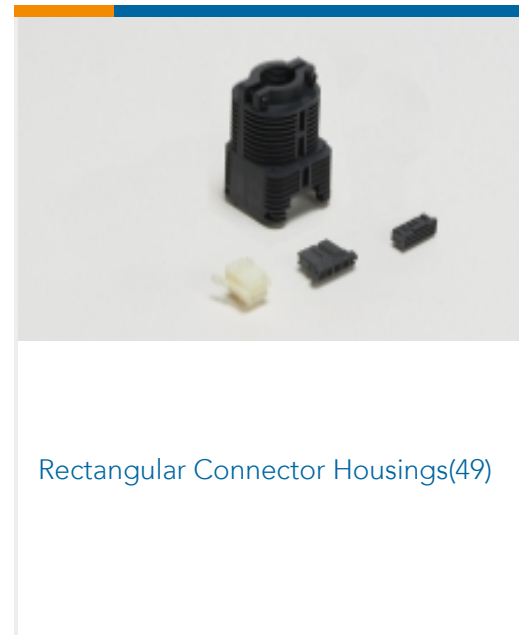
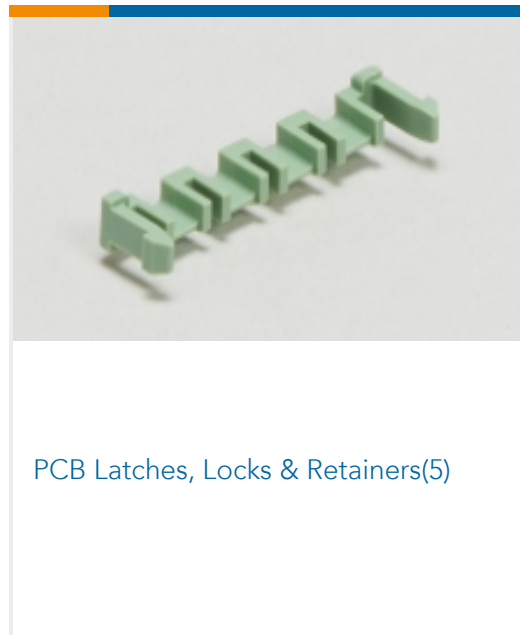
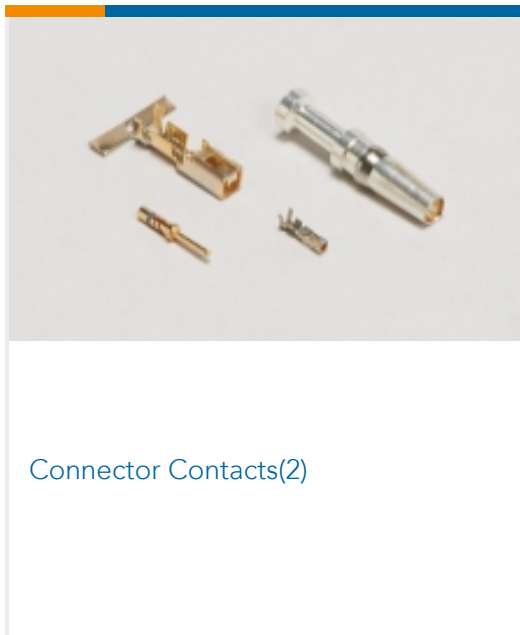
This information is provided based on reasonable inquiry of our suppliers and represents our current actual knowledge based on the information they provided. This information is subject to change. The part numbers that TE has identified as EU RoHS compliant have a maximum concentration of 0.1% by weight in homogenous materials for lead, hexavalent chromium, mercury, PBB, PBDE, DBP, BBP, DEHP, DIBP, and 0.01% for cadmium, or qualify for an exemption to these limits as defined in the Annexes of Directive 2011/65/EU (RoHS2). Finished electrical and electronic equipment products will be CE marked as required by Directive 2011/65/EU. Components may not be CE marked. Additionally, the part numbers that TE has identified as EU ELV compliant have a maximum concentration of 0.1% by weight in homogenous materials for lead, hexavalent chromium, and mercury, and 0.01% for cadmium, or qualify for an exemption to these limits as defined in the Annexes of Directive 2000/53/EC (ELV). Regarding the REACH Regulation, the information TE provides on SVHC in articles for this part number is based on the latest European Chemicals Agency (ECHA) 'Guidance on requirements for substances in articles' posted at this URL: <https://echa.europa.eu/guidance-documents/guidance-on-reach>

## Compatible Parts

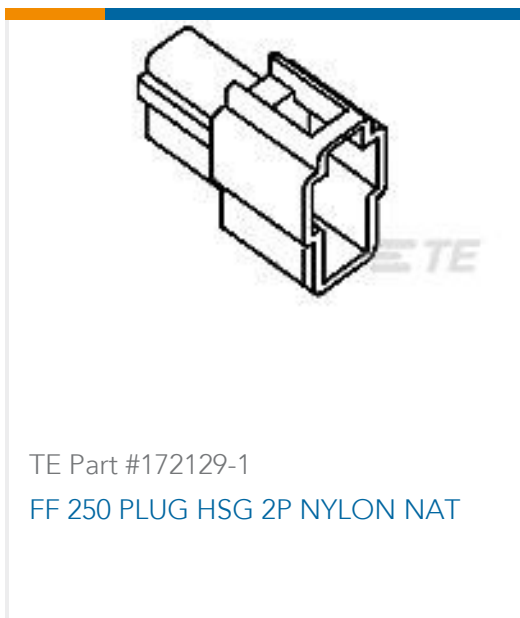
|   |   |  |   |
|---|---|--|---|
|  <p>TE Part # 6-1747072-2<br/>GRACE INERTIA CONN 2.5 ON TAPE HDR 2P RE</p> |  <p>TE Part # CAT-G7534A-R2435<br/>Sig GRACE INERTIA Receptacle</p> |  <p>TE Part # CAT-G7534A-C1701<br/>STD Temp Sig GRACE INERTIA Cap</p> |  <p>TE Part # 1-1747067-2<br/>GRACE INERTIA CONN 2.5 HDR ASSY 2P RED</p> |
|  <p>TE Part # 1903391-1<br/>GIC 2.5 W CAP HSG 2P NATURAL</p>               |  <p>TE Part # 1903388-1<br/>GIC 2.5 W PLUG HSG 2P NATURAL</p>       |  <p>TE Part # 1-1903391-2<br/>GIC 2.5 W CAP HSG 2P RED</p>            |  <p>TE Part # 1-1903388-2<br/>GIC 2.5 W PLUG HSG 2P RED</p>              |



Also in the Series | GRACE INERTIA 2.5



Customers Also Bought





## Documents

### Product Drawings

[GRACE INERTIA CONN 2.5 PLUG HSG 2P RED](#)

English

---

### CAD Files

Customer View Model

[ENG\\_CVM\\_CVM\\_1-1747066-2\\_E.2d\\_dxf.zip](#)

English

3D PDF

3D

Customer View Model

[ENG\\_CVM\\_CVM\\_1-1747066-2\\_E.3d\\_igs.zip](#)

English

Customer View Model

[ENG\\_CVM\\_CVM\\_1-1747066-2\\_E.3d\\_stp.zip](#)

English

By downloading the CAD file I accept and agree to the [Terms and Conditions](#) of use.

---

### Product Specifications

[Application Specification](#)

English

---

### Product Environmental Compliance

[TE Material Declaration](#)

English