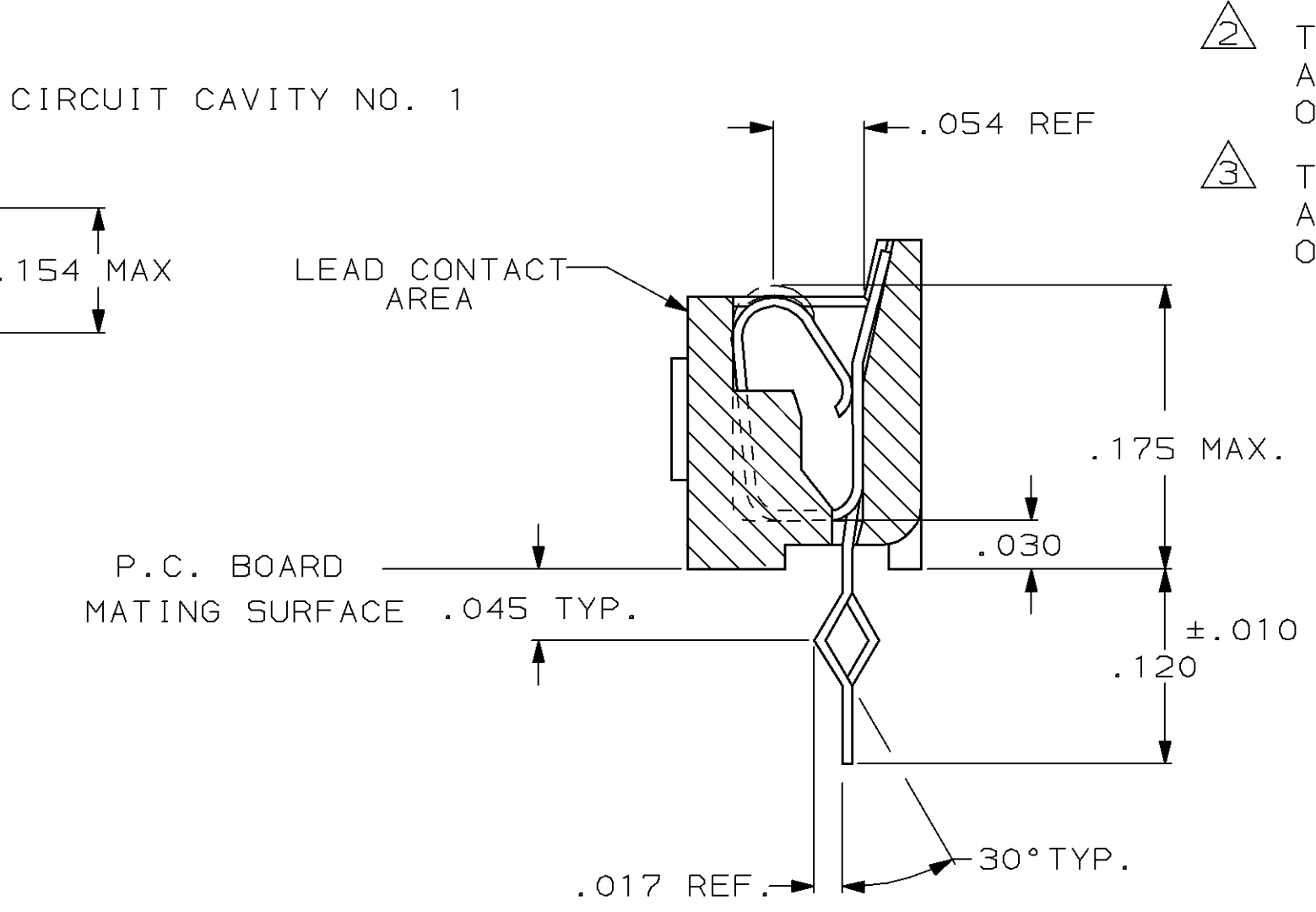
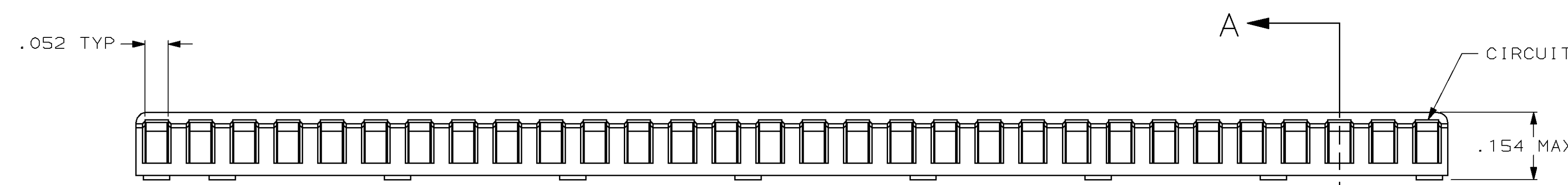
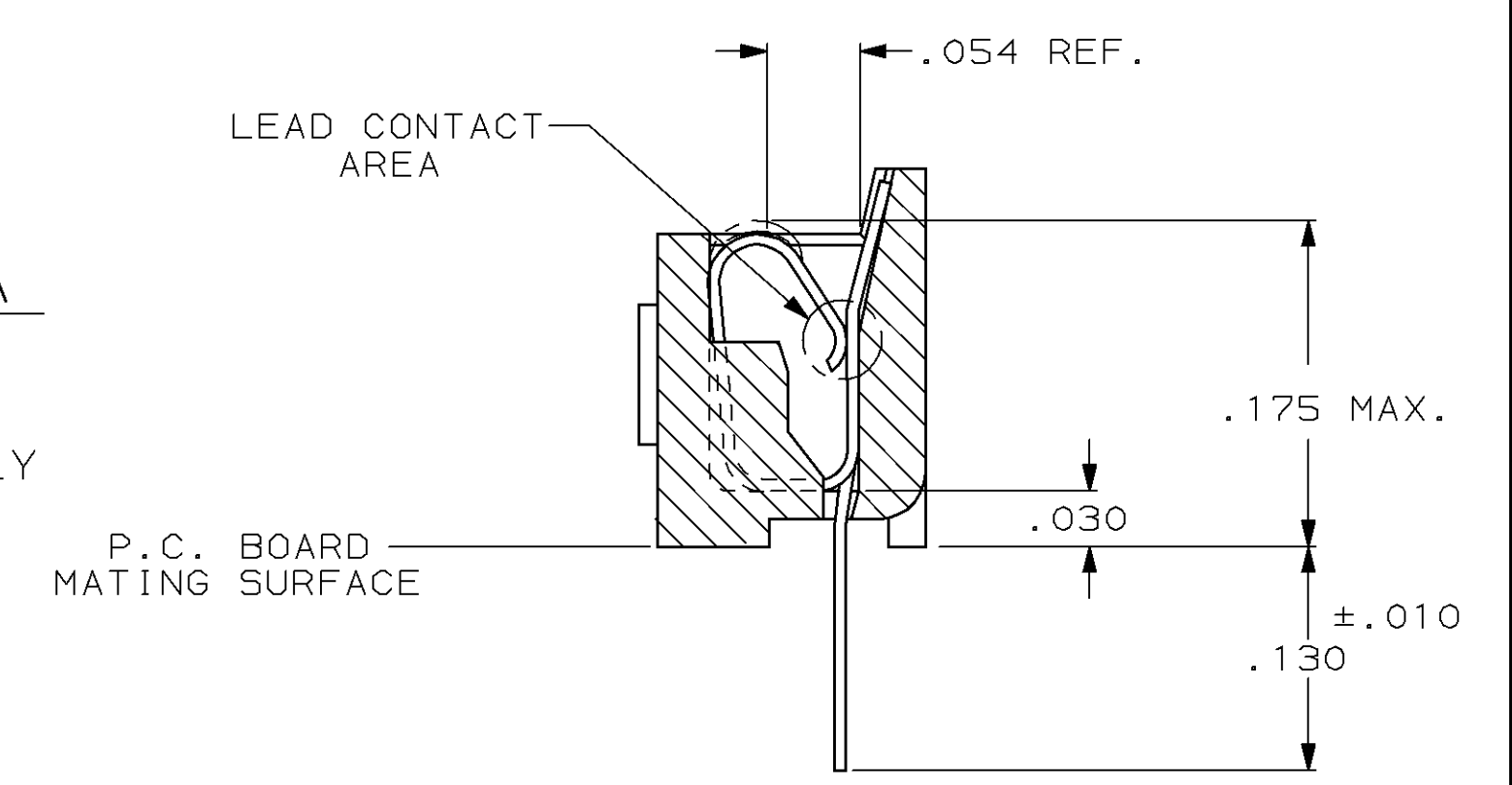


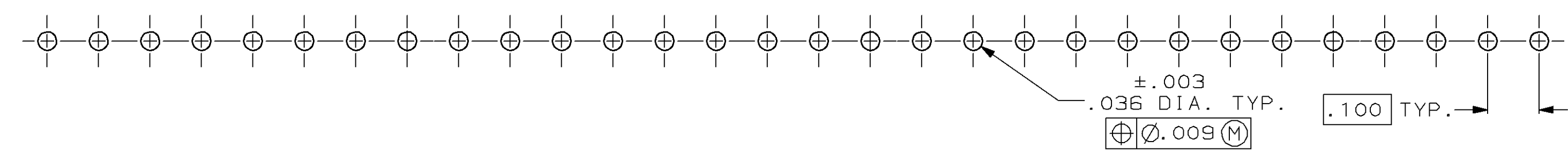
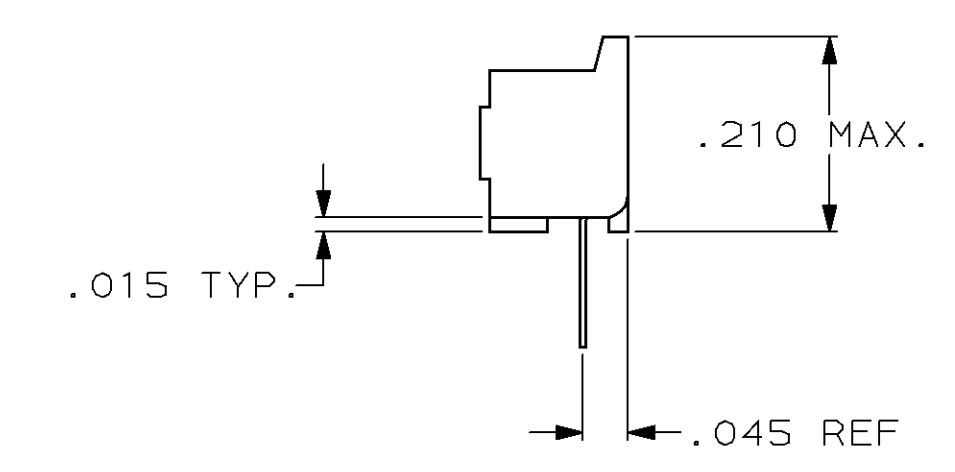
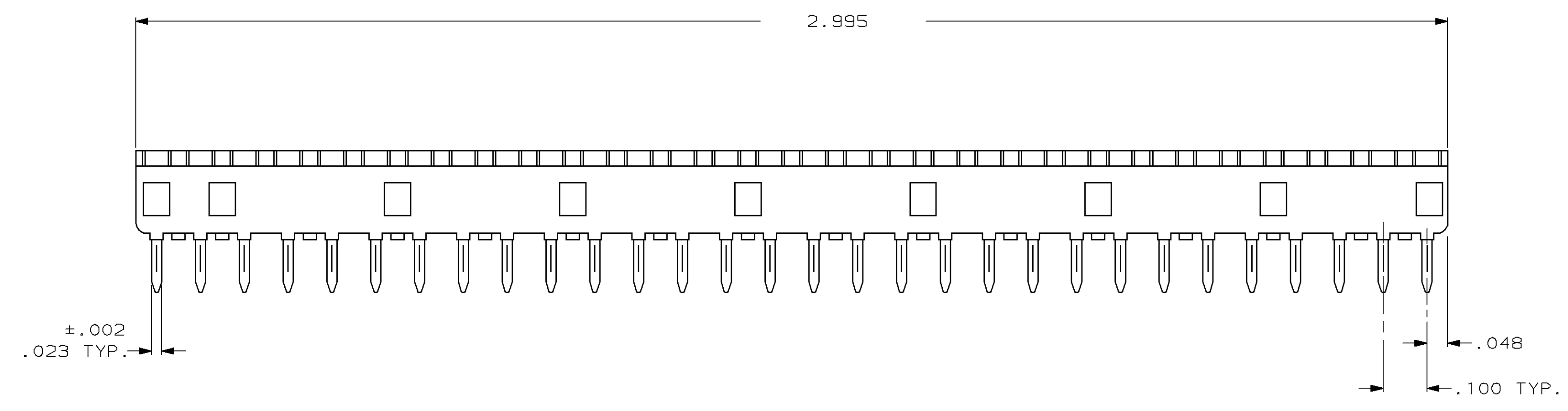
LOC	DIST	REVISIONS			
P	LTR	DESCRIPTION	DATE	OWN	APVD
H		REV PER EC 0320-138-97	12 MAY 97	MB	GJ
J		REV PER EC 0330-35-97	21 JUL 97	DH	GJ



SECTION A-A
 ROTATED 90° CW
 SCALE 10:1
 FOR -6, -7 & -8 ONLY



SECTION A-A
 ROTATED 90° CW
 SCALE 10:1
 FOR -1, -2 & -3 ONLY



RECOMMENDED MOUNTING HOLE PATTERN

OBSOLETE	TINNED	PHOS.BRZ.	GLASS-FILLED THERMOPLASTIC, 94V-0, BLACK	643662-8
OBSOLETE		BE.CU.	GLASS-FILLED THERMOPLASTIC, 94V-0, BLACK	643662-7
OBSOLETE	TINNED	BE.CU.	GLASS-FILLED THERMOPLASTIC, 94V-0, BLACK	643662-6
SUPSD BY 643662-2		PHOS.BRZ.	GLASS-FILLED THERMOPLASTIC, 94V-0, BLACK	643662-4
OBSOLETE	TINNED	PHOS.BRZ.	GLASS-FILLED THERMOPLASTIC, 94V-0, BLACK	643662-3
OBSOLETE		BE.CU.	GLASS-FILLED THERMOPLASTIC, 94V-0, BLACK	643662-2
OBSOLETE	TINNED	BE.CU.	GLASS-FILLED THERMOPLASTIC, 94V-0, BLACK	643662-1
CONTACT FINISH		CONTACT MAT'L	HOUSING MATERIAL	PART NO.

THIS DRAWING IS A CONTROLLED DOCUMENT.

DIMENSIONS INCHES	TOLERANCES UNLESS OTHERWISE SPECIFIED:	DWN M. CYRUS 6-11-84	AMP Incorporated Harrisburg, PA 17105-3608
0 PLC ±.005	1 PLC ±.005	CHK N. JONES 7-3-84	
2 PLC ±.005	3 PLC ±.005	APVD J. GRAY 7-10-84	
4 PLC ±.005	ANGLES ±.1°	NAME	SOCKET ASSY, SIP, 30 POS, DIPLOMATE™ DL
MATERIAL SEE TABLE	FINISH SEE TABLE	PRODUCT SPEC 108-1066	SIZE CAGE CODE DRAWING NO RESTRICTED TO
		APPLICATION SPEC 114-1049	A1 00779 C-643662
		WEIGHT -	CUSTOMER DRAWING SCALE 5:1 SHEET 1 OF 1 REV J