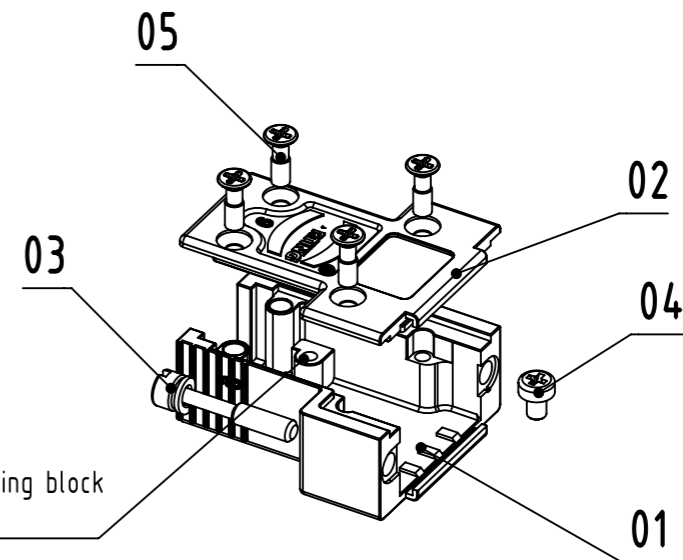


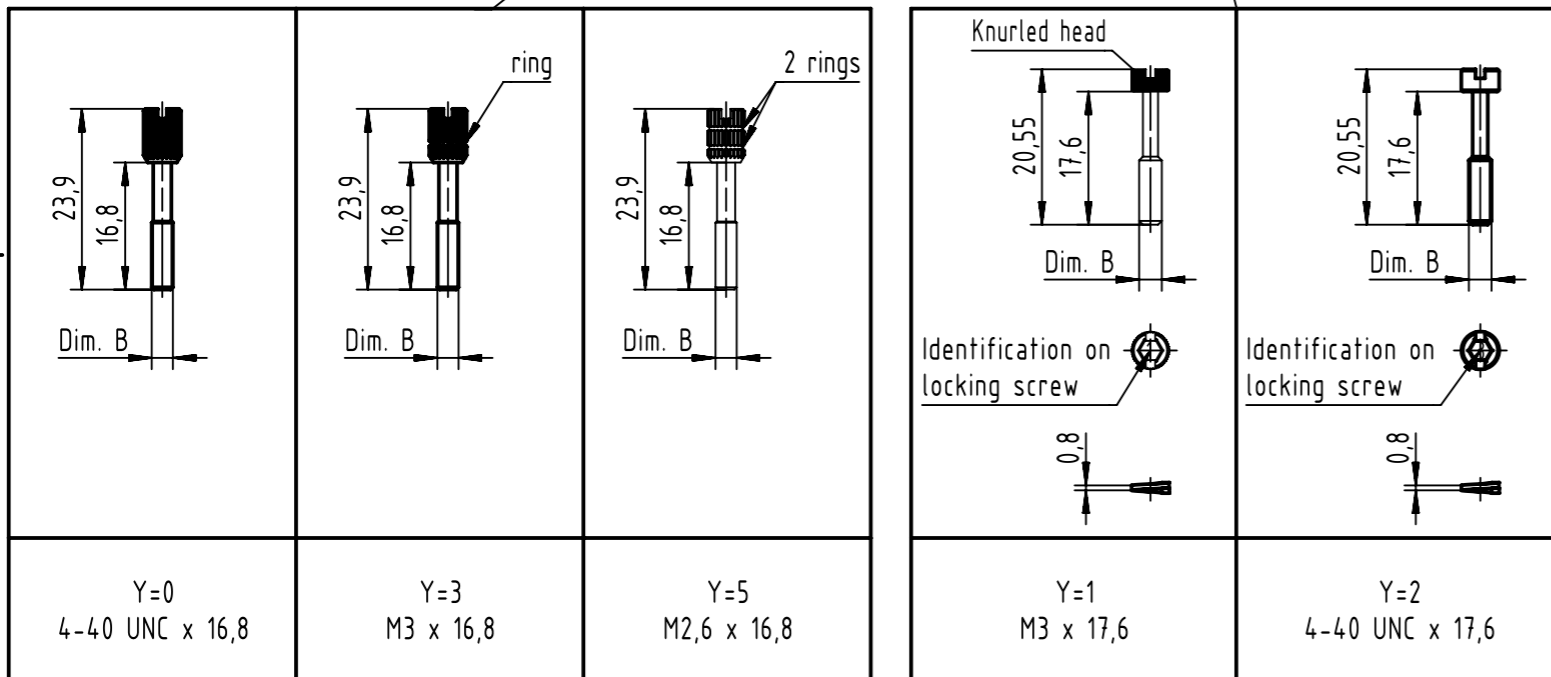
Hexagonal head screw driver
P/N 61 03 600 0021
for hexagonal head screw
max. torque=0,5Nm

1 cable entry



Internal grounding block
(optional)

For strain relief an additional InduCom cable clamp or a crimp flange and ferrule combination depending on the cable is necessary



Content InduCom hood			Spare parts (MOQ100)	
Pos.	Quantity	Description	Part Number	Quantity
01	1	metal hood		
02	1	metal cover		
03	2	locking screw (assembled):		
		either knurled thumb screws 4-40 UNC (for 0010)	0967 002 9018	1
		or hexagonal M3 with captive washer (for 1010)	0967 002 9019	1
		or hexagonal 4-40 UNC with captive washer (for 2010)	0967 002 9020	1
		or knurled thumb screws M3 (for 3010)	0967 002 9017	1
		or knurled thumb screws M2,6 (for 5010)		
04	1	grounding screw (not assembled) for version with internal grounding block	0963 002 0007	1
05	4	cover screw M2,5 with philips head (not losable in cover) max. torque=0,3Nm	0963 002 0006	1

Part Number	Dim. B screw size	Screw type	Identification for locking screw	Internal grounding block
6103 001 0010	4-40 UNC	Knurled thumb screw	Without ring	With internal grounding block
6103 001 1010	M3	Hexagonal screw with captive washer	1 & Knurled head	
6103 001 2010	4-40 UNC	Hexagonal screw with captive washer	3	
6103 001 3010	M3	Knurled thumb screw	With ring	
6103 001 5010	M2,6	Knurled thumb screw	With 2 rings	
6103 001 0010 010	4-40 UNC	Knurled thumb screw	Without ring	Without internal grounding block
6103 001 1010 010	M3	Hexagonal screw with captive washer	1 & Knurled head	
6103 001 2010 010	4-40 UNC	Hexagonal screw with captive washer	3	
6103 001 3010 010	M3	Knurled thumb screw	With ring	

All Dimensions in mm Original Size DIN A3 Scale 1:1 Free size tol. Ref. Sub.

All rights reserved Department EL PD Created by ZENGDO Inspected by LUOK Standardisation ROEBEN Date 2021-11-05 State Final Release

D-32339 Espelkamp Title InduCom 9-pole straight full metal hood Doc-Key / ECM-Nr. 100539388/UGD/004/A 50000205348

Type TB Number 6103001Y010 Rev. A Page 1/1