

Flat suction pad (round)

SUF 12 NBR-55 M5-AG

Part no.:10.01.01.14154

<https://www.schmalz.com/10.01.01.14154>

Home > Vacuum Technology for Automation > Vacuum Components > Vacuum Suction Cups > Suction Cups for the Electronics Industry > Flat Suction Cups SUF > SUF 12 NBR-55 M5-AG

Flat suction cup (round) for process safe handling of smooth or slightly rough surfaces



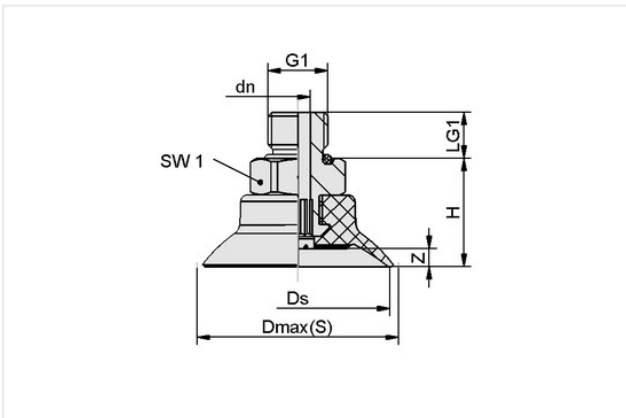
Size: 12

Suction cup material: Nitrile rubber NBR

Material hardness [Shore A]: 55 Shore A

Vacuum connection: M5-M

Design Data



Attribute	Value
Dmax(S)	13.20 mm
Ds	12 mm
dn	1.80 mm
G1	M5-M
H	13.60 mm
LG1	4.70 mm
SW1	8 mm
Z (Stroke)	1.20 mm

Technical Data

Attribute	Value
Suction force (-600mbar)	5 N
Pull-off force	5 N
Volume	0.12 cm ³
Curve radius (min) (convex)	12.50 mm
Hose diameter (empf.) d	2 mm
Size	12
Suction cup material	Nitrile rubber NBR
Material hardness [Shore A]	55 Shore A

Contact Schmalz

Schmalz Inc. | 5850 Oak Forest Drive, Raleigh, NC 27616, United States | +1 (919) 713-0880 | schmalz.us@schmalz.com

Flat suction pad (round)

SUF 12 NBR-55 M5-AG

Part no...:10.01.01.14154

<https://www.schmalz.com/10.01.01.14154>

Weight	1.70 g
Product family	SUF
Number of folds	0

Note: Suction force: The specified suction forces are theoretical values at a vacuum of -0.6 bar and with a dry, smooth and flat workpiece surface - they do not include a safety factor
Hose diameter: The recommended hose diameter refers to a hose length of approx. 2 m

Spare parts



SC 030 M5-AG

Part no...:10.01.06.02802

Connection geometry: 030

Connection: M5-M

Length L1: 15.5 mm

Fitting length: 5 mm

Nominal diameter dn: 1.8 mm



SUF 12 NBR-55 SC030

Part no...:10.01.01.13944

Size: 12

Suction cup material: Nitrile rubber NBR

Material hardness [Shore A]: 55 Shore A