

967542-1 ✓ ACTIVE

AMP | 1.5/2.8 Connector System, Sensor Flat Contact System

TE Internal #: 967542-1

Automotive Terminals, Receptacle, Mating Tab Width 2.8 mm [.11 in], Tab Thickness .8 mm [.031 in], 20 – 17 AWG Wire Size, Sensor Flat Contact System

[View on TE.com >](#)



Terminals & Splices > Automotive Terminals > AMP MCP, SFC, RECEPTACLE



Terminal Type: **Receptacle**

Mating Tab Width: **2.8 mm [.11 in]**

Mating Tab Thickness: **.8 mm [.031 in]**

Terminal Transmits: **0 – 24 A (Low Power)**

Wire Size: **20 – 17 AWG**

[All AMP MCP, SFC, RECEPTACLE \(24\)](#)

Features

Product Type Features

| | |
|-------------------------|------------|
| Receptacle Style | 180° |
| Sealable | Yes |
| Primary Locking Feature | Clean Body |

Body Features

| | |
|--------------------|------------------------|
| Terminal Seal Type | Single Wire Seal (SWS) |
|--------------------|------------------------|

Contact Features

| | |
|--|------------------|
| Contact Size | 2.8mm |
| Contact Fabrication | Stamped & Formed |
| Wire Contact Termination Area Plating Material | Tin |
| Typical Current Rating | 15 A |
| Crimp Type | F-Crimp |
| Terminal Type | Receptacle |
| Mating Tab Width | 2.8 mm[.11 in] |
| Mating Tab Thickness | .8 mm[.031 in] |
| Interface Plating | Tin (Sn) |

Termination Features



| | |
|------------------------------------|-------|
| Termination Method to Wire & Cable | Crimp |
| Product Terminates To | Wire |

Dimensions

| | |
|--------------------------------------|--------------------------------|
| Compatible Insulation Diameter Range | 1.3 – 2.1 mm [.051 – .083 in] |
| Wire Size | .5 – 1 mm ² |
| Wire Size Search | 17 AWG, 18 AWG, 19 AWG, 20 AWG |

Usage Conditions

| | |
|-----------------------------|--|
| Insulation Option | Uninsulated |
| Operating Temperature (Max) | 80 °C, 85 °C, 90 °C, 100 °C, 105 °C, 110 °C, 120 °C, 125 °C, 130 °C [176 °F][185 °F][194 °F][212 °F][221 °F][230 °F][248 °F][257 °F][266 °F] |
| Operating Temperature Range | -40 – 130 °C [-40 – 266 °F] |

Operation/Application

| | |
|------------------------------------|--------|
| Compatible With Wire Base Material | Copper |
|------------------------------------|--------|

Industry Standards

| | |
|-----------------|-------|
| Agency/Standard | LV214 |
|-----------------|-------|

Packaging Features

| | |
|--------------------|------|
| Packaging Quantity | 4000 |
| Packaging Method | Reel |

Other

| | |
|--------------------|----------------------|
| Terminal Transmits | 0 – 24 A (Low Power) |
|--------------------|----------------------|

Product Compliance

[For compliance documentation, visit the product page on TE.com>](#)

| | |
|---|--|
| EU RoHS Directive 2011/65/EU | Compliant |
| EU ELV Directive 2000/53/EC | Compliant |
| China RoHS 2 Directive MIIT Order No 32, 2016 | No Restricted Materials Above Threshold |
| EU REACH Regulation (EC) No. 1907/2006 | Current ECHA Candidate List: JUNE 2023 (235) Candidate List Declared Against: JAN 2023 (233) Does not contain REACH SVHC |
| Halogen Content | Low Halogen - Br, Cl, F, I < 900 ppm per homogenous material. Also BFR/CFR/PVC |

Free

Solder Process Capability

Not applicable for solder process capability

Product Compliance Disclaimer

This information is provided based on reasonable inquiry of our suppliers and represents our current actual knowledge based on the information they provided. This information is subject to change. The part numbers that TE has identified as EU RoHS compliant have a maximum concentration of 0.1% by weight in homogenous materials for lead, hexavalent chromium, mercury, PBB, PBDE, DBP, BBP, DEHP, DIBP, and 0.01% for cadmium, or qualify for an exemption to these limits as defined in the Annexes of Directive 2011/65/EU (RoHS2). Finished electrical and electronic equipment products will be CE marked as required by Directive 2011/65/EU. Components may not be CE marked. Additionally, the part numbers that TE has identified as EU ELV compliant have a maximum concentration of 0.1% by weight in homogenous materials for lead, hexavalent chromium, and mercury, and 0.01% for cadmium, or qualify for an exemption to these limits as defined in the Annexes of Directive 2000/53/EC (ELV). Regarding the REACH Regulation, the information TE provides on SVHC in articles for this part number is based on the latest European Chemicals Agency (ECHA) 'Guidance on requirements for substances in articles' posted at this URL: <https://echa.europa.eu/guidance-documents/guidance-on-reach>

Compatible Parts



TE Part # 4-1579007-3
EXTRACTION TOOL KIT



TE Part # 1579007-1
AUSDRUECKWERKZEUG



TE Part # 936060-1
2.8MM SLD 3P PLUG ASSY-TDC



TE Part # 828904-2
SINGLE WIRE SEAL FOR J.P.T.CON



TE Part # 1976143-1
SDE COMMERCIAL TOOL OR DIE



TE Part # 2305570-1
Strip Terminal Cutter-Side Feed-No Crimp



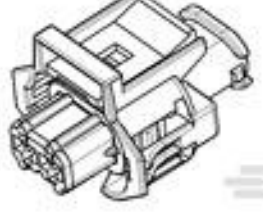
TE Part # CAT-AM705-CH8172
AMP MCP, SEALED CONNECTOR HOUSING



TE Part # 1-1718624-2
2 POS HSG AMP MCP 2.8 ASSY



TE Part # 1480968-1
ASSY 4 POSN. 2.8MM REC.



TE Part # 1-936059-1
2.8MM SLD 2P PLUG ASSY



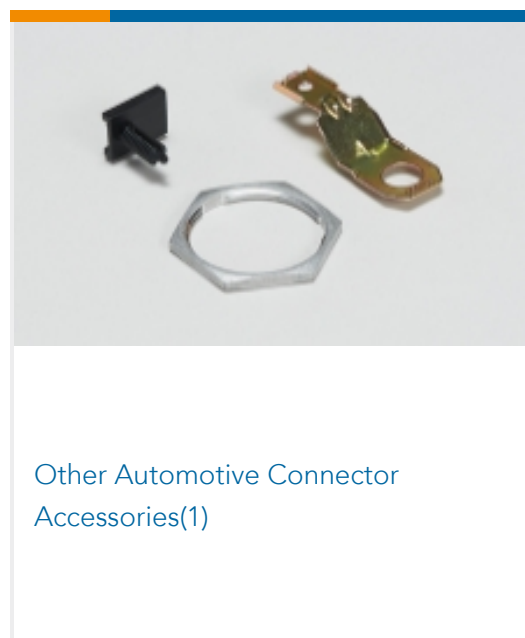
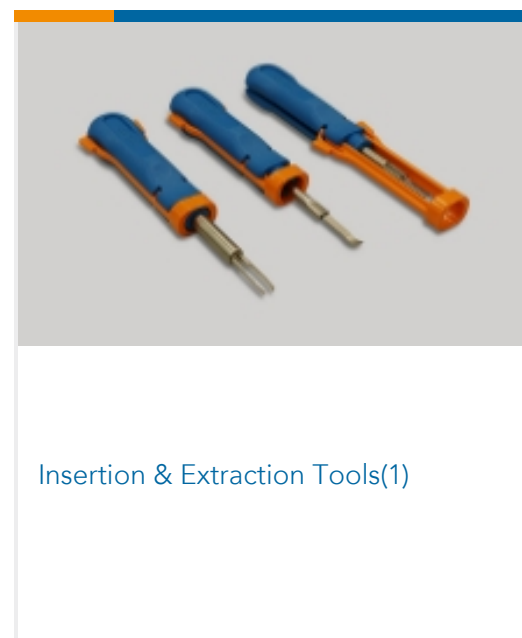
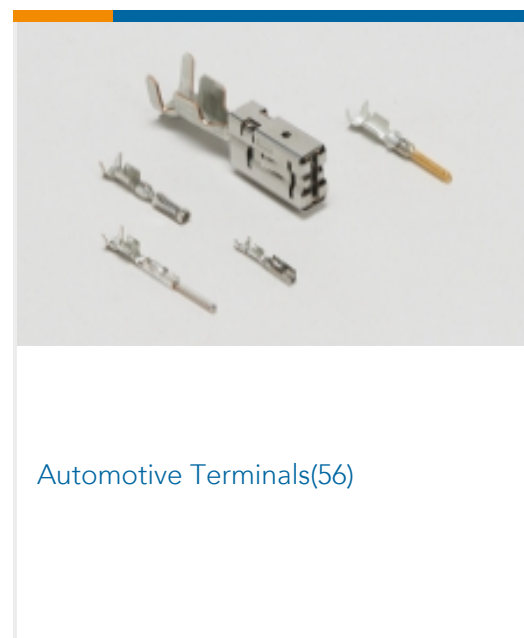
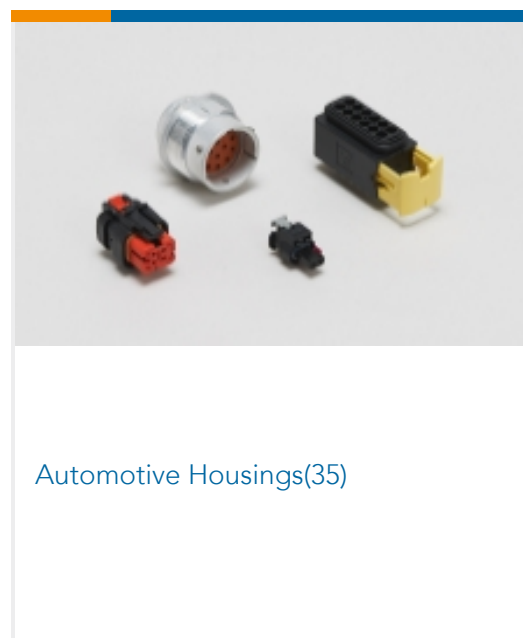
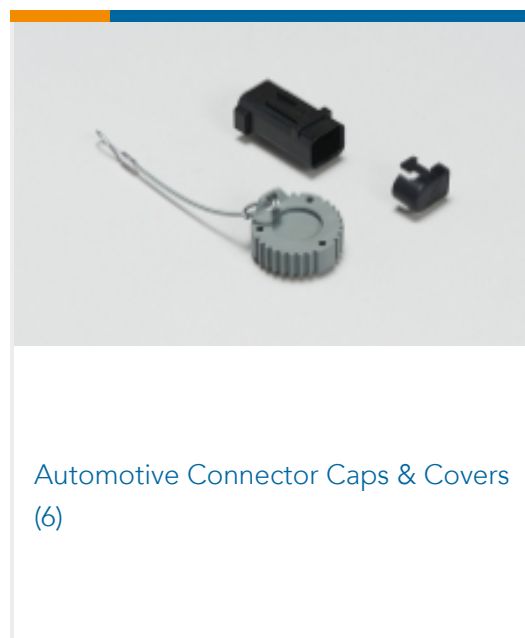
TE Part # 2050046-1
2POS 2.8MM SENSOR PLUG ASSY.



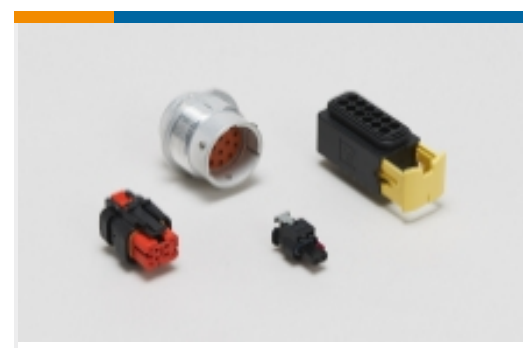
TE Part # 2050052-1
4POS 2.8MM SENSOR PLUG ASSY.



Also in the Series | **1.5/2.8 Connector System**



Also in the Series | **Sensor Flat Contact System**

Automotive Connector Caps & Covers
(12)

Automotive Housings(56)

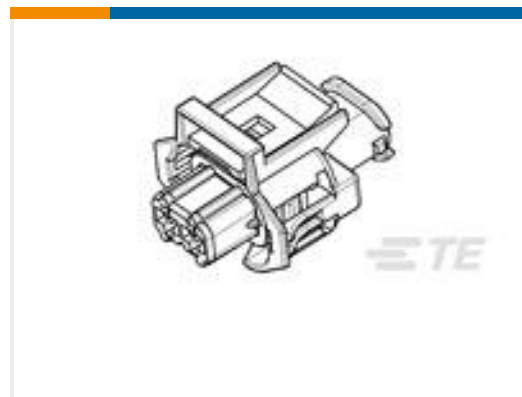
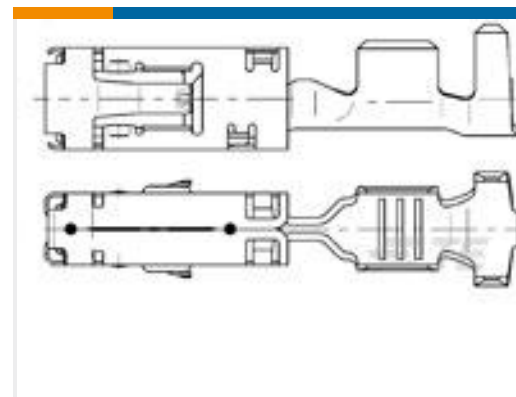
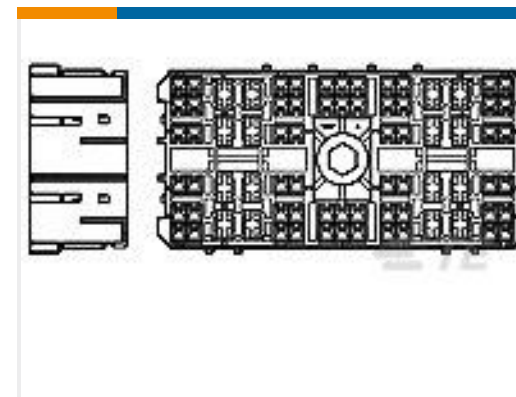


Automotive Terminals(23)



Insertion & Extraction Tools(7)

Customers Also Bought

TE Part #936394-2
2.8MM SLD 6P PLUG ASSYTE Part #928966-2
TIMER, RECEPTACLE AND TABTE Part #967542-2
SENS FLA-KONT 2,8TE Part #2-936321-3
090/SPT HYB 32P PLUG ASSY GRAYTE Part #5-968220-5
MQS0,63 Au rec CB unseal. 0,2-0,35TE Part #2050052-1
4POS 2.8MM SENSOR PLUG ASSY.TE Part #1456968-8
CONTACT,FEMALE, 0,64, 0,35SQMM,
AG, DIRTE Part #2005390-6
JPT SLD 3P PLUG ASSY-1S BLK

Documents

Product Drawings

SENSOR FLA-KONT 2,8

English

SENSOR FLA-KONT 2,8

English

CAD Files

Customer View Model

[ENG_CVM_967542-1_C5.3d_igs.zip](#)

English

Customer View Model

[ENG_CVM_967542-1_C5.3d_stp.zip](#)

English

Customer View Model

[ENG_CVM_967542-1_C5.2d_dxf.zip](#)

English

[3D PDF](#)



English

By downloading the CAD file I accept and agree to the [Terms and Conditions](#) of use.

Product Specifications

Application Specification

German

Application Specification

English

Application Specification

English