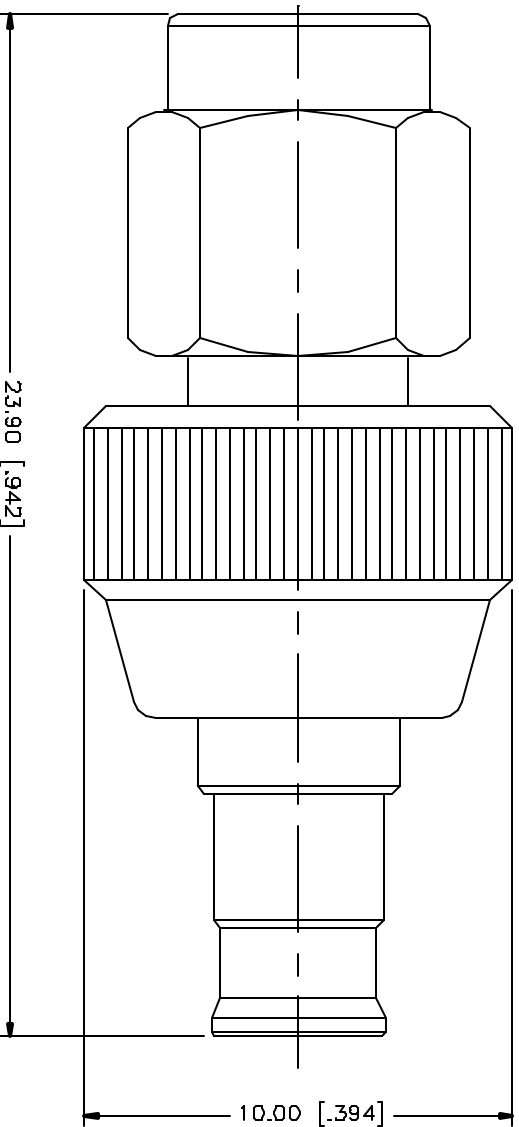


REV.	DATE	DESCRIPTION
A	03/27/05	UPDATE DRAWING FORMAT



NO.	DESCRIPTION	MATERIAL	FINISH	QTY	UNLESS OTHERWISE SPECIFIED DIMENSIONS ARE IN MILLIMETERS. DIMENSIONS IN [] ARE IN INCHES AND FOR OVERSIZE FITS/SHAKE ONLY. DIMENSIONS FOR MILLIMETERS ARE:	APPROVALS	DATE	PART DESCRIPTION			
1	INSULATOR BODY	BRASS	GILD	1	UNLESS OTHERWISE SPECIFIED DIMENSIONS ARE IN MILLIMETERS. DIMENSIONS IN [] ARE IN INCHES AND FOR OVERSIZE FITS/SHAKE ONLY. DIMENSIONS FOR MILLIMETERS ARE: 0.5 - Bore ± 0.20mm 3.0 - 3.0mm ± 0.40mm 3.0 - 3.0mm ± 0.40mm UNLESS OTHERWISE SPECIFIED DIMENSIONS FOR INCHES ARE: .020 - .315 = ± 0.007" .315 - 1.180 = ± 0.015" 1.180 - 4.724 = ± 0.020" DO NOT SCALE DRAWING	G.R.S.	03/27/05	Amphenol Connex SMA MALE TO MGX MALE ADAPTER PART NO. 242128			
2	INSULATOR	TER-LON	NATURAL	1		CHECKED					
3	CONTACT PIN	BER, COPPER	GOLD	1		ISSUED					
4						SHEET	1		DF 1		
5											
6											
DESCRIPTION		MATERIAL	FINISH	QTY	DO NOT SCALE DRAWING	CAD FILE	C:/242/242128.DWG	DWG. NO. 242128.DWG	REV. A	SIZE A	SCALE NA