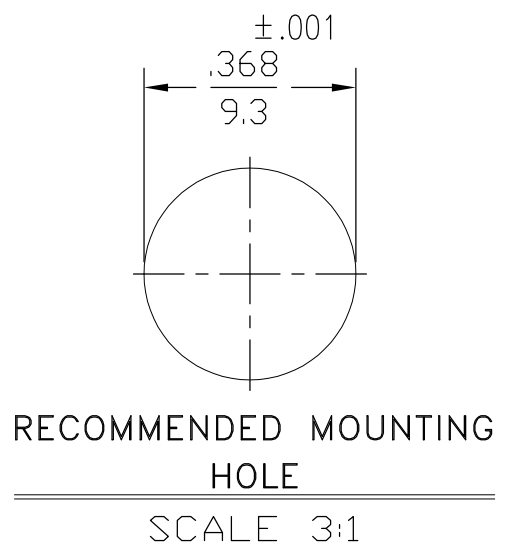


SUPERCEDED BY  
CUSTOMER PRINT  
1059506



|                                    |       |
|------------------------------------|-------|
| DESIGNED FOR USE WITH<br>.085 S.R. |       |
| CABLE ENTRY DIAMETER<br>MINIMUM    |       |
| HOUSING                            | .089  |
| CONTACT                            | .0214 |

| REVISIONS |                           |            |          |
|-----------|---------------------------|------------|----------|
| REV       | DESCRIPTION               | DATE       | APPROVED |
| A1        | REVISED PER ECO 08-020996 | 12/16/2008 | JO       |

NOTES:

- CAPTURED CENTER CONTACT

.XXX = in  
XX.X = mm (REF)

| COMPONENT                                | MATERIAL   | FINISH                        |
|--|--|-------------------------------|
| HOUSING, OUTER<br>MOUNTING NUT<br>WASHER | STAINLESS STEEL PER<br>ASTM-A484 AND ASTM-<br>A582, TYPE 303                   | PASSIVATE PER<br>QQ-P-35      |
| RETAINING RING                           | STAINLESS STEEL  | PASSIVATE PER<br>QQ-P-35      |
| HOUSING,<br>INNER                        | STAINLESS STEEL PER<br>ASTM-A484 AND ASTM-<br>A582, TYPE 303                   | GOLD PLATE PER<br>MIL-G-45204 |
| DIELECTRIC                               | TFE FLUOROCARBON<br>PER ASTM-D-1457  | N/A                           |
| CENTER CONTACT                           | BERYLLIUM COPPER PER<br>ASTM-B-196 OR ASTM-B-197,<br>ALLOY C17300, CONDITION H | GOLD PLATE PER<br>MIL-G-45204 |
| CONTACT SLEEVE                           | BERYLLIUM COPPER PER<br>ASTM-B-196, ALLOY<br>C17300, CONDITION H               | GOLD PLATE PER<br>MIL-G-45204 |
| CONTACT RING                             | BERYLLIUM COPPER PER<br>ASTM-B-194, ALLOY<br>C17200, CONDITION H               | GOLD PLATE PER<br>MIL-G-45204 |
| LOCKWASHER                               | CARBON STEEL 1050  | NICKEL PLATE PER<br>QQ-N-290  |
| SPRING                                   | MUSIC WIRE   | NICKEL PLATE PER<br>QQ-N-290  |

UNLESS OTHERWISE SPECIFIED  
DIMENSIONS ARE IN INCHES

|        |        |        |
|--------|--------|--------|
| FRAC.  | DEC.   | ANGLES |
| ± 1/64 | ± .005 | ± 1°   |

These drawings and specifications are the property of M/A CDM Interconnect Div. and shall not be reproduced or copied or used in whole or in part as the basis for the manufacture or sale of item(s) without written permission.

|                      |                 |
|----------------------|-----------------|
| DRAWN BY<br>J.B.     | DATE<br>9/10/87 |
| CHECKED BY<br>M.H/M. | 9/16/87         |
| APP'D BY<br>B.A.R.   | 9/16/87         |

**AMP** Incorporated  
140 Fourth Avenue  
Waltham, MA 02451-7599

USE ASS'Y PROCEDURE  
408-04596  
(45-047)  
NO. A.P. \_\_\_\_\_

|  |                         |              |              |
|--|-------------------------|--------------|--------------|
| TITLE<br>OSP FLOATING PANEL<br>FEEDTHRU CABLE JACK<br>DIRECT SOLDER ATTACHMENT |                         |              |              |
| SIZE<br>B  | CODE IDENT NO.<br>26805 | 4522-7985-02 | REV<br>A1    |
| SCALE<br>6:1   |                         |              | SHEET 1 OF 1 |