

customer manual

SAFETY PRECAUTIONS	READ THIS FIRST !	2
1. INTRODUCTION		4
2. DESCRIPTION		4
2.1. Functional Description		5
2.2. Electrical Description		7
2.3. Machine Guards		7
2.4. Description of Operation		7
3. RECEIVING INSPECTION AND INSTALLATION		8
3.1. Receiving Inspection		8
3.2. Installation of Stripping Module Field Kit 1490503-[] In Model "G" Terminator		8
3.3. Installation of Stripping Module 1490501-[] and Model "G" Terminator		13
3.4. Considerations Affecting Placement of Bench Machines		14
4. OPERATION		16
4.1. Control Panel		16
4.2. Applicator Setup and Installation		16
4.3. "Power On" Sequence		20
4.4. Condition After "Power On" Sequence		20
4.5. Stripping Module Errors		20
4.6. Stripping Module Removal		21
5. PREVENTIVE MAINTENANCE		22
5.1. Cleaning		22
5.2. Lubrication		22
5.3. AMP-O-ELECTRIC* Model "G" Terminator Preventive Maintenance		22
6. DIAGNOSTICS		23
6.1. Software Version Identification		23
6.2. Input Monitor Mode		23
7. MECHANICAL ADJUSTMENTS		24
7.1. Strip Blade Closure Adjustment		24
7.2. Strip Length Adjustment		24
7.3. Wire Brush Adjustment		24
7.4. Gripper Adjustment		24
7.5. Tonk Adjustment		26
7.6. Strip Cam Speed Adjustment		26
7.7. Start Sensor Gap Adjustment		26
8. ELECTRICAL ASSEMBLY		28
9. PARTS REPLACEMENT		28
10. REVISION SUMMARY		29



SAFETY PRECAUTIONS AVOID INJURY

Safeguards are designed into this application equipment to protect operators and maintenance personnel from most hazards during equipment operation. However, certain safety precautions must be taken by the operator and repair personnel to avoid personal injury, as well as damage to the equipment. For best results, application equipment must be operated in a dry, dust-free environment. Do not operate equipment in a gaseous or hazardous environment.

Carefully observe the following safety precautions before and during operation of the equipment:

- ALWAYS wear appropriate ear protection.
- ALWAYS wear approved eye protection when operating powered equipment.
- ALWAYS keep guard(s) in place during normal operation.
- ALWAYS insert power plug into a properly grounded receptacle to avoid electrical shock.
- ALWAYS turn off the main power switch and disconnect electrical cord from the power source when performing maintenance on the equipment.
- NEVER wear loose clothing or jewelry that may catch in moving parts of the application equipment.
- NEVER insert hands into installed application equipment.
- NEVER alter, modify, or misuse the application equipment.

TOOLING ASSISTANCE CENTER

CALL TOLL FREE 1-800-722-1111 (CONTINENTAL UNITED STATES AND PUERTO RICO ONLY)

The **Tooling Assistance Center** offers a means of providing technical assistance when required.

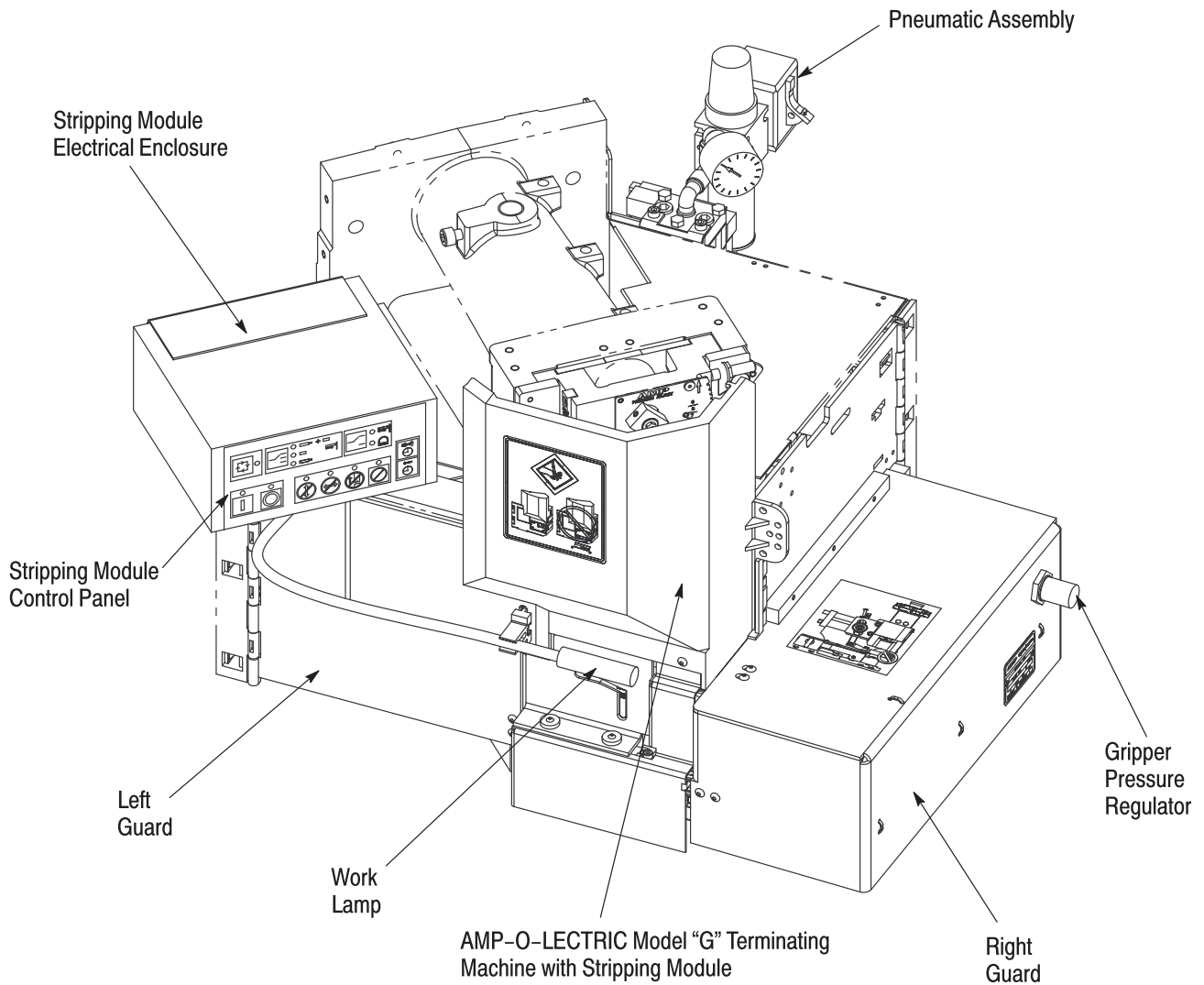
In addition, Field Service Specialists are available to provide assistance in the adjustment or repair of the application equipment when problems arise which your maintenance personnel are unable to correct.

INFORMATION REQUIRED WHEN CONTACTING THE TOOLING ASSISTANCE CENTER

When calling the Tooling Assistance Center regarding service to equipment, it is suggested that a person familiar with the device be present with a copy of the manual (and drawings) to receive instructions. Many difficulties can be avoided in this manner.

When calling the Tooling Assistance Center, be ready with the following information:

1. Customer name
2. Customer address
3. Person to contact (name, title, telephone number, and extension)
4. Person calling
5. Equipment number (and serial number if applicable)
6. Product part number (and serial number if applicable)
7. Urgency of request
8. Nature of problem
9. Description of inoperative component(s)
10. Additional information/comments that may be helpful



AVAILABLE STRIPPING MODULE KITS

Field Retrofit Kits for the AMP-O-LECTRIC Model "G" Terminating Machine (Does not include Crimp Quality Monitor 1320420-1 and Cable 1320431-2)

Stripping Module Kit	Part Number
AMP-O-LECTRIC Model "G" Terminating Machine w/o Crimp Quality Monitor	1490503-[*]
AMP-O-LECTRIC Model "G" Terminating Machine with Crimp Quality Monitor	

(Factory) AMP-O-LECTRIC Model "G" Terminating Machine with Stripping Module (Includes Work Light)

AMP-O-LECTRIC Model "G" Terminating Machine with Stripping Module (Includes Manual Precision Adjust)	1490501-[*]
AMP-O-LECTRIC Model "G" Terminating Machine with Stripping Module (Includes Manual Precision Adjust and CQM Sensors--Does not include Crimp Quality Monitor 1320420-1 and Cable 1320431-2)	
AMP-O-LECTRIC Model "G" Terminating Machine with Stripping Module (Includes Auto Adjust and CQM Sensors--Does not include Crimp Quality Monitor 1320420-1 and Cable 1320431-2)	

Refer to the appropriate customer drawing for part numbers.

Figure 1

1. INTRODUCTION

This manual contains information on the operation, adjustments and preventive maintenance of Stripping Modules 1490503-[] (field retrofit kits) and 1490501-[] (factory installed stripping modules), used in conjunction with the AMP-O-ELECTRIC* Model "G" Terminating Unit. See Figure 1.


For information concerning the Model "G" Terminating Unit, refer to 409-5842 and any documentation included with the terminator.

Most side-feed and end-feed heavy-duty mini applicators and light-duty mini applicators can be run with stripping modules. Slight modifications may be required to run these applicators; most modifications involve removing the wire stop. Refer to Paragraph 4.2. (Applicator Setup and Installation) of this manual.


Refer to the applicator instruction sheet and documentation included with the applicators for operation, adjustment, and preventive maintenance of the applicators.

When reading this manual, pay particular attention to DANGER, CAUTION, and NOTE statements.


DANGER *Denotes an imminent hazard which may result in moderate or severe injury.*



CAUTION *Denotes a condition which may result in product or equipment damage.*



NOTE *Highlights special or important information.*



2. DESCRIPTION

Stripping Modules 1490503-[] and 1490501-[] are pneumatically driven, microprocessor controlled, in-line stripping modules designed to be used to provide wire stripping capability to the Model "G" Terminating Machine. These stripping modules accept a wide range of wire insulation types.

The stripping modules are assembled with metric hardware.

NOTE *Measurements are in metric units [followed by U.S. customary units in brackets]. Some commercial items may contain non-metric hardware.*




Figure 2 contains specifications and requirements for the stripping modules.

Wire Range Base Module:	0.03mm – 2.0mm (32–14 AWG)
Maximum Insulation:	5.08mm (.200 In.)
Cable Breakout:	Greater than 29mm (1.14 In.)
Strip Length:	2.54mm – 10.16mm (.100 In. – .400 In.)
Gripping Jaw Pressure:	Variable air pressure
Noise:	Less than 82dBa Typical at Operator Position with Standard Mechanical Feed Applicator
Weight:	4.55 Kilograms [10 lb.]
Height:	127mm [5 In.]
Electrical:	100–240 VAC, 50/60 Hz, single phase current
Air:	620–760 KPA [90–100 psi], 2.83 liters/sec (6 scfm)
Physical Environment (Temperature):	4.45 C to 605 C [405 F to 1045 F]
Altitude:	Not Applicable
Relative Humidity:	Less than 95% (non-condensing)
Transportation and Storage:	Store in a clean, dry environment after coating all surfaces lightly with a rust preventing oil.

Figure 2

2.1. Functional Description (Figure 3)

The stripping module is a mechanism which will prepare discrete wire by stripping the insulation from the conductor for preparation of a crimp onto a terminal.

The machine consist of three functional areas.

The **transfer sub-assembly** consists of the side transfer block, applicator latches, and the transfer air cylinder. This sub-assembly provides a means of sliding the mechanism to the side so that the terminal may be applied to the wire.

The **gripper sub-assembly** consists of the upper and lower grip jaws, the gripper mounting block, the left and right gibs, the jaw drive block, and the gripper air cylinder. The gripper sub-assembly provides a means of holding the wire during the wire stripping and terminal application process. The gripper mechanism is “tonked” during the machine cycle to place the stripped wire in the terminal wire barrel.

The **stripping sub-assembly** consists of the U-block, the main block, the gibs, the blade drive block, the blade adjust block, the inner and outer strip blades, the start sensor block, start sensor arm, the start sensor, the start sensor air cylinder, the strip cam, and the strip air cylinder. This sub-assembly drives the inner strip blade to cut through the wire insulation. It also moves part of the mechanism away from the operator to pull the insulation slug off the wire. The mechanism also contains the wire start sensor to begin the cycle.

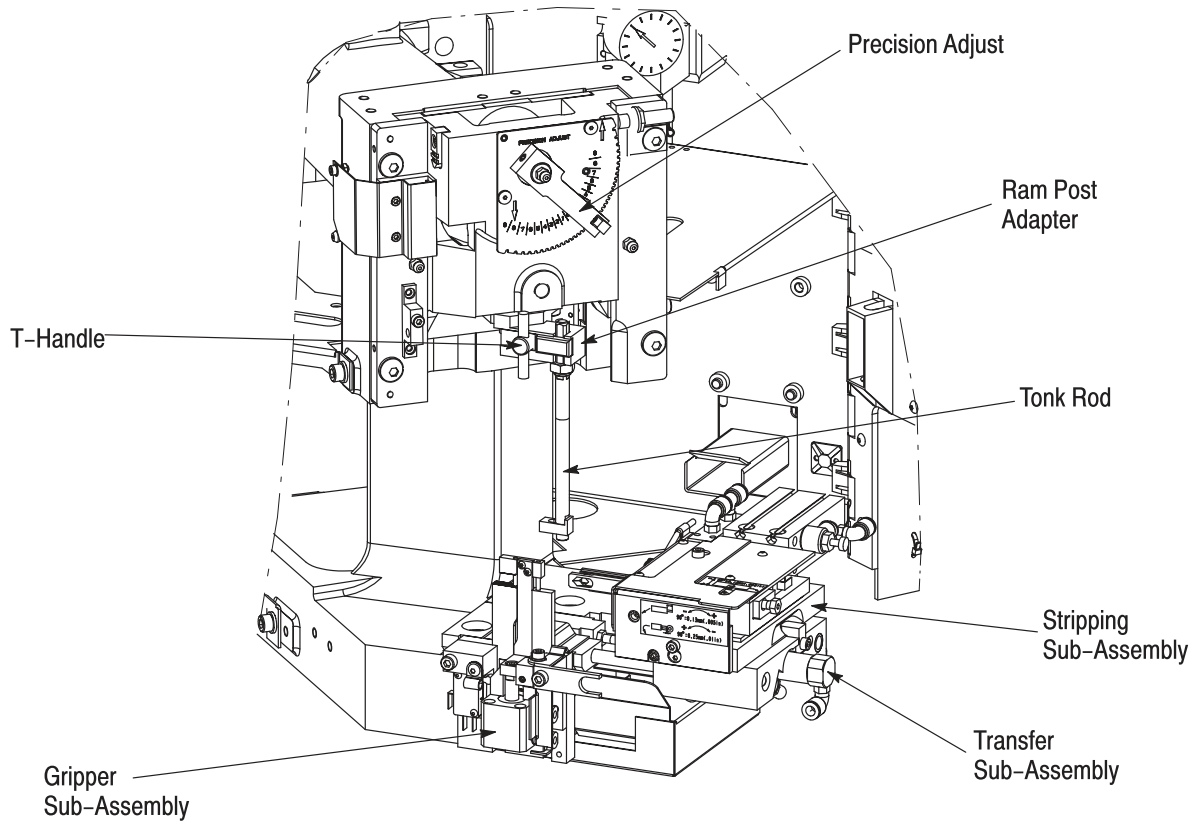


Figure 3 (Sheet 1 of 2)

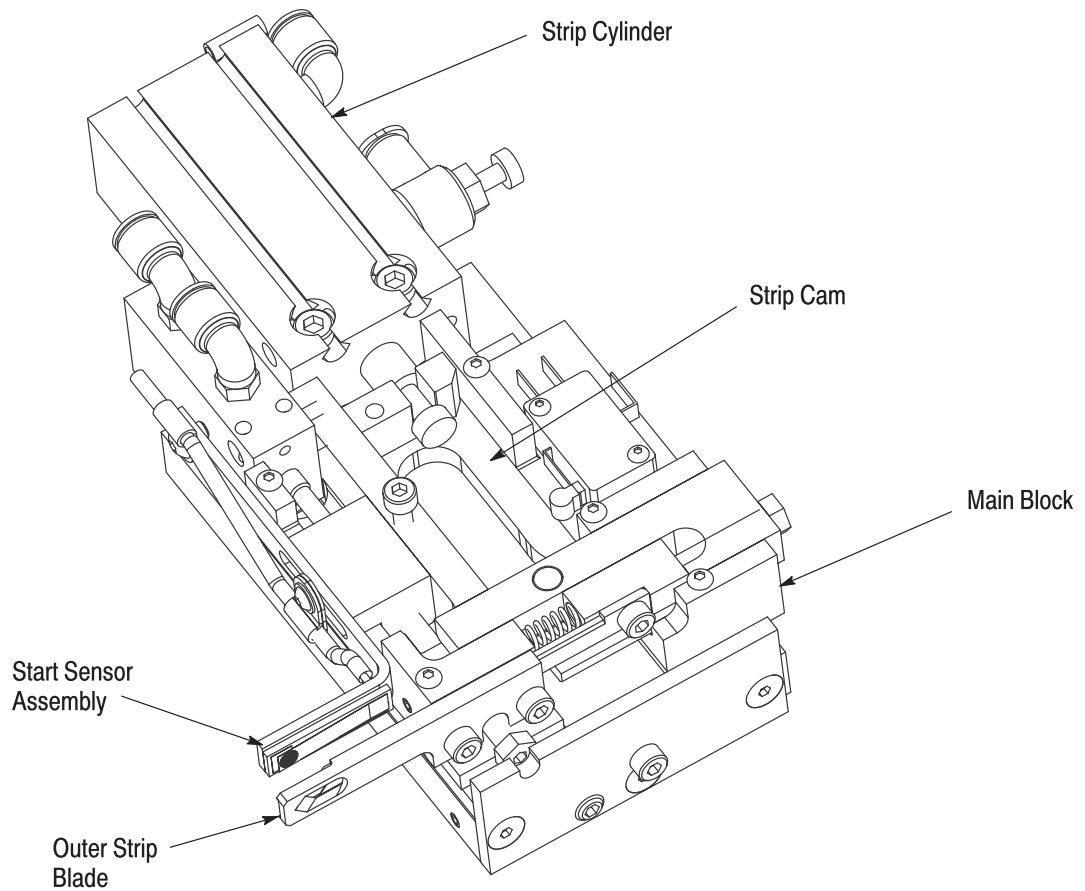


Figure 3 (Sheet 2 of 2)

2.2. Electrical Description

The stripping module electrical components consist of the operator control panel, the electrical enclosure, electrically controlled pneumatic valves, and various switches and sensors. The control module operates on 100/240 VAC, 50/60 HZ, single-phase current, with ground. Power for the stripping module is supplied by the Model "G" Terminating Machine. The machine power switch turns on both the "G" Terminating Machine and the stripping module. A main power switch/circuit breaker is located on the left of the machine electrical enclosure.

The operator control panel is attached to the electrical enclosure and is mounted on the left side of the machine. See Figure 1. The control panel consists of 12 indicator lights and 8 keys with icons depicting each function. Refer to Figure 9.

2.3. Machine Guards

A combination of guards is installed to provide protection for the operator while maintaining proper visibility of the work area. The left guard (Figure 1) swings open to the left and the right guard (Figure 1) swings open to the right to allow easy access for applicator installation and setup. Safety interlocks on the guards prevent the machine from cycling if the guard doors are open during production operation.

2.4. Description of Operation

The strip and crimp cycle of operation is as follows:

1. The cycle may be started automatically (with "Start Sensor" selected as the starting means), or with the foot switch. In automatic operation ("Start Sensor" selected as the starting means), the operator places a wire through the grip jaws and strip blades to depress the start sensor, which automatically starts the cycle. If the foot switch was selected as the starting means, the operator depresses the foot switch to activate the cycle.

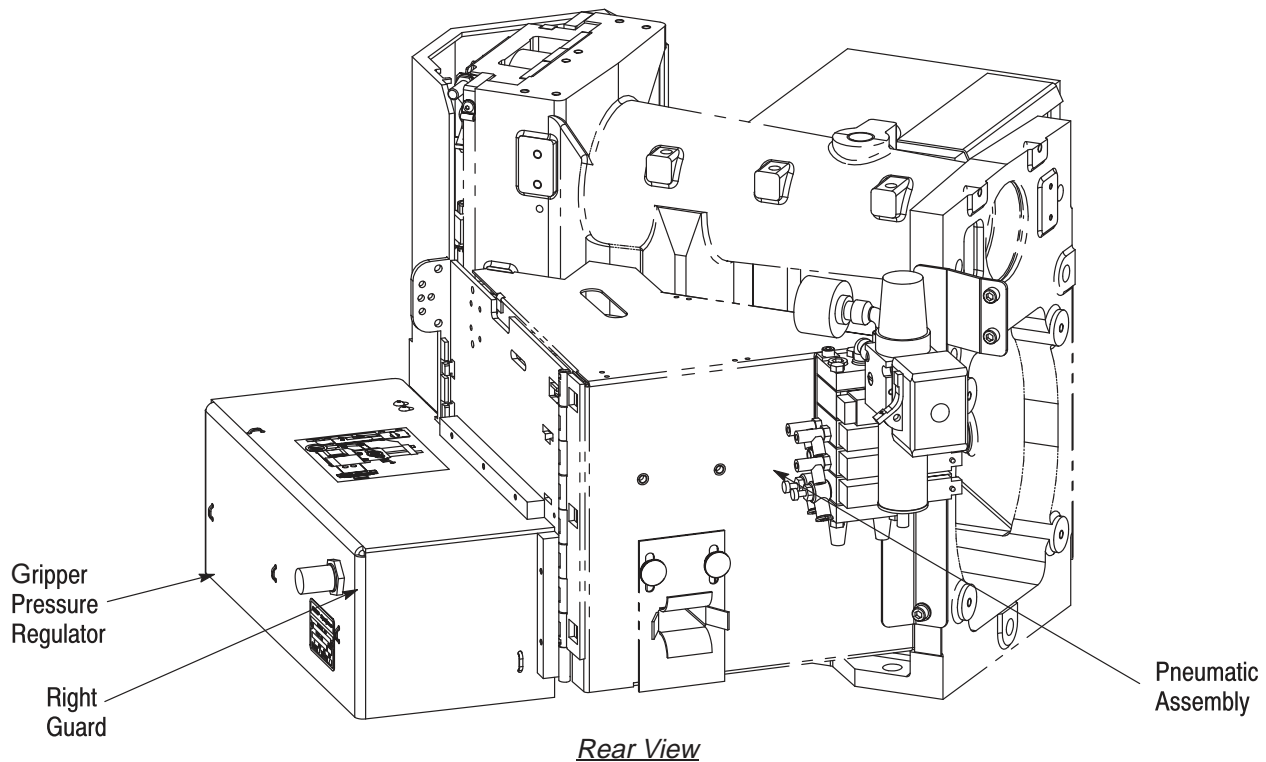


Figure 4

2. The gripper jaws then close on the wire while the strip blades close to cut through the insulation. The stripping mechanism pulls the blades away from the operator to remove the insulation slug.
3. The stripping unit shifts to the “right side position” to remove the stripping blades from the applicator.
4. The terminator cycles to crimp a terminal onto the wire.
5. After completing the crimp, the grippers open to release the crimped wire and the stripping blades retract.
6. The start sensor arm then retracts so that the air blast can blow the insulation slug into the scrap bin.
7. The stripping unit then transfers back to the start position.

3. RECEIVING INSPECTION AND INSTALLATION

3.1. Receiving Inspection

The stripping module is thoroughly inspected during and after assembly. A final series of inspections is made to insure the proper machine functioning before packaging and shipping.

To protect against damage that may have occurred during shipment, remove the machine from the packaging and carefully inspect the machine for damage. If damage is evident, file a claim against the carrier and immediately notify Tyco Electronics.

DANGER

To avoid personal injury, be sure to turn “off” and disconnect power to the machine.



3.2. Installation of the Stripping Module Field Kit 1490503 -[] in Model “G” Terminator

Remove the module from the packaging and install the field kit to the machine as follows:

A. AMP-O-LECTRIC Model “G” Terminator Preparation

1. Disconnect electrical and pneumatic power supplies.

2. Remove the applicator and terminal reel.
3. Remove the left guard by lifting out the hinge pin. The guard is replaced by a new left guard. The pin is reused.
4. Remove the door latch and CE switch key from the left guard and save.
5. Disconnect the electrical cable from inside the CE switch and remove the switch from the right door. The switch gets remounted on the new right guard.
6. Unplug the work light and remove from the guard. The work light is reused.
7. Unplug the interlock switch and remove from guard. The switch is reused.
8. Remove the right guard by lifting out the hinge pin. The guard is replaced by a new right guard. The pin is reused.
9. Remove the base plate assembly from the terminator. The rear stop, the clamp, "T" handle, spring, and screws will be reused.
10. Remove the adaptor post, applicator lock, and spring. The applicator lock and spring will be reused.
11. Remove the reel support bracket and save.
12. Remove the top plastic cover and save.
13. Remove the electrical control box cover and save.
14. Disconnect the blue wire from terminal 4 and brown wire from terminal 3 of the main power rocker switch. See Drawing 1490843, Sheet 15 and Sheet 16.
15. Remove the air feed shut off valve and save (if applicable).

B. Installation of the Stripping Module Field Kit 1490503-[] in the Model "G" Terminating Machine

NOTE

Refer to Drawings 1490843 and 1490503.



1. Install the new adaptor post with the old applicator lock and spring.
2. Install old rear stop, clamp, spring, and special screw 1490819-1 onto the new base plate.
3. Install the new base with the transfer, grip, and strip assemblies onto the Model "G" Terminating Machine using the existing button head screws.
4. Check the shut height and shim as necessary.
5. Partially loosen the button head screws holding the base plate to the terminator.
6. Install an applicator and check for proper alignment of the applicator ram in the adaptor post of the terminator. Move the base plate as necessary to achieve proper alignment.
7. Remove the applicator and tighten the button head screws.
8. Install the valve bracket and pneumatic assembly.
9. Install the old air feed shut off valve on the new valve bracket using the new longer air line and the screws mounted in the bracket.
10. Install the left guard using the old hinge pin.
11. Install the work light, CE switch, and door latch onto the left guard (see Drawing 1490843, Sheet 10).
12. Install the right guard using the old hinge pin.
13. Mount the CE switch, pressure regulator, air blast block, and door switch onto the right guard (see Drawing 1490843, Sheet 8).

14. Mount the micro switch from the right guard onto the switch bracket 1490834-1.
15. Mount the switch bracket onto the new right door as shown in Drawing 1490503.
16. Mount the TDC switch (see Drawing 1490843, Sheet 7).
17. Install the tonk rod, tonk foot, lever, "T" handle off the old base plate.
18. Make sure the transfer mechanism is pushed to the right.
19. Manually cycle the terminator to bring the tonk foot down to the lower gripping jaw.
20. Adjust the tonk foot so that it is flush with the front of the lower jaw and has 1mm to 2mm [.040 In. to .080 In.] clearance between it and the upper jaw.

NOTE

If running light-duty applicators, adjust the tonk foot so that it clears the applicator housing.



21. Return the Model "G" Terminating Machine ram to the top dead center position.
22. Install the stripping module control box on the left side of the terminator.

NOTE

Original work light cable may need to be unbundled from other cables to reach the work light plug position.



23. Pass the work light wire through the cable clamp and plug into original work light cable (see Drawing 1490843, Sheet 10).
24. Install and route wires and tubing as shown in drawing 1490843.
25. The following cables exit through the gland nuts on the stripping module control box and *must* be attached to the machine. See Drawing 1490843 and attach as follows:
 - Tooling-in-Place Switch Cable C1 to the transfer sub-assembly (refer to Sheet 6);
 - Pull-back Switch Cable D1 to stripper sub-assembly (refer to Sheet 4);
 - Tonk Switch Cable D2 to gripper sub-assembly (refer to Sheet 3);
 - Side Transfer Switch Cable C2 to transfer sub-assembly (refer to Sheet 6);
 - Wire Start Sensor Cable B to stripper sub-assembly (refer to Sheet 5);
 - Terminator TDC Switch Cable J to TDC Switch by Model "G" Terminator ram (refer to Sheet 7);
 - Air Valve Cable E to pneumatic assembly on right guard (refer to Sheet 12).
26. Install the following to the stripping module control board (refer to Drawing 1490843, Sheet 18):

NOTE

NOTE THAT the jumper (W1 on Figure 5) connector on the stripping module control board must be in Position 2-3 for operation in the Model "G" Terminator. Position 1-2 is reserved for operation in the Entry Level Terminator. Refer to Figure 5.



- a. Install Foot Switch Signal Cable S.
 - Install P7 to J7;
 - Install P8 to J8; and
 - Install ground wire to the ground stud inside the control box.
- b. Install Interlock Switch Cable Q through the cable clamp at the rear of the control box to J11 on the control board.
- c. Install Cable R.
 - Remove "knock out" from the rear of the control box.
 - Remove two screws and nuts on either side of knock out.
 - Install CPC connector from Cable R into "knock out" using the two screws and nuts. (The flange and wires should be located inside the control box.)
 - Install P17 to J17 of control board.
 - Install P18 to J18 of control board.

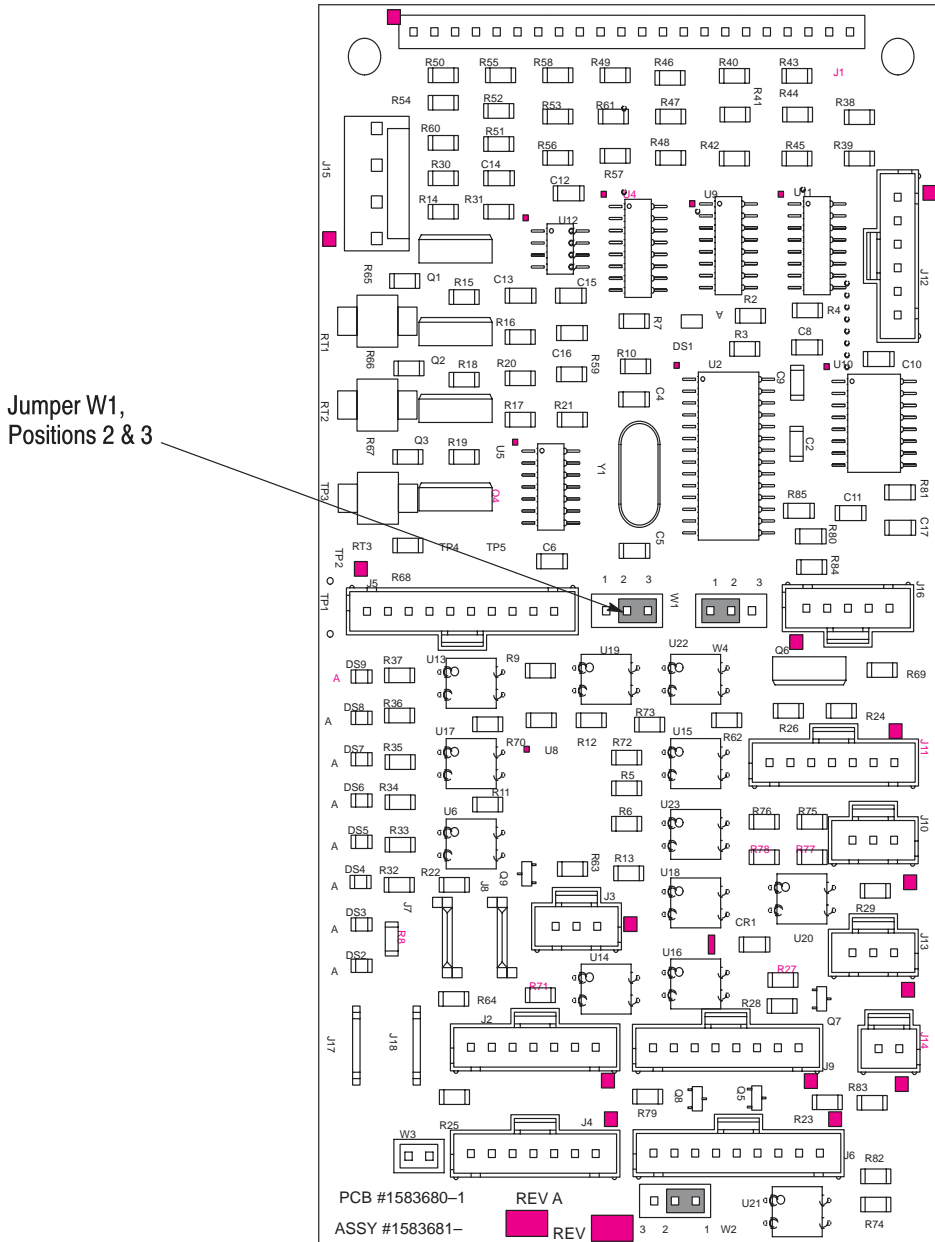


Figure 5

- Install ground wire to ground stud inside control box.
 - d. Attach original foot switch connector to the CPC connector in the back of the control box (refer to Drawing 1490843, Sheet 11).
27. Install the following to the Model “G” Terminator electrical box (refer to Drawing 1490843):
- a. Install the Foot Switch Signal Cable S to the original foot switch connector on the underside of the electrical box (refer to Sheet 14).
 - b. Install AC Power Cable H (refer to Drawing 1490843, Sheets 15 and 16):
 - Install brown wire (P20) onto Terminal 3 of rocker switch.
 - Install blue wire (P19) onto Terminal 4 of rocker switch.
 - Install brown wire from the Model “G” Terminator back onto piggy-back connector on Terminal 3.
 - Install blue wire from the Model “G” Terminator back onto piggy-back connector on Terminal 4.
 - Remove and discard grommet from Model “G” Terminator control box.
 - Pass the AC power cable through the opening in the control box.

NOTE

If the Model “G” Terminating Machine is equipped with an auto-adjust feature, pass the wires from the auto-adjust motor through the opening in the control box ABOVE the AC power cable.

- c. Install AC Power Cable H to ground connection.

Note that there are two different style Model “G” Terminating Machine control boxes:

- *New style -- Part Number 318900-[] (Revision F and later) and Part Number 354570-[] (Revision E and earlier); and*
- *Old style -- Part Number 318900-[] (Revision E and earlier)*

Refer to part number and revision sticker fastened to the front mounting flange of the control box.

Ground Installation of New Style Model “G” Terminator Control Box

(see Drawing 1490843, Sheet 15):

- Disconnect the Model “G” Terminator ground wire (green wire with yellow stripe) from the FASTON tab on the circuit board.
- Connect Ground Extension Wire T to the ground wire of AC Power Cable H.
- Connect the piggyback FASTON connector of Wire T to the FASTON post of the circuit board.
- Reconnect the Model “G” Terminator ground wire to the piggyback connector.

Ground Installation of Old Style Model “G” Terminator Control Box

(see Drawing 1490843, Sheets 16 and 17):

- Remove the Soft Start Resistor.
- Connect Ground Extension Wire U to the ground wire of the AC Power Cable H.
- Remove the top nut and lock washer from the ground post.
- Place the ring terminal of Ground Extension Wire U onto the ground post and reinstall and tighten the nut and lock washer.
- Reinstall the soft start resistor.

28. Additional electrical cable installation:

- a. Install Interlock Extension Cable V (refer to Drawing 1490843, Sheet 8):

- Attach Insert Interlock Extension Cable V to the interlock micro-switch located on the bottom of the right door. (Attach the red or brown wire to the common terminal; attach the black wire to the NO Terminal.)
- Cut the three position plastic connector housing (along with the terminals from the original door interlock switch cable.
- Strip the insulation off the wires from 6.35mm to 7.14mm [.250 in. to .281 in.] from the tip of the wire.
- Crimp the stripped wires into the Through-Splice Terminals of Interlock Extension Cable V. Match the red or brown wire to the corresponding red or brown wire. Match the black wire to the corresponding black wire.
- Route the cable as shown in Drawing 1490843, Sheet 8.

- b. Install Interlock Extension Cable V (refer to Drawing 1490843, Sheet 8)

- Route the old interlock cable and new Interlock Interface Cable Q through the new right guard (see Sheet 8).
- Pass both cables through the gland nut of the CE switch.
- Attach the red or brown wire from both the cables to one of the screws.
- Attach the black wire from both cables to the other screw.
- Re-install the cover on the switch.

- c. Adjust the guard door interlock switch and bracket as follows:

- Adjust the button head screw on the guard stop (Item 34 on Drawing 1490503) until the switch bracket (Item 7 on Drawing 1490503) touches the screw when the right guard door is closed.
- Adjust the micro switch that is mounted on the switch bracket (Item 7 on Drawing 1490503) until it is actuated by the gripper guard (Item 14 on Drawing 1490503) when the guard doors are closed.

29. Install the cover on the Stripping Module control box.
30. Install the cover on the Model "G" Terminator electrical box.
31. Reconnect electrical power to the Model "G" Terminator.
32. "Power up" the machine in the INPUT MONITORING mode according to instructions in the customer manual.
33. Check for proper functioning of all the inputs by manually cycling the stripping module.
34. After the unit appears to be functioning normally, perform the following checks as follows:
 - a. Remove the applicator (if it is still in the terminator).
 - b. Return the Model "G" Terminator ram to the top of its travel.
 - c. Connect air and turn on the main air shut off valve.
 - d. Close the guard.
 - e. "Power up" the stripping module by pressing the green "power up" button.
 - f. Check for errors that may have occurred during power up.
 - g. Use the Error Code Table (Figure 10) to diagnose and correct any errors.
35. Verify proper functioning of the stripping module by entering Step Mode and stepping through a complete cycle. If the unit is functioning properly, you may begin normal operation.

3.3. Installation of (Factory Installed) Stripping Module 1490501-[] and Model "G" Terminator



The AMP-O-ELECTRIC Model "G" Terminating Machine is heavy. To avoid personal injury, do not attempt to lift the machine by hand.

Place the terminating machine crate onto a bench or work area. Remove all mounting bolts securing the terminating machine to the shipping pallet.



Optional lift ring (M12 X 20 eye bolt) is customer supplied.



If the optional lift ring is used, install it carefully. A 19.05-mm [.75-in.] thread length engagement is required for the lift ring to support the machine, which weighs approximately 109 kg [240 lb]. Be sure the locking screw for the reel support is backed out, in order to achieve the 19.05-mm [.75-in.] thread length engagement required to lift the machine.

Attach a suitable hoist to the lift ring, lift the machine, and place it in the selected operating location. After the machine is in its final position, remove the lift ring and replace it with the reel mounting support.



Do not attempt to cycle the terminating machine with the lift ring in place. Damage to the machine could occur if the lift-ring is not removed prior to operation.

Insert the reel support post into the hole in the top of the machine and turn the post clockwise until the threads begin to bottom out. Then turn the post counterclockwise until the flat on the threaded portion of the reel support is aligned with the locking screw. Tighten the screw. Attach the reel support arm to the reel post. Be sure to align the tabs on the reel support arm with the slots in the end of the reel support post. The adjusting screw should be to the right side (while facing the machine) of the horizontal bar on the support post. Secure the reel support arm to the post by inserting the locking pin into the hole in the support post.

Attach the terminal strip guide included with the machine with the two thumbscrews supplied. Mount the guide on the left guard for side-feed applicators. Mount the guide on the right guard for end-feed applicators.

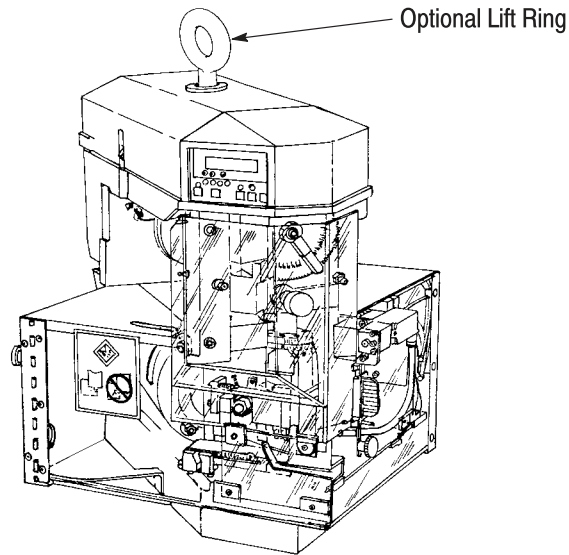


Figure 6

Connect the foot switch to the connector on the rear of the stripping module control box.

Connect the power cord to a suitable electrical supply.

NOTE

The machine will automatically detect the supply voltage and adjust the controller accordingly.

**NOTE**

Models exported to Europe will be installed by Tyco Electronics Service Representatives. These representatives will verify that the electrical and pneumatic connections are correct. Both pneumatic and electrical connections must be installed in a way that provides a lockable isolation switch for hard-wired or direct piped machines. This is necessary to interrupt power to the machine for setup or maintenance.



Connect the pneumatic assembly to a suitable air supply.

Turn the machine “on” in the INPUT MONITORING Mode and check for proper functioning of the machine inputs by manually cycling the stripping module. Refer to Paragraph 6.2.

When the unit appears to be functioning properly proceed as follows:

1. Remove the applicator.
2. Manually return the terminator ram to the top of its travel (TDC).
3. Connect air and turn “on” the main air shut-off valve.
4. Close the guard
5. Power up the stripping module by pressing the green Power Up Button.
6. Check for errors that may have occurred while the machine was being turned on.
7. Use the error code table in Paragraph 4.5 to diagnose and correct any errors.

3.4. Considerations Affecting Placement of Bench Machines

The location of the machine in relation to the operator’s position is extremely important in terms of both safety and maximum efficiency. Studies have repeatedly shown that operator fatigue will be reduced, and greater efficiency achieved, if: (1) the bench is of appropriate height, preferably with sound-deadening rubber mounts; (2) the machine is properly located on the bench with ample work areas on both sides to facilitate work flow; (3) the operator uses a swivel chair with padded seat and back rest which are independently adjustable; and

(4) the foot switch, on machines so equipped, is placed on a rubber mat to maintain its movability, while preventing it from sliding unintentionally. Figure 7 illustrates proper machine location and operator position. Figure 8 illustrates:

1. Bench

The bench to be used should be of sturdy construction, preferably with rubber mounts to minimize noise. A height of 762.0mm to 812.8mm [30 in. to 32 in.] is the most suitable for operator comfort and convenience. This height allows the operator to rest both feet on the floor, thereby providing for the shifting of weight and leg position.

2. Machine Location on Bench

The machine should be located near the front of the bench with the “target area” (tooling area where the product is applied) not more than 152.4mm to 203.2mm [6 in. to 8 in.] from the front edge. This location will eliminate unnecessary operator motion and help to avoid back strain and fatigue.

Orientation of the machine should be such that the “target area” is facing the front of the bench and is parallel to the front edge. (Access to the back of the machine MUST also be provided.)

3. Operator’s Chair

The operator’s chair should swivel, and should have independent seat height and back rest adjustments. The seat and back rest should be padded, and the back rest should be large enough to provide support both above and below the waist line.

In use, the chair should be far enough under the bench so that the operator’s back is straight and is supported by the back rest.

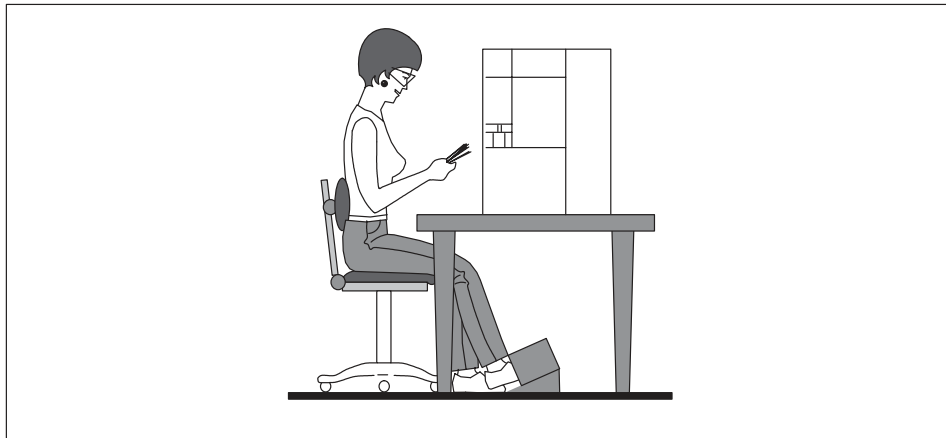


Figure 7

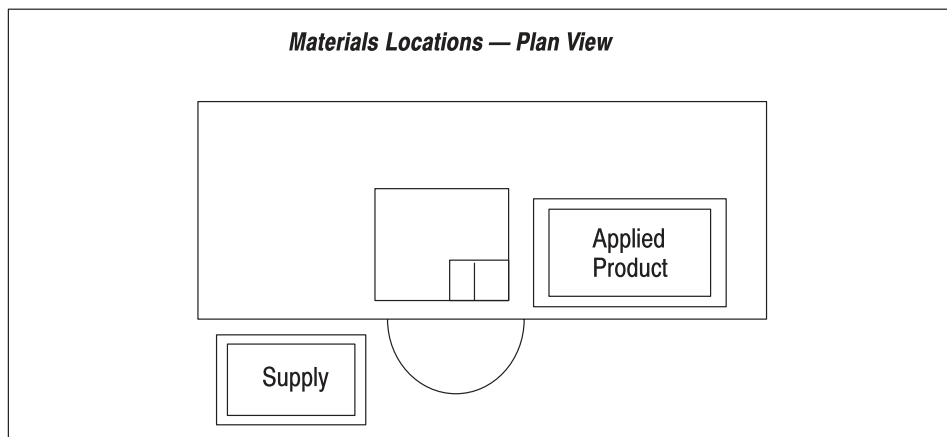


Figure 8

4. OPERATION

4.1. Control Panel

The stripping module is operated using the control panel shown in Figure 9.

4.2. Applicator Setup and Installation

A. Side-Feed/End-Feed Applicator Preparation

Prepare side-feed applicators for use with the stripping module by removing the applicator wire stop. Prepare end-feed applicators for use by removing the applicator wire stop and moving the track-mounted "hold down" back as far as possible.

Install the applicator onto the terminator (Paragraph 4.2,C). Adjust the wire brush and strip length and check for any interferences. If interference with the track-mounted "hold down" exists, remove the track-mounted "hold down."

B. Terminal Sticking Elimination/Prevention

Certain types of terminals are more likely to stick in the crimpers than other types. In many types of application equipment, the wire stop acts as a terminal stripper. When using the stripping module, however, the wire stops must be removed.

Besides removing the applicator wire stop, the following methods may be used to eliminate/prevent terminal sticking:

- Use a terminal lubricator.
- Use a spring-loaded, ram-mounted wire depressor mounted between the crimper and the wire barrel crimper.
- Use a ram-mounted terminal "hold-down" commonly found on end-feed applicators.

C. Applicator Installation/Removal

It may be necessary to install the applicator from either the left side or the right side of the gripper mechanism, depending on the applicator and type of product being run. Instructions for installing the applicator from the left side *and* the right side are listed below.

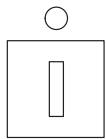
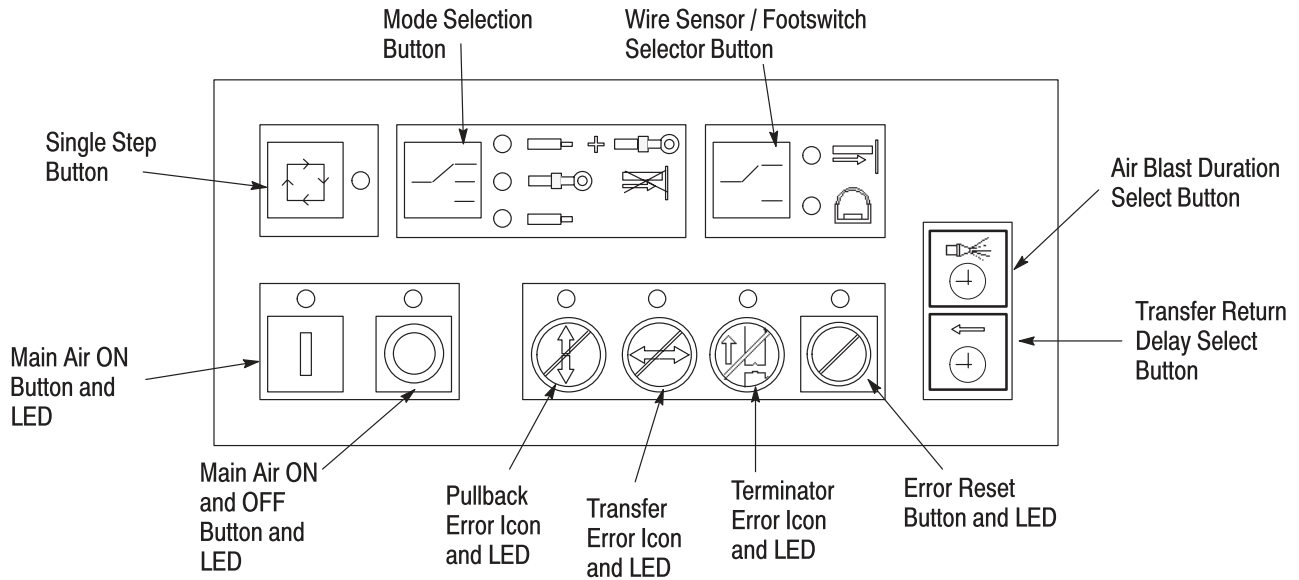
To remove the applicator, disconnect power to the machine and remove in reverse order of installation.

Left-Side Installation

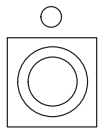


To avoid personal injury, be sure to disconnect power to the terminating machine and stripping module before installing or removing the applicator.

1. Slide the stripping module and movable part of the transfer assembly to the right side position.
2. Remove the tonk rod from the ram post adapter.
3. Loosen the screw holding the scrap deflector and rotate the scrap deflector toward the front of the machine.
4. Loosen the applicator latch on the machine base plate and push it out of the way.
5. From the left side of the gripper assembly, tilt the applicator and place it in position on the base plate.
6. Slide the applicator ram into the ram post of the terminating machine.
7. Place the left (applicator) latch on the terminator into the slots on the applicator base plate.
8. Lift the right (applicator) latch and tighten against the applicator base plate.
9. Rotate the scrap deflector back against the applicator base plate and tighten the hold down screws
10. Install the tonk into the ram post adapter.
11. Manually cycle the terminating machine and stripping module to verify fit, clearance, and proper operation.

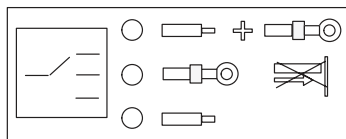


Pushing the **Main Air ON Button** causes the main air valve to pulse, “homing” the stripping mechanism. After “homing,” the mechanism returns to the start position for mode selected. The **Power ON LED** will turn “on” when the power on sequence is complete.



Pressing the **Main Air OFF Button** turns off the main air valve, removing pneumatic power. The **Main Air OFF LED** will be “on” when the main air valve is turned “off.”

The **Mode Selection Button** toggles the machine mode to the next mode. The three available modes include: Strip and Crimp Mode (top); Crimp Only Mode (middle); and Strip Mode Only (bottom). Each press of the button toggles the machine between modes.

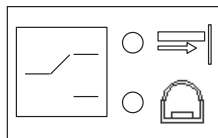


Note that the Main Air must be OFF to change modes.

Note that the Crimp Only Mode precludes the use of the wire sensor for starting the cycle.

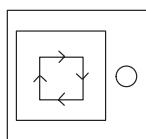
The corresponding LEDs designate the currently selected mode.

Pushing the **Wire Sensor Button** toggles between the Wire Sensor method (top) and the Footswitch method (bottom) of operation. Only one method of starting can be selected for operation. The Wire Sensor LED will indicate the selected method of operation.



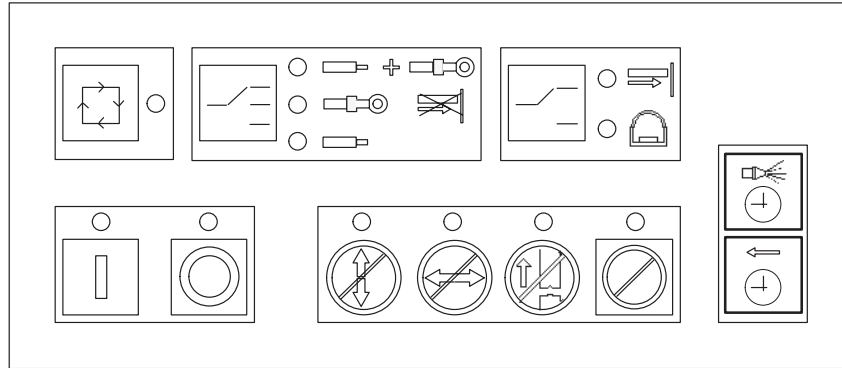
The wire sensor method of operation is used in the Strip and Crimp Mode and the Strip Only Mode.

The footswitch method of operation is used for *all* modes. In addition, the **Footswitch LED** will turn “on” during Single Step Operation to indicate that a terminator cycle may occur, either by joggng with the foot switch or automatic cycle by pressing the foot switch. **Jog or Automatic Mode** is selected on the Model “G” Terminating Machine control panel.

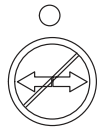


Pressing and holding the **Single Step Button** places the system in single step operation. Each additional press of the button initiates the next step of the machine cycle. When the cycle is complete, the system will return to normal operation and the **Single Step LED** will be turned off.

Figure 9 (Sheet 1 of 3)



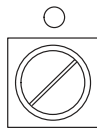
When lit, the LED above the **Pullback Error Icon** indicates that the gripping stripping tooling has not completed the retracted or extended function of the operation. *Observe the error code displayed by the **Error Reset LED** for additional information describing the error.*



When lit, the LED above the **Transfer Error Icon** indicates that the gripping stripping tooling has failed to transfer to the right or left. *Observe the error code displayed by the **Error Reset LED** for additional information describing the error.*

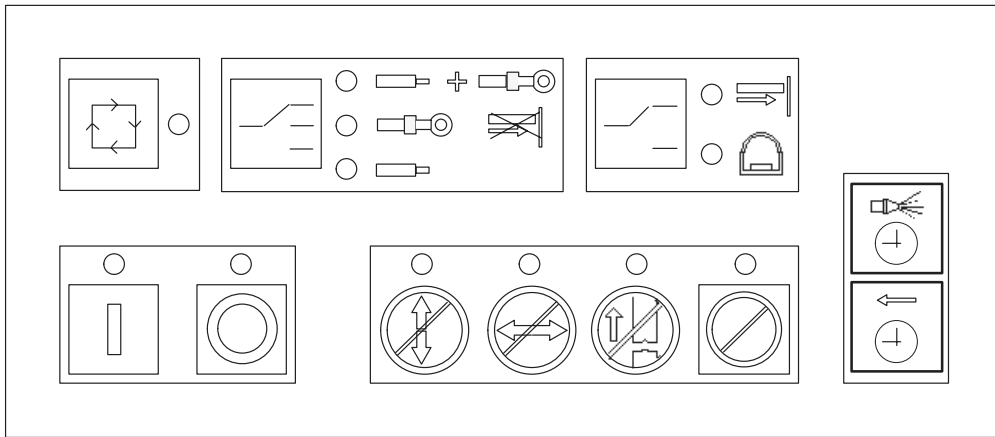


When lit, the LED above the **Terminator Error Icon** indicates that the terminator has failed to complete its cycle. *Observe the error code displayed by the **Error Reset LED** for additional information describing the error.*



The function of the **Error Reset Button** is to reset an existing stripping error. When an error occurs, the **Error LED** will blink a code that indicates the current error. (See Paragraph 4.4.) The error code is repeated continuously until acknowledged and cleared by pressing the Error Reset Button. *If the error occurs in the Pullback, Transfer, or Terminator section, the corresponding Error LED will also be illuminated.*

Figure 9 (Sheet 2 of 3)



The **Air Blast Duration Select Button** provides a means of selecting one of four preset durations for the air blast pulse. To set the level, press and hold the **Air Blast Duration Select Button** for about one second until all the error LEDs turn on. Releasing the button will allow one to four LEDs to remain lit, indicating the level of the air blast. Momentarily pressing the **Air Blast Duration Select Button** will toggle through the levels. When the desired level is reached, press and hold the **Air Blast Duration Select Button** until the error LED indicators turn off. The new level is automatically stored. Releasing the button returns the stripping module to normal operation,

Each LED corresponds to a preset air blast duration, increasing in duration from left to right. The illuminated LED corresponds to the currently selected duration of the air blast. The more LED's illuminated, the longer the duration of the air blast. (One LED lit indicates the shortest air blast; four LEDs lit indicates the longest air blast.)



The **Transfer Return Delay Select Button** provides a means of selecting one of four preset delays. The delay occurs after the air blast to allow the operator more time to remove terminated wire before the strip assembly returns to the start position. To set the level, press and hold the **Transfer Return Delay Select** button for one second until all the error LEDs are lit. Releasing the button will leave on one to four LEDs, indicating the level of the delay. (One LED lit indicates the shortest delay; four LEDs lit indicates the longest delay.) When the desired level is reached, press and hold the button until all the error LEDs turn off.

The new level is automatically stored. Releasing the button returns the stripping module to normal operation.

Momentarily pressing the **Transfer Return Delay** button will toggle through the levels.

Figure 9 (Sheet 3 of 3)

Right-Side Installation

DANGER

To avoid personal injury, be sure to disconnect power to the terminating machine and stripping module before installing or removing the applicator.

1. Remove the upper portion of the strip assembly by loosening the locking latch on the right side of the transfer assembly.
2. Lift the strip assembly off the transfer assembly and set it on a work bench.
3. Remove the tonk rod from the ram post adapter.
4. Loosen the screw holding the scrap deflector and rotate the scrap deflector toward the front of the machine.
5. Loosen the (applicator) latch on the machine base plate and push it down out of the way.
6. From the right side, place the applicator on the base plate.
7. Slide the applicator ram into the ram post of the terminating machine.
8. Place the left (applicator) latch on the terminator base plate into the slots on the (applicator) base plate.
9. Lift the right (applicator) latch and tighten it against the applicator base plate.
10. Rotate the scrap deflector back against the applicator base and tighten the hold down screws.
11. Place the upper portion of strip assembly back on the transfer assembly.
12. Partially tighten the locking latch.
13. Push the upper portion of the strip assembly toward the rear of the machine until the wire brush adjustment screw bottoms on the rear stop.
14. Install the tonk into the ram post adapter.
15. Manually cycle the terminating machine and stripping module to verify fit, clearance, and proper operation.

4.3. "Power On" Sequence

When AC power is first applied to the terminating machine and stripping module controller, all the LEDs on the console will turn "on" and then immediately turn "off." Then the necessary LEDs will turn "on" again, permitting inspection of the LED conditions. The controller will then display any internal controller errors using the Error LED. Refer to Paragraph 4.5. An error detected at this time will not be able to be reset. If no internal errors were encountered:

- a. the **Power Off LED** will turn "on;"
- b. the **LED** for the current cycle start method will turn "on;" and
- c. the LED indicating the last selected operating mode will also be turned "on."

4.4. Condition After "Power On" Sequence

After the "Power On" sequence has completed, the **Power On LED**, the LED for the current mode, and the LED for the current cycle start method will turn "on."

4.5. Stripping Module Errors (Error Reset Button and LED Code)

In addition to the Pullback, Transfer and Terminator errors described in Figure 6, the following errors will be reported by the controller. The error will be displayed by flashing the Error LED the indicated number of times indicated in Figure 10.

Stripping Module Controller Error Codes

Flashes	Error
1	(Error code not used)
2	Guard was opened.
3	Guard must be closed.
4	Switch did not “unmake” within the allotted time.
5	Switch did not “make” within the allotted time.
6	Faulty switch detected.
7	Tonk switch is faulty.
8	Did not sense tonk switch.
9	Tonk mechanism is stuck “down.”
10	Terminator is not at top–dead–center (TDC) position
11	Stripping unit Main Air is “off.”
12	Tooling is not in machine.
13	Wire sensor is bad or stuck in the “on” position.
14	Footswitch is bad or stuck in the “on” position.
15	(Error should <i>not</i> occur when stripping module is properly connected to terminating machine)
16	Bad footswitch input detected.
17	Bad keypad detected.
18	Bad spare input detected.
19	Transfer mechanism is not shifted to the right.
20	Bad wire sensor input detected.

Figure 10

4.6. Stripping Module Removal

The stripping module may need to be removed when changing applicators (refer to Paragraph 4.2,C for applicator installation procedures).




To avoid personal injury, be sure to disconnect power to the terminating machine and the stripping module before proceeding.

1. Loosen the cap screw located at the right side of the module.
2. “Back off” the clamp on the right side of the module.
3. Slide the module to the right and lift “up,” to removing the module from the mounting base.

5. PREVENTIVE MAINTENANCE

Preventive maintenance will keep the stripping module in good working order and ensure maximum reliability and service from all of its components.


DANGER *To avoid personal injury, electrical and pneumatic power must be DISCONNECTED at the source prior to maintenance.*



5.1. Cleaning

Clean any debris from the stripping module daily.


DANGER *Compressed air used for cleaning must be reduced to less than 207kPa [30 psi], and effective chip guarding and personal protective equipment (including eye protection) must be used.*



If an air-feed assembly is installed, check and replace the air filter element if necessary.

Wipe off the guards with a clean soft cloth.

CAUTION *DO NOT USE ANY SOLVENT TO CLEAN THE GUARDS. Solvent could damage the guards.*




Remove the stripping assembly and proceed as follows:

- a. Thoroughly clean both the stripping assembly and the area in and around the base plate.
- b. Inspect the stripping assembly for damaged parts, clean the assembly and remove all insulation scrap and wire strands.
- c. Remove all insulation scrap and wire strands from the gripper assembly.
- d. Re-install the stripping assembly.

5.2. Lubrication


Lubricate all sliding surfaces with a general purpose grease at least every 250,000 cycles.

NOTE *Apply grease to groove in the bottom of the strip cam.*




Apply light weight oil to the surfaces of the strip blades.

CAUTION *Do NOT get oil on the cutting surfaces of the blades, or sticking of the insulation slug may occur.*



Use a grease gun to apply grease to the transfer assembly through the grease fitting at least every million cycles.

NOTE *It is necessary to remove the Tooling-in Position Switch to gain access to the grease fitting.*



5.3. AMP-O-LECTRIC Model “G” Terminator Preventive Maintenance

For preventive maintenance procedures for the terminating machine, refer to customer manual 409-5842.

6. DIAGNOSTICS

6.1. Software Version Identification

1. Turn “off” power to the terminating machine and the stripping module.
2. Turn the system “on” and wait for the stripping module controller operator interface LEDs to be turned on.
3. When the LEDs come on, press and hold the **Single Step** button (refer to Figure 6). The Single Step LED will then flash the software version.



*The software version will be repeated as long as the **Single Step** button is depressed.*

The format for the software version is “X. Y. Z.” where:

- X represents the major software revision,
- Y represents the secondary software revision, and
- Z represents the minor software revision.

The “.” between each number is represented by a pause.

When the entire version is finished blinking, a one–second delay will be observed. Following the delay, the software version will be repeated. Thus, a software version of “1.2.3” would be represented as:

- Flash
- (Short Pause)
- Flash, Flash
- (Short Pause)
- Flash, Flash, Flash
- One–second pause

Following the one–second pause, the process will repeat itself.

6.2. Input Monitoring Mode

To place the stripping module controller in the Input Monitoring Mode, proceed as follows:

1. Turn “off” power to the terminating machine and the stripping module.
2. Turn the system “on” and wait for the stripping module controller operator interface LEDs to be turned “on.”
3. With all LEDs on, press and hold the **Mode Select** button (see Figure 6) for two seconds after all the LEDs are turned “off.”
4. Release the **Mode Select** button and the Input monitoring function will be operative.

In this mode, the current state of the switches and inputs are displayed using the LEDs on the operator interface. The LEDs correspond to the inputs as designated below (Figure 11).

LED	INPUT/SWITCH
Strip and Crimp mode LED	(Not used with “G” Terminator)
Crimp Only Mode LED	Tooling installed Switch
Strip Only Mode LED	Guard interlock Switch
Pullback Error LED	Pullback Switch
Transfer Error LED	Side Transfer Switch
Terminator Error LED	Terminator TDC Switch
Error LED	Tonk Switch
Wire Sensor LED	Wire Sensor Input
Footswitch LED	Footswitch Input

Figure 11

Press the **Mode Select** button to exit the diagnostics mode.

7. MECHANICAL ADJUSTMENTS

Most of the mechanical adjustments are made with adjustment screws containing (NYLON) locks. A 3mm wrench is required to make most adjustments.

NOTE



if the adjustment screws become loose, the NYLON locks can be tightened by turning the back-up setscrew clockwise.

DANGER



To avoid personal injury, be sure to disconnect power to the terminating machine and stripping module before making any adjustments.

7.1. Strip Blade Closure Adjustment (Figure 12)

The strip blades must be adjusted to a depth that will permit the cutting and stripping of the insulation slug from the conductor wires. This adjustment is made by turning the setscrew clockwise to strip a smaller wire and counterclockwise to strip a larger wire.

1. Turn “off” power to the terminating machine and stripping module.
2. Move the stripping assembly to the right side of the transfer assembly.
3. Pull the cam assembly forward using a 3mm hex wrench. (Blades should be in the “closed” position.)
4. Insert a stripped wire into the opening of the blade assembly.
5. Using the strip depth adjustment screw, adjust the blade closure until the blades drag on the conductor of the wire, then rotate the adjustment screw 1/4–turn counterclockwise. Rotate the adjustment screw clockwise to close the blades for smaller wire and counterclockwise to increase the blade opening for larger wire.
6. Remove the hex wrench before “powering up” the machine.

7.2. Strip Length Adjustment (Figure 12)

The wire strip length may vary between applicators and various terminals.

This adjustment is made with the adjustment screw located at the front of the stripping module. Turn the adjustment screw clockwise to increase the strip length or counterclockwise to decrease the strip length.

7.3. Wire Brush Adjustment (Figure 12)

1. Turn “off” power to the terminating machine and stripping module.
2. Slightly loosen the applicator latch.
3. Turn the wire brush adjustment screw clockwise to decrease the wire brush or counterclockwise to increase the wire brush.
4. Push the strip mechanism toward the rear of the machine until the adjustment screw hits the rear stop.
5. Tighten the applicator latch.

CAUTION



If the applicator latch is not fully tightened, the top portion of the strip subassembly may move, causing variations in the wire brush.

7.4. Gripper Adjustment

A. Jaw Height Adjustment

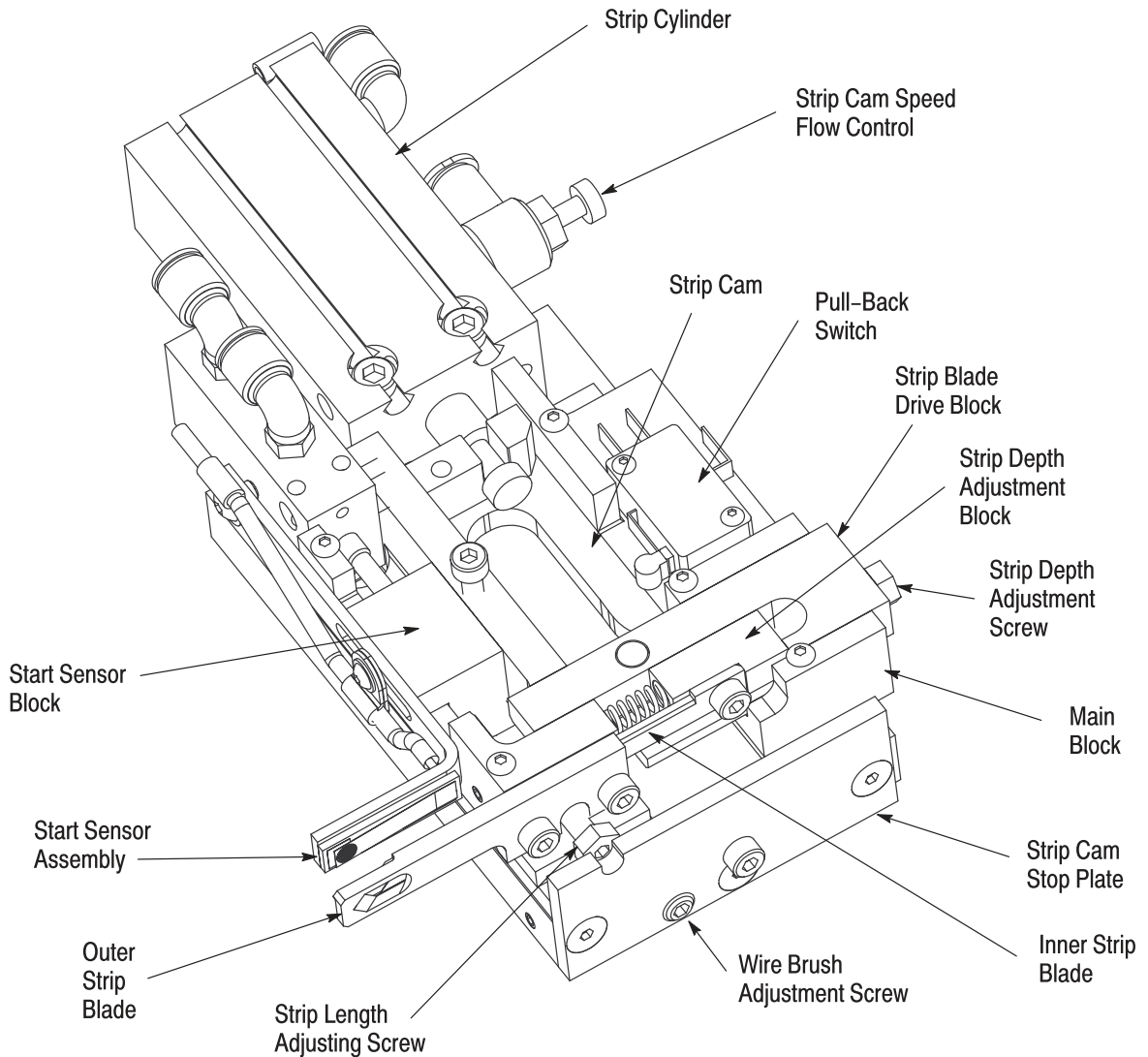
The jaw height adjustment is required to align the center of the wire to be stripped with the center of “V”-shaped opening in the outer strip blade.

1. Turn “off” power to the terminating machine and stripping module.
2. Place a wire onto the lower jaw (Figure 13) and insert the wire through the opening in the strip blades.
3. Center the wire in the center of the “V” opening in the outer blade by turning the jaw–height adjustment screw located on the top of the right gib of the grip sub–assembly. Turning the adjustment screw clockwise will lower the jaw. Turning the adjustment screw counterclockwise will raise the gripper jaw.

B. Gripper Pressure Adjustment

The gripper pressure adjustment may be necessary to prevent damage to the wire insulation.

To see the pressure level on the gage, enter the Step Mode while in Strip And Crimp Mode or Strip Only Mode. Perform the first step by pressing the step button. This will close the grip jaw and the pressure will be displayed on the gage next to the gripper pressure regulator (Figure 1).



Stripping Subassembly

Figure 12

- *Increase* the pressure by pulling the lock knob away from the machine and turning the knob *clockwise*. Push the lock knob back toward the machine after adjustment.
- *Decrease* the pressure by pulling the lock knob away from the machine and turning the knob *counterclockwise*. Push the lock knob back toward the machine after adjustment.



If the pressure is set too low, the wire may be pulled through the grip jaws during the pull back motion causing wire damage. If this occurs, increase the gripper pressure until the insulation is pulled off the wire properly.

7.5. Tonk Adjustment

The tonk adjustment is required to make sure that the wire is level between the terminal and gripper jaws during the crimping operation.

1. Turn “off” power to the terminating machine and the stripping module.
2. Open the main guard.
3. Push the transfer sub-assembly (Figure 13) along with the stripping subassembly (Figure 12) to the right-side position.
4. Insert a pre-stripped wire through the gripper jaws into the approximate location required for wire stripping.
5. Manually close the upper gripper jaw onto the wire.
6. Remove the protective cover from the rear of the Model “G” Terminating Machine. Then use a wrench to lower the machine ram to its lowest point.
7. Make sure the wire is sitting in the terminal crimp barrel.
8. If the wire is not in the correct position, *loosen* the T-handle on the tonk block (Figure 3) and turn the locknut on tonk rod from left-to-right to lower the wire; turn the locknut on tonk rod from right-to-left to raise the wire.
9. Tighten the T-handle on the tonk block.
10. Return the terminating machine ram to the top position and re-install the protective cover at the rear of the machine.

7.6. Strip Cam Speed Adjustment (Figure 12)

The strip cam speed may need to be adjusted (slowed) if the gripper pressure is lowered enough to slow the grip cylinder.

Adjust the strip cylinder speed by turning the flow control knob on the side of the strip air cylinder. Turn the knob clockwise to slow the cylinder speed; turn the knob counterclockwise to increase the cylinder speed.

7.7. Start Sensor Gap Adjustment

If the start sensor lever gap becomes too small, the start sensor may not operate properly. Errors (such as *Error 13 — Wire sensor is bad or stuck in the “down” position*) may occur. Refer to Figure 10 for a listing of errors.

Using the set screw on the back side of the start sensor assembly, adjust the start sensor lever gap to achieve a .25mm [.010 in.] gap between the printed circuit board and the lever. See Figure 14.

Turn the set screw clockwise to increase the gap; counterclockwise to decrease the gap.

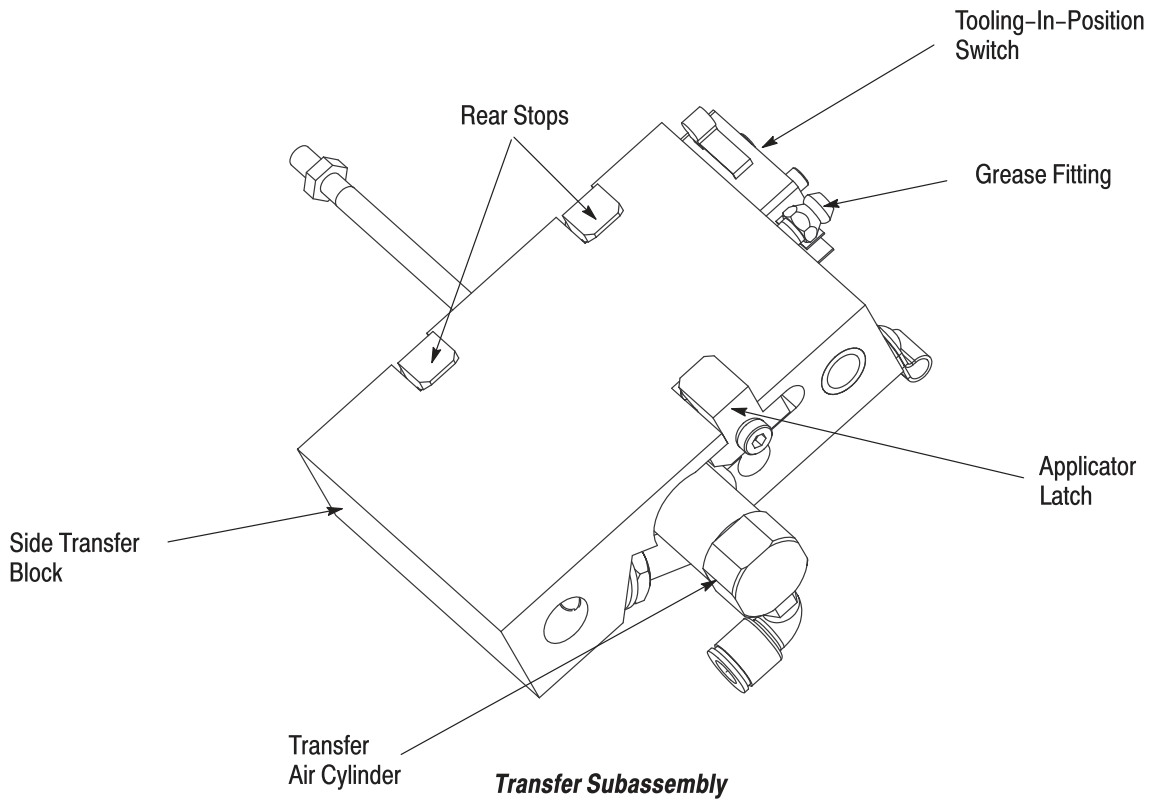
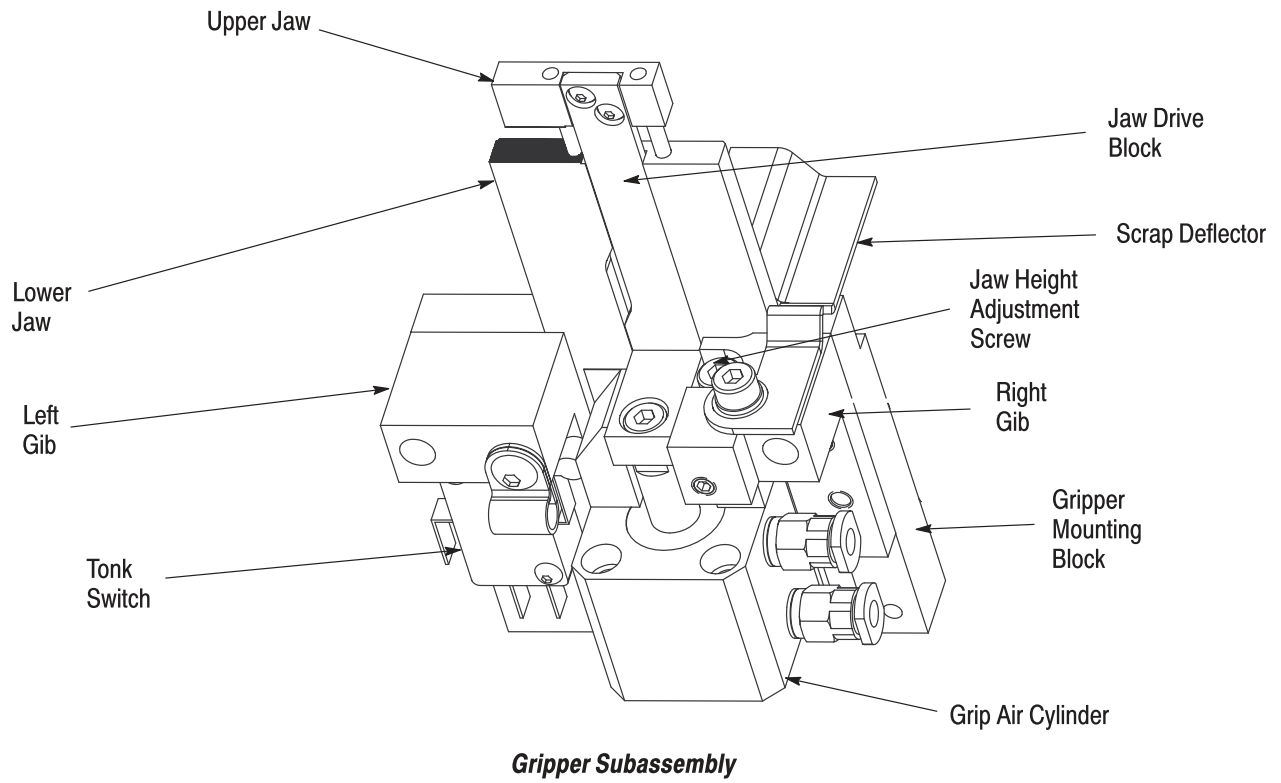


Figure 13

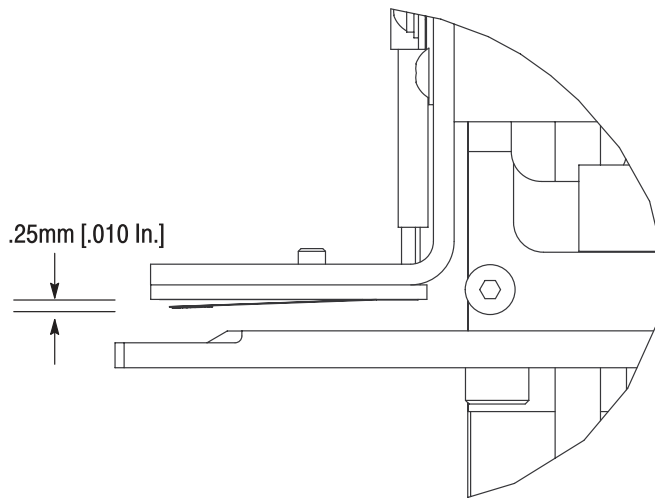


Figure 14

8. ELECTRICAL ASSEMBLY

Refer to the electrical assembly drawings shipped with the machine.

9. PARTS REPLACEMENT

9.1. Strip Blade Replacement (Figure 15)



To avoid personal injury, be sure to disconnect power to the terminating machine and stripping module and before replacing strip blades.

1. Turn power to the stripping module OFF.
2. Loosen the screws securing the scrap covers. Then slide the scrap covers off.
3. Remove the outer blade by removing the two screws securing the blade to the main block.
4. Remove the inner blade by removing the single screw securing the blade to the blade adjustment block.
5. Install new blades (replacement is in reverse order of removal).
6. Check the strip depth after removing/replacing the blades. Adjustment may be required.

9.2. Start Sensor Assembly Replacement (Figure 15)



To avoid personal injury, be sure to disconnect power to the terminating machine and stripping module before replacing the start sensor.

1. Turn power to the stripping module OFF.
2. Remove the cable clamp from the rear of the strip cylinder.
3. Remove the three screws securing the start sensor assembly to the start sensor block.
4. Install the new start sensor assembly onto the start sensor block by installing the two outer screws into the block and *loosely* tightening them.
5. Turn the strip length screw (Figure 12) clockwise until the main block is 10.16 [.400] from the strip cam stop plate. See Figure 16.
6. Adjust the start sensor arm so that the lever is 4.78 [.188] from the back of cutting surface of the outer strip cam.



When adjusting the outer strip arm, be sure that the start sensor block is pushed forward against the strip length adjustment screw.

7. Adjust the height of the start sensor so that the lever is centered in the opening of the outer strip blade.
8. Fully tighten two screws securing the start sensor assembly to the start sensor block.
9. Install the middle screw through the wire clamp and start sensor arm and into the start sensor block. Fully tighten the middle screw.
10. Install the wire clamp onto the strip air cylinder with the new start sensor assembly wire passing through the clamp.

NOTE

Be sure that a loop of wire exists between the wire clamp on the back of the strip air cylinder and the start sensor arm when the arm is located all the way forward.

9.3. Recommended Spare Parts

- Start Sensor Assembly – 1424647-1
- Stripping Blades – Outer Blade — 1424650-1; Inner Blade — 1424649-1

10. REVISION SUMMARY

Since the previous release, the document format updated to current corporate requirements and the logo was changed.

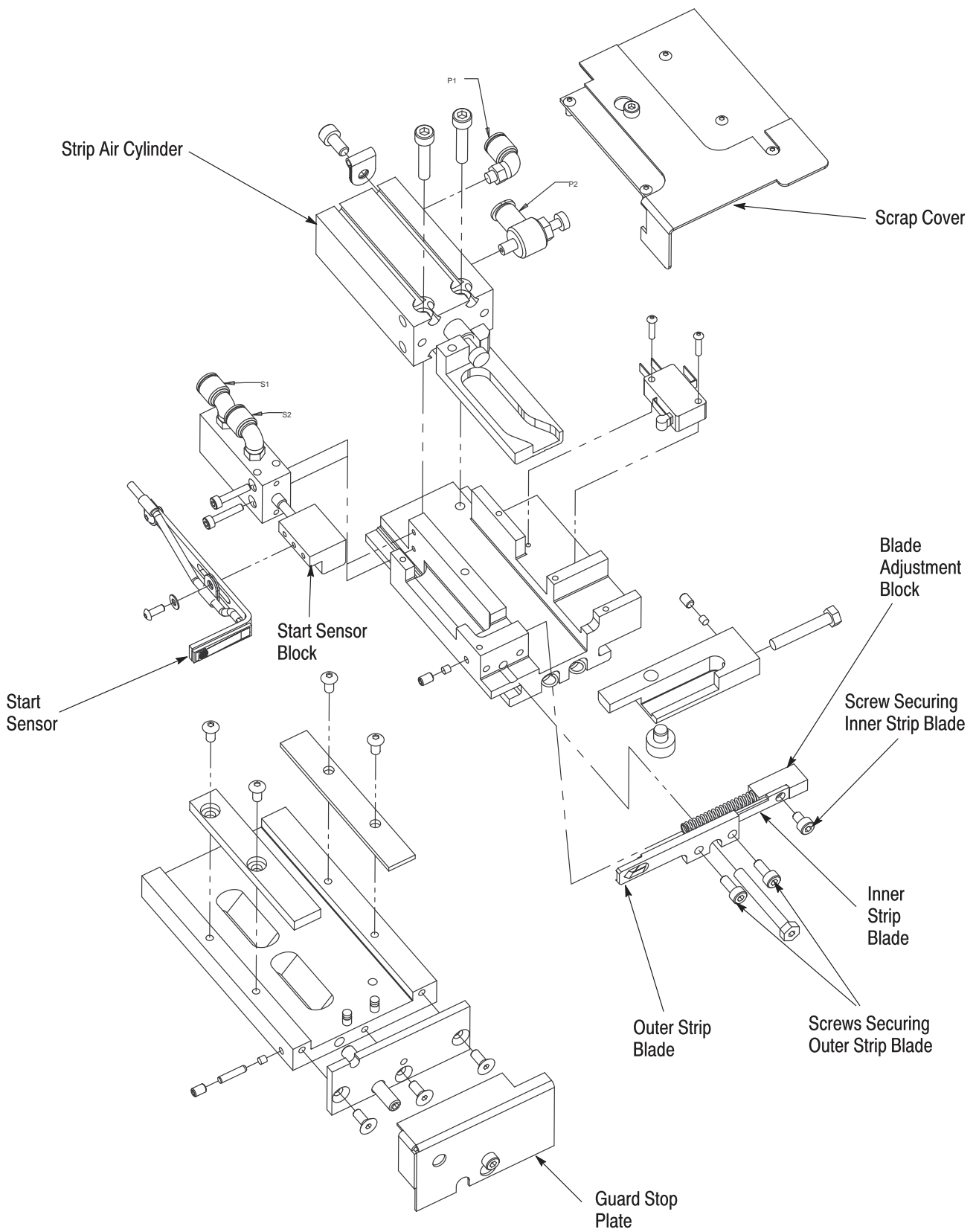


Figure 15

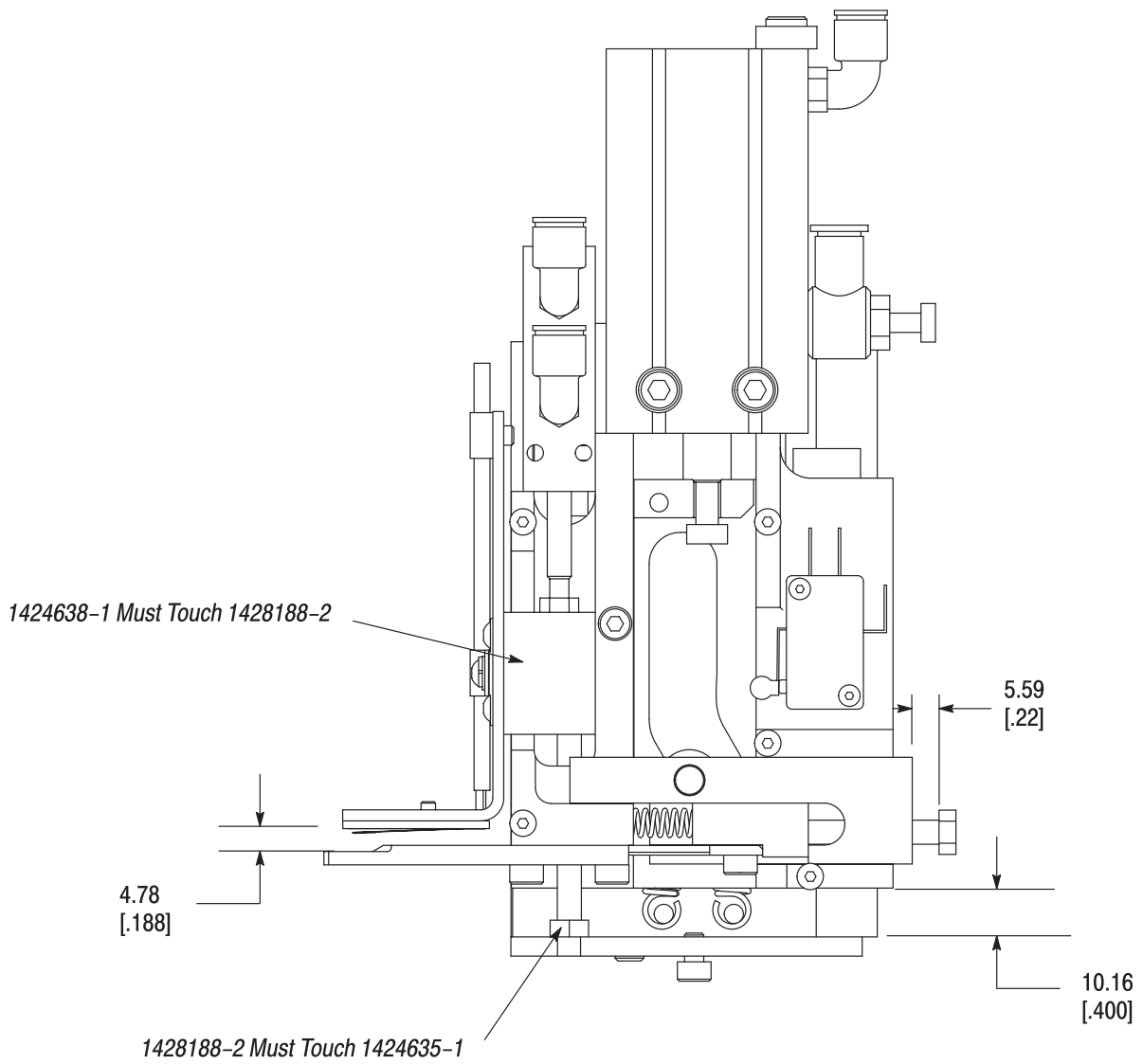


Figure 16