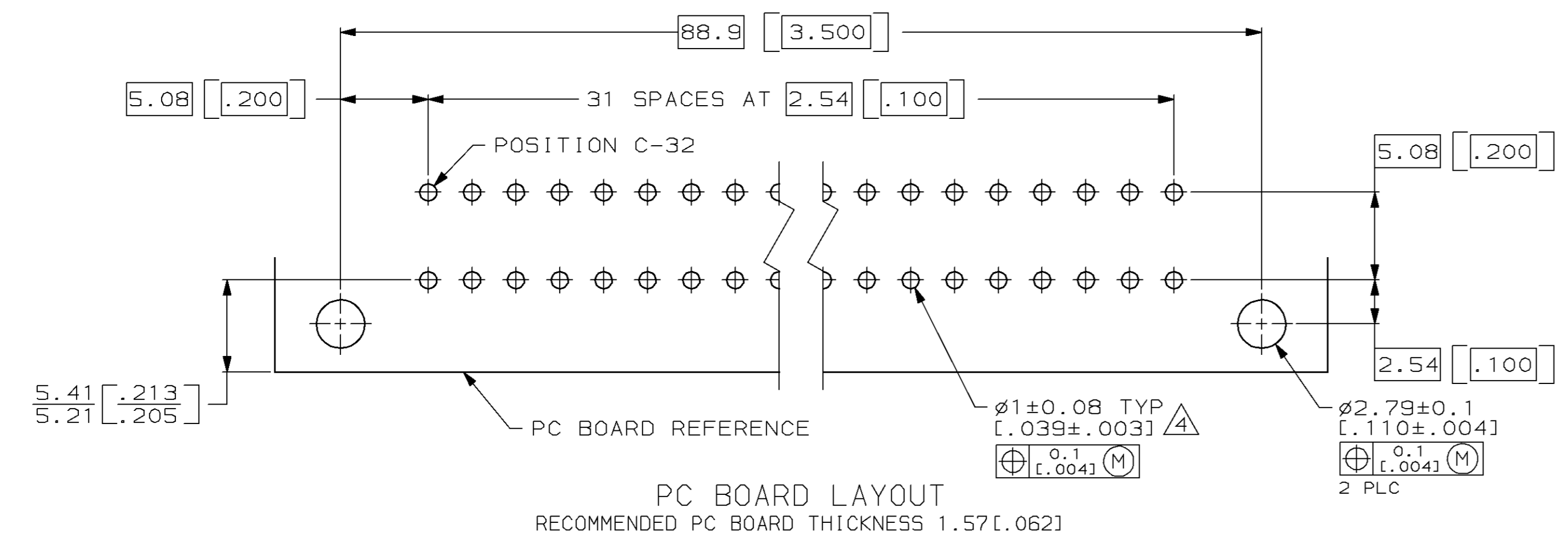
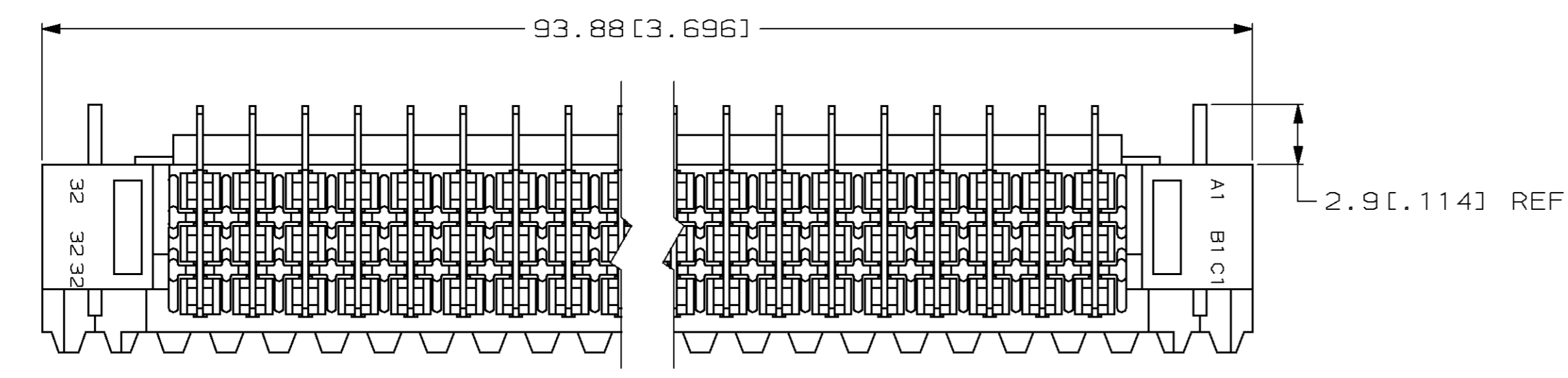
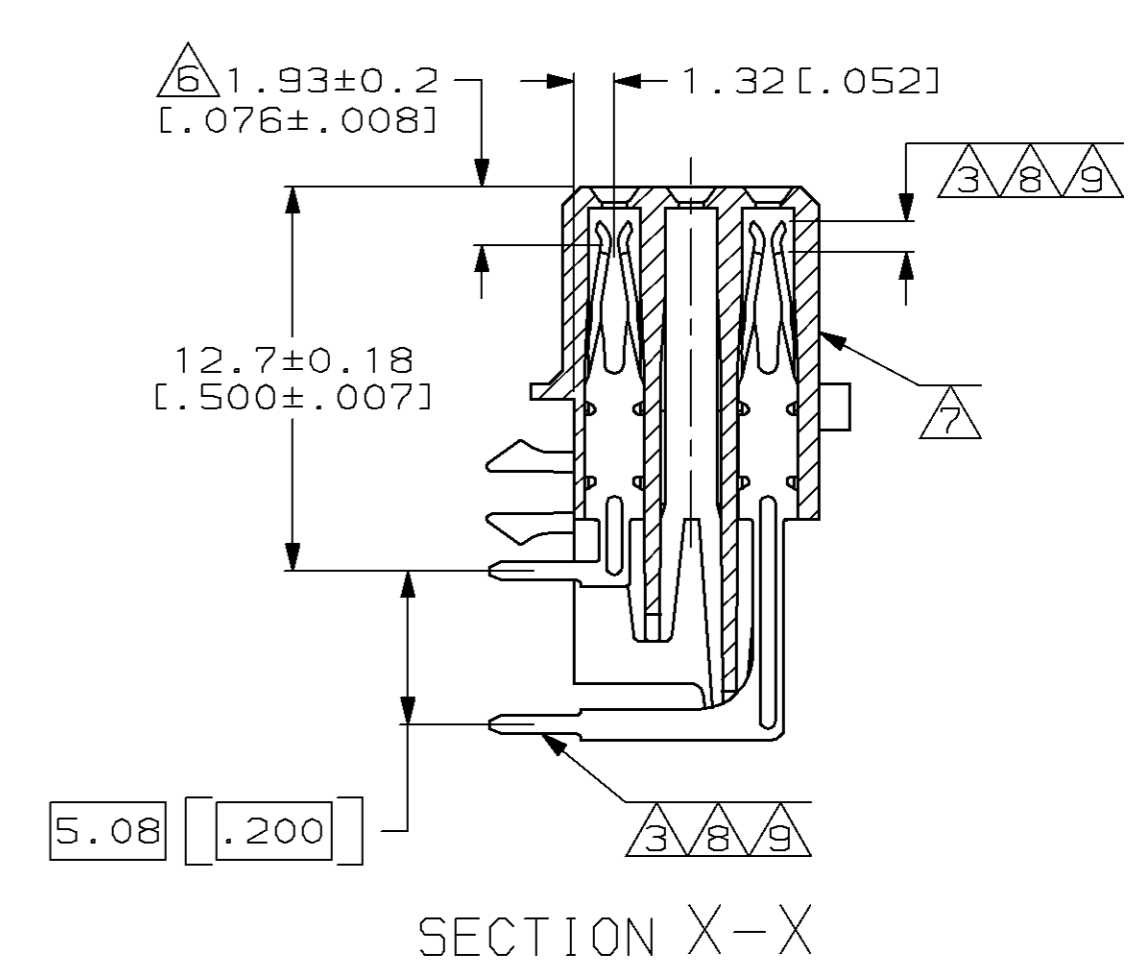
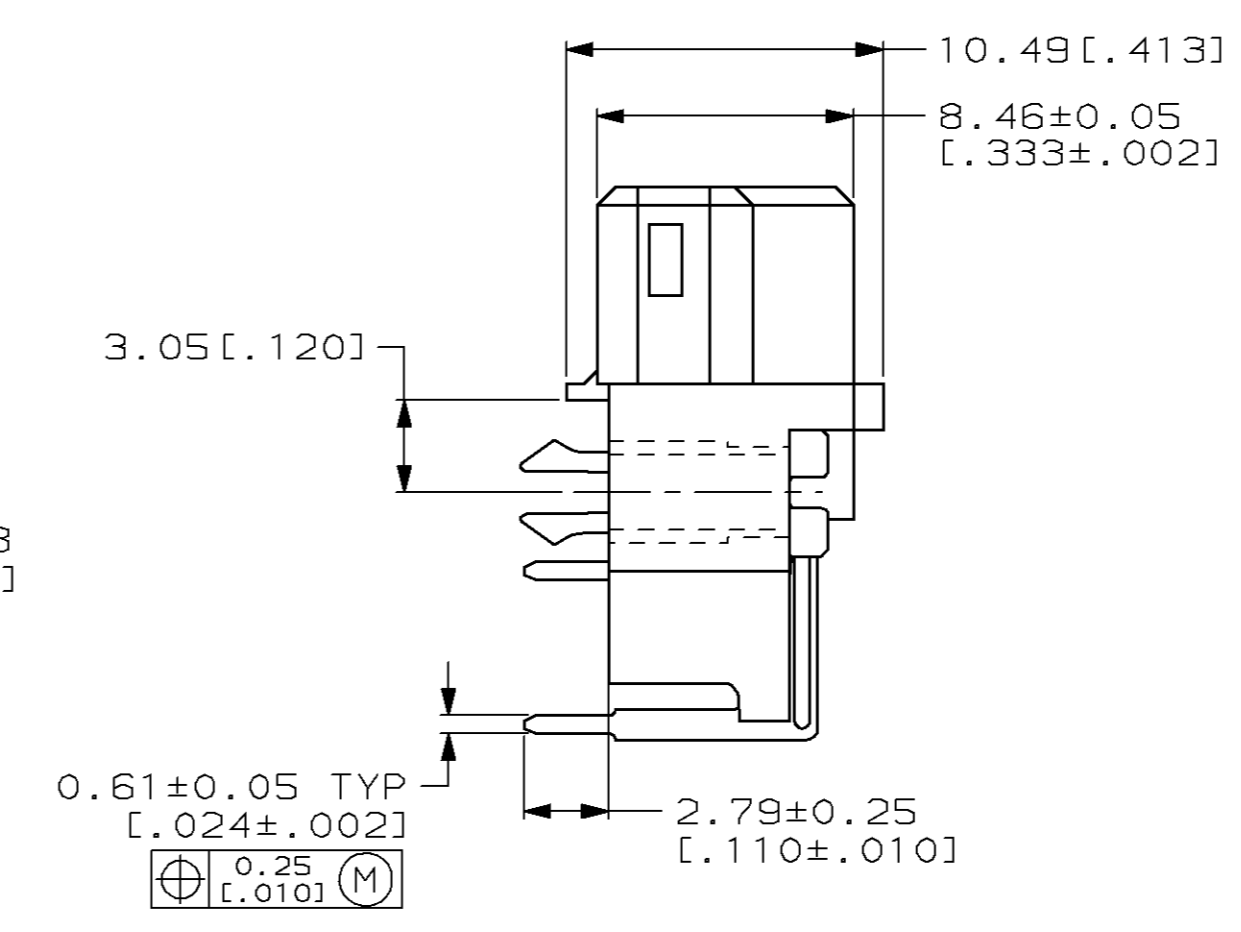
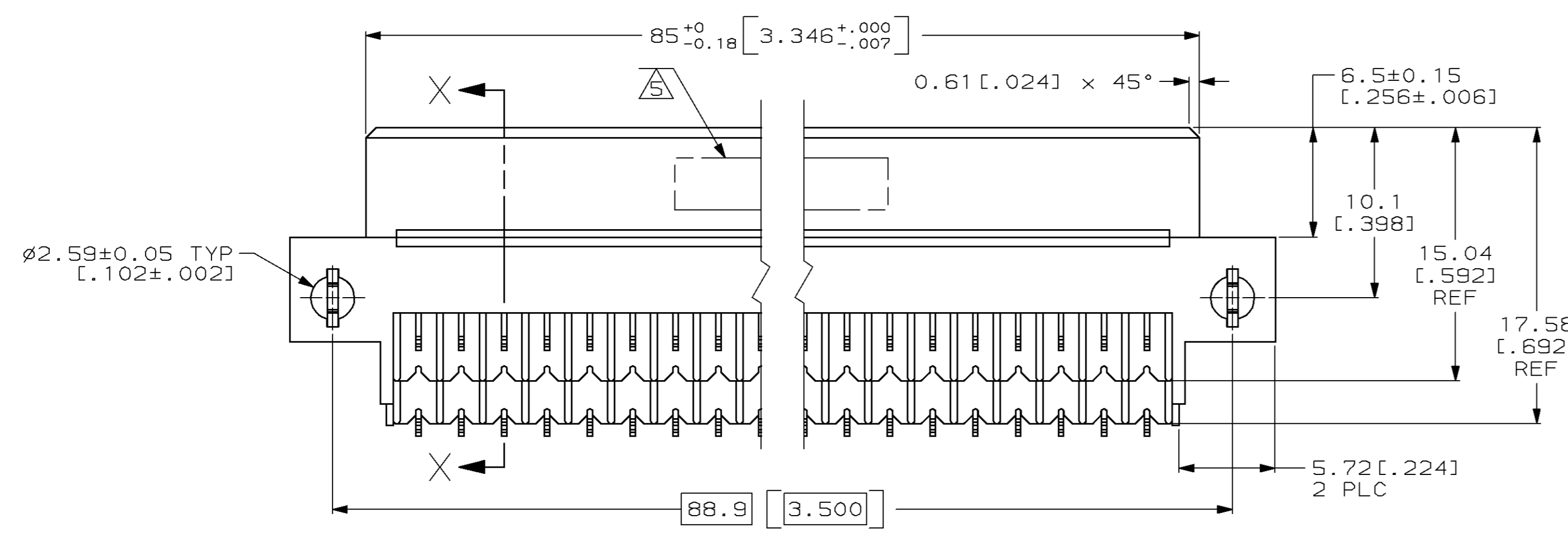
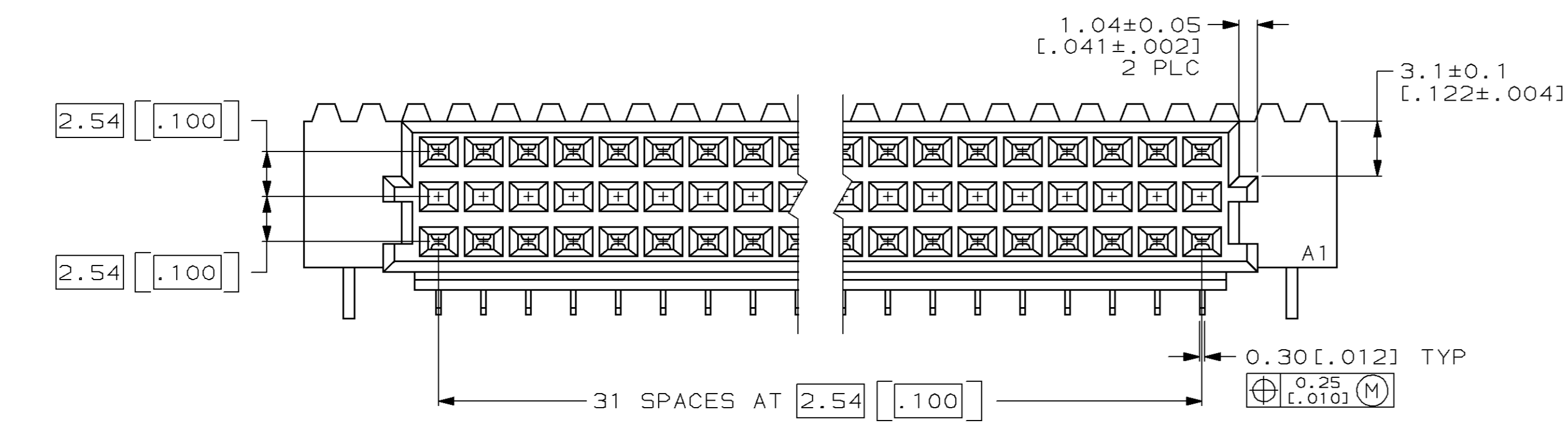


LOC		DIST		P		F		ZONE		LTR		REVISIONS			
AD	25											DESCRIPTION	DATE	APPD	
												P	EC 0504-0052-96	6/27/97	CR



- △ HOUSING MATERIAL: GLASS-FILLED POLYESTER. COLOR: GRAY.
- △ CONTACT MATERIAL: PHOSPHOR BRONZE.
- △ CONTACT FINISH: 0.00076 [.000030] GOLD IN CONTACT AREA. 0.00127 [.000050] NICKEL UNDERPLATE ALL OVER. TIN-LEAD PLATE ON POSTS.
- △ RECOMMENDED HOLE SIZE FOR MANUAL APPLICATION OF CONNECTOR ONTO PC BOARD.
- △ PART NUMBER, DATE CODE IDENTIFICATION, CSA LOGO HOT-STAMPED THIS APPROXIMATE AREA.
- △ CONTACT POINT.
- △ HOT-STAMPING ON THIS SIDE.
- △ CONTACT FINISH: DIN 41612 CLASS 3 IN CONTACT AREA. TIN-LEAD PLATE ON POSTS.
- △ CONTACT FINISH: DIN 41612 CLASS 2 IN CONTACT AREA. TIN-LEAD PLATE ON POSTS.

OBsolete	△						
	8	1-32	X	-	X	64	650897-9
	9	1-32	X	-	X	64	650897-5
	3	1-32	X	-	X	64	650897-4
NOTES		POSITIONS LOADED	C	B	A	NO. OF LOADED POSITIONS	PART NUMBER

DO NOT SCALE PRINT. UNLESS SPECIFIED DIMENSIONS IN mm [INCHES] TOLERANCES ON:	DR L. BRINER 10/23/90	AMP INCORPORATED Harrisburg, Pa. 17105
1 PLC DEC ± -	CHK N. DRASHER 11/10/90	
2 PLC DEC ± 0.13(.005)	APPD N. DRASHER 11/10/90	NAME
ANGLES ± -	APPD K.R. PARMER 11/10/90	RECEPTACLE ASSEMBLY, EUROCARD, TYPE "R" WITH BOARD LOCKS
MATERIAL	PRODUCT SPEC	SIZE
HOUSING: △		D 00779
CONTACT: △		CAGE CODE
		00779
FINISH	APPLICATION SPEC	DRAWING NO
CONTACT: △△△		650897
	WEIGHT	SCALE
		4:1
		SHEET
		1 OF 1