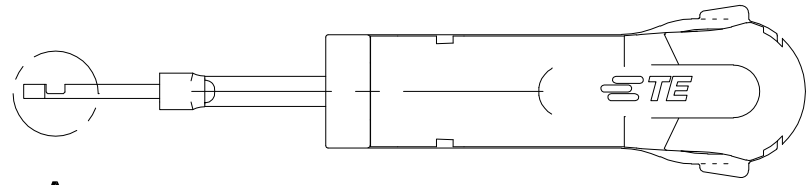


THIS DRAWING IS UNPUBLISHED.

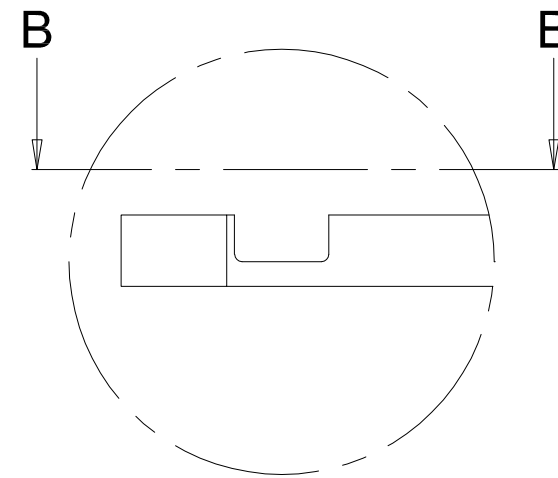
RELEASED FOR PUBLICATION

© COPYRIGHT - BY TYCO ELECTRONICS CORPORATION. ALL INTERNATIONAL RIGHTS RESERVED.

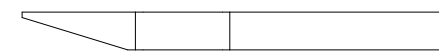
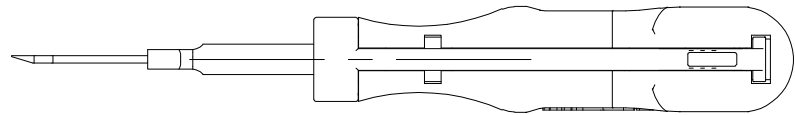
LOC	DIST	REVISIONS			
P	LTR	DESCRIPTION	DATE	DWN	APVD
-	-	ECR-17-000462	12JAN2017	KH	RG



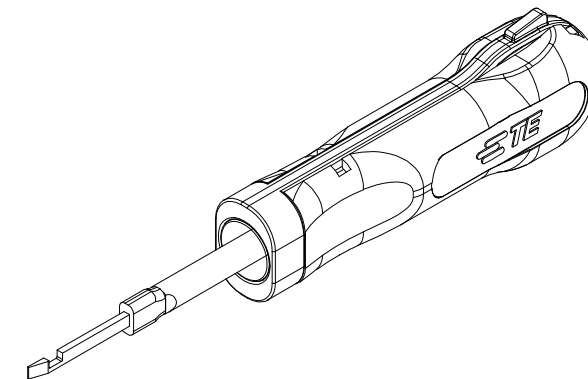
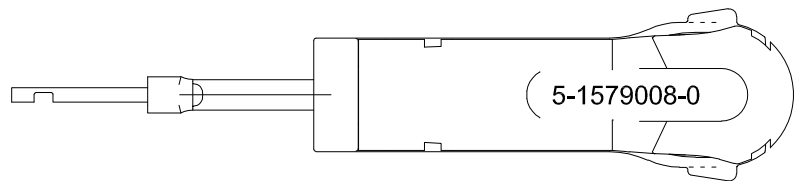
A



A
5:1



B-B
5:1



FOR CONTACTS / HOUSINGS:

RH secondary lock

THIS DRAWING IS A CONTROLLED DOCUMENT.		DWN	m.pearson	06.11.2006	STE TE Connectivity			
		CHK	-	06.11.2006				
DIMENSIONS:		TOLERANCES UNLESS OTHERWISE SPECIFIED:		APVD	NAME			
mm				-	EXTRACTION TOOL			
		0 PLC	± -	PRODUCT SPEC	ENTRIEGLUNGSWERKZEUG			
		1 PLC	± -	-				
		2 PLC	± -	APPLICATION SPEC				
		3 PLC	± -	-				
		4 PLC	± -	-				
MATERIAL		FINISH		WEIGHT	SIZE	CAGE CODE	DRAWING NO	RESTRICTED TO
				0,000kg	A3	00779	C-5-1579008-0	-
CUSTOMER DRAWING					SCALE	SHEET	REV	
					1:1	1 OF 1	B	