

specifications

CRI	Voltage	Ambient Temp (F)	Color Temp	Material	IP Rating	Efficacy	Gross Weight	Beam Angle	Warranty	Case QTY
80	100-277 V ⚡	-40° - 141°	5000K	copper free aluminum housing	IP 66	140 LM / W	11.90 lbs	120°	6 years	1 pcs

select your fixture

Part Number	Color Temp	Consumption	Lumen Output	Emergency Driver	Dimensions
GI-EPO-C100-C1D2	5000K	20W	2,800	No	5.71" x 10.04"

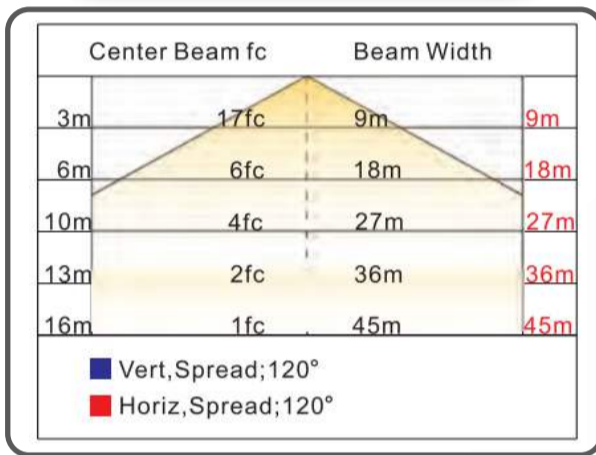
Included accessory*

Accessories Part Number	Description
1.) GI-ACC-EPCW	Ceiling / Wall mount

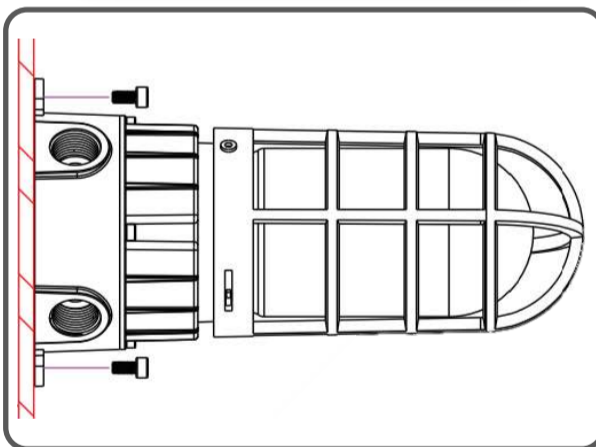
Optional accessories*

Accessories Part Number	Description
2.) GI-ACC-EPPM	Pendant Mount
3.) GI-ACC-EPWE	Wall Elbow
4.) GI-ACC-EPR	Reflector
5.) GI-ACC-EPEX	Extension
6.) GI-ACC-EPG	Globe
7.) GI-ACC-EPPG	Protective Guard
8.) GI-ACC-EPHS	Heat Sink
9.) GI-ACC-EPGB	Gray Bank
10.) GI-ACC-EPCB	Clear Bank

Distribution Diagram

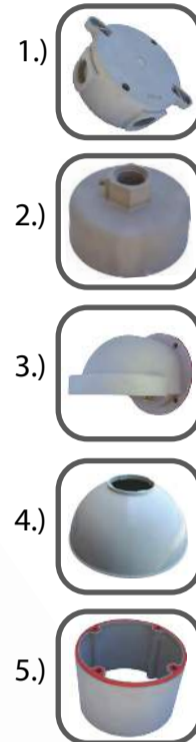


Mounting Diagram



Features

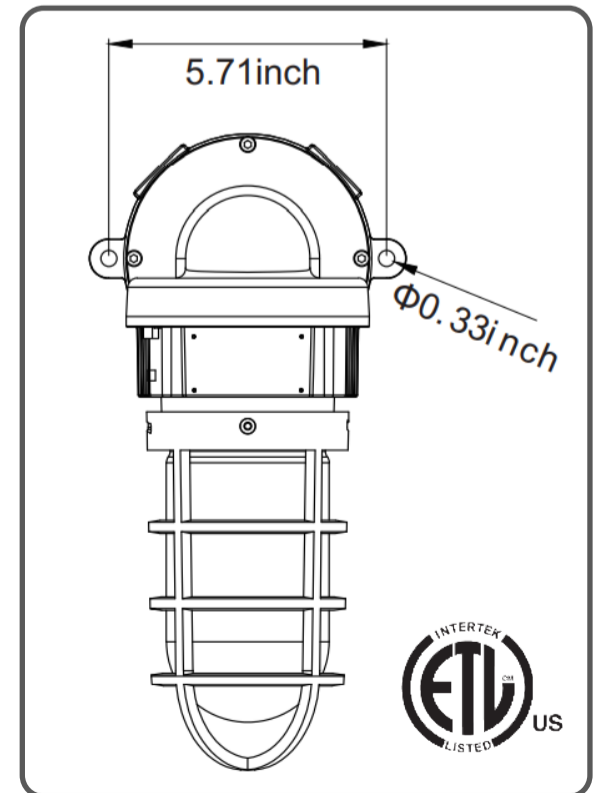
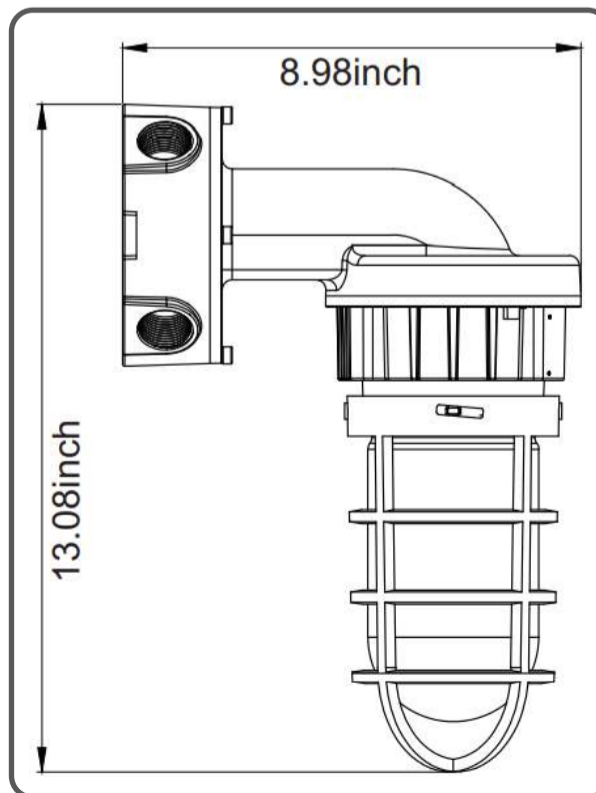
- Rated for high temperatures, humidity, dust and vapor locations
- Top suction installation
- Light weight design
- Heavy duty and high impact resistance
- Various installation options for particular applications
- Non-dimmable



optional*



Dimensional Diagram



Not all product variations listed on this page may be DLC qualified. Visit www.designlights.org/search to confirm qualification.

