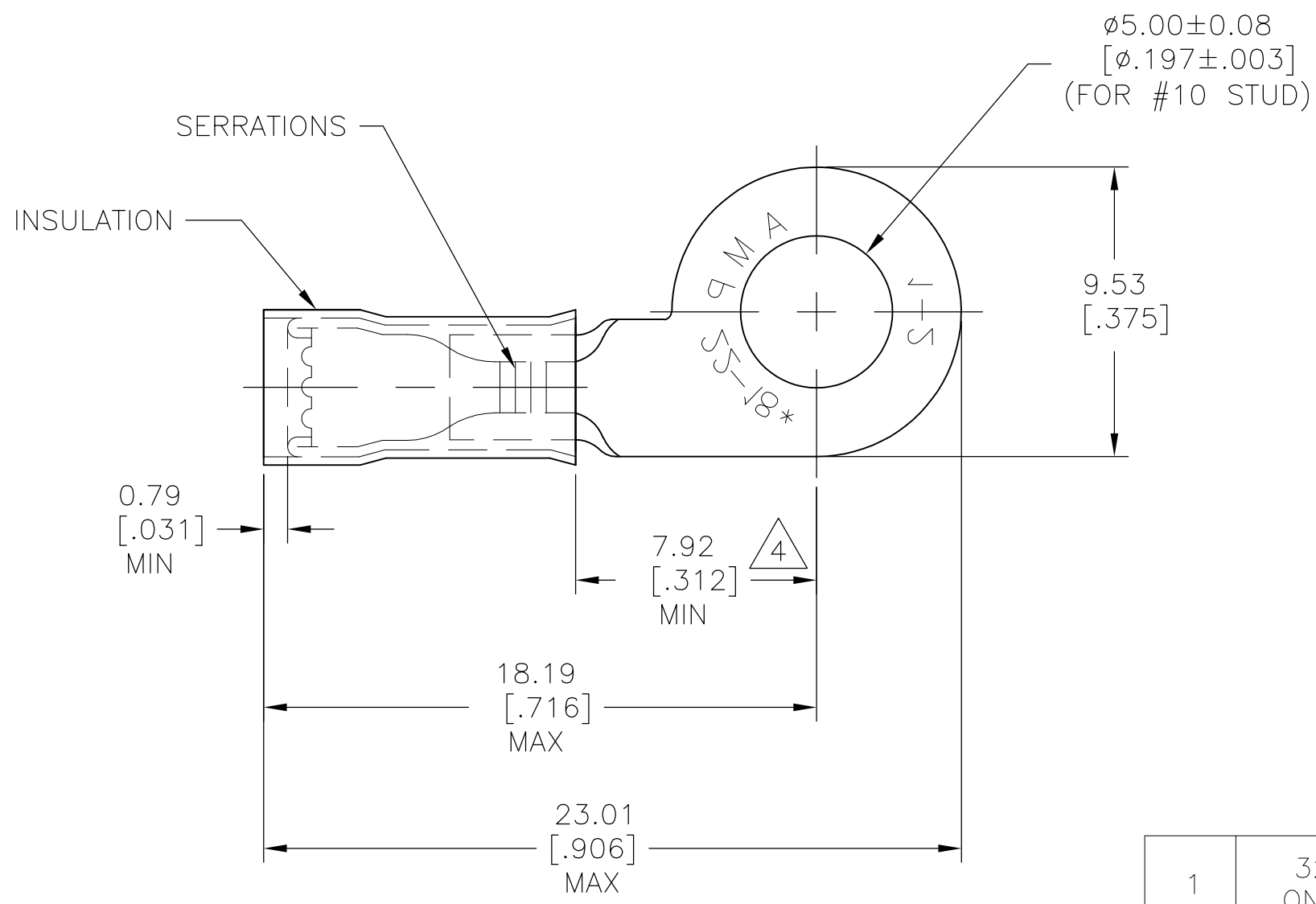


THIS DRAWING IS UNPUBLISHED. RELEASED FOR PUBLICATION
 © COPYRIGHT BY TYCO ELECTRONICS CORPORATION. ALL INTERNATIONAL RIGHTS RESERVED.

LOC	DIST	REVISIONS			
P	LTR	DESCRIPTION	DATE	DWN	APVD
G	14	E1	REVISED PER ECR-09-017960	27AUG09	HMR JR

- 1 FOR 2.03 [.080] TO 3.18 [.125] WIRE INSULATION DIA
 - 2 TONGUE MATERIAL THK = 0.79±0.05 [.031±.002]
 - 3 MARKING 22-18 FOR MILITARY COMMERCIAL RANGE 22-16
- △ 4 APPLIES FROM THE METAL EDGE OF THE BARREL TO THE CENTER OF THE STUD



QTY	DESCRIPTION	MATERIAL & FINISH	PART NO
1	324011 ON TAPE	BODY & SLEEVE: COPPER (ASTM-B152) TIN PL (ASTM-B545)	OBSOLETE -2-324011-2
1	WIRE TERMINAL	INSULATION: NYLON (ASTM-D4066) TYPE 1, COLOR: RED	324011

THIS DRAWING IS A CONTROLLED DOCUMENT.		DWN RAGHAVENDRA 27AUG09	Tyco Electronics Corporation Harrisburg, PA 17105-3608	
DIMENSIONS: mm [INCHES]		CHK JEFF RUTH 27AUG09	NAME WIRE TERMINAL PIDG - RING TONGUE OFFSET WIRE SIZE: 22 - 16	
TOLERANCES UNLESS OTHERWISE SPECIFIED:		APVD TOM MICHIELUTTI 27AUG09	PRODUCT SPEC	
0 PLC ± -		APPLICATION SPEC		
1 PLC ± -		WEIGHT -		
2 PLC ± -		SIZE A3 CAGE CODE 00779 DRAWING NO C-324011 RESTRICTED TO -		
3 PLC ± 0.20 [.008]		SCALE 5:1 SHEET 1 OF 1 REV E1		
4 PLC ± -		CUSTOMER DRAWING		
ANGLES ± 5°				
MATERIAL SEE TABLE		FINISH SEE TABLE		