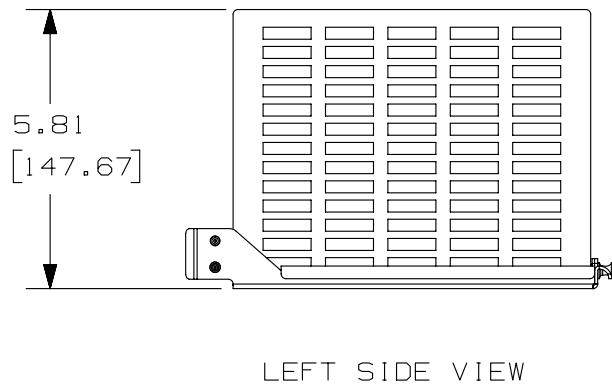
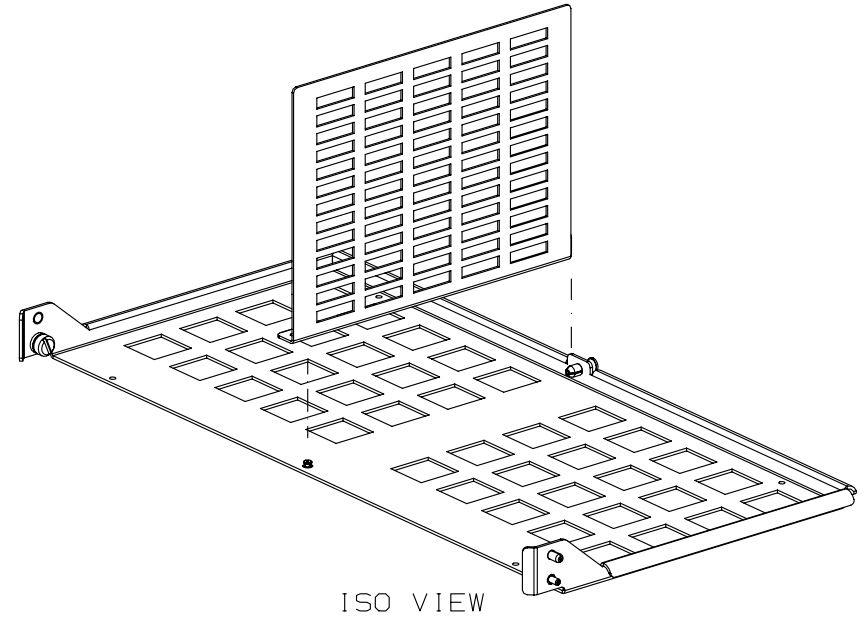
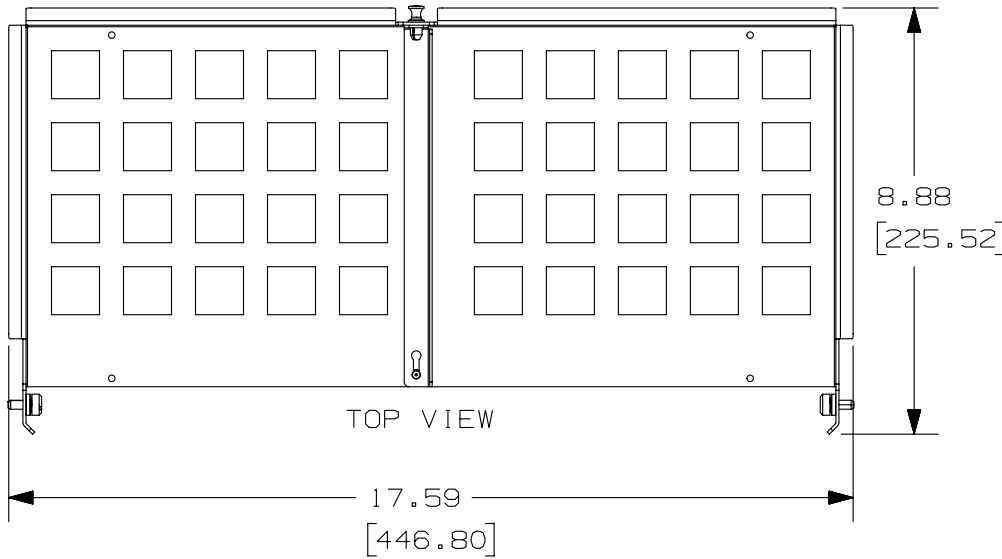



THIS COPY IS PROVIDED ON A RESTRICTED BASIS AND IS NOT TO BE USED IN ANY WAY DETRIMENTAL TO THE INTERESTS OF PANDUIT CORP.

NOTES:

1. SEE CATALOG FOR COMPLETE LIST OF PARTS APPLICABLE FOR USE WITH THIS PART.
2. DIMENSIONS IN BRACKETS ARE METRIC.
3. MATERIAL: GALVANNEALED STEEL
COLOR: BLACK
WEIGHT: 3.55 lb (1.61 kg)
4. INCLUDES QUICK-RELEASE DIVIDER WALL TO PREVENT FURCATION TANGLING.
5. TOOLLESS MOUNTING TO REAR OF HD FLEX ENCLOSURE.
6. ALL MATERIALS AND COMPONENTS USED MEET THE MATERIAL RESTRICTIONS OF RoHS (EUROPEAN DIRECTIVE 2011/65/EC ON THE RESTRICTION OF HAZARDOUS SUBSTANCES) AS PROPOSED BY THE RoHS TECHNICAL ADAPTATION COMMITTEE.



							TITLE				HD FLEX 4RU REAR SLACK MANAGEMENT PLATE				
											CUSTOMER DRAWING				
							ITEM REVISION NAME				12F187JH/00				
							DATASET FILE NAME				12F187JH_DC/00A				
							UNLESS OTHERWISE SPECIFIED, DIMENSIONAL TOLERANCES ARE: IN (mm)				 PART NO. FLEX-PLATE4U				
							.x ± .xx ± .03 (0.8) .xxx ± .010 (0.3) ANGLES ±								
00 01-13-15 SAT BSN TMK RELEASED TO PRODUCTION							12F187JH-DC				DRAWING NUMBER: 12F187JH-DC				
REV	DATE	BY	CHK	APR	DESCRIPTION			ECN	DRAWN BY SAT	DATE 01-13-15	CHK SAT	SCALE 1:4	SHT 1 OF 1		SIZE A