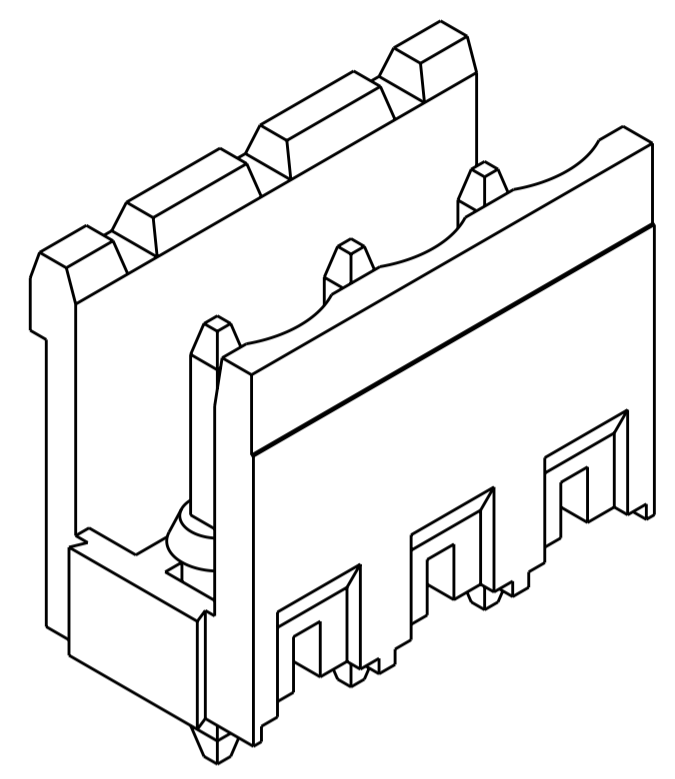
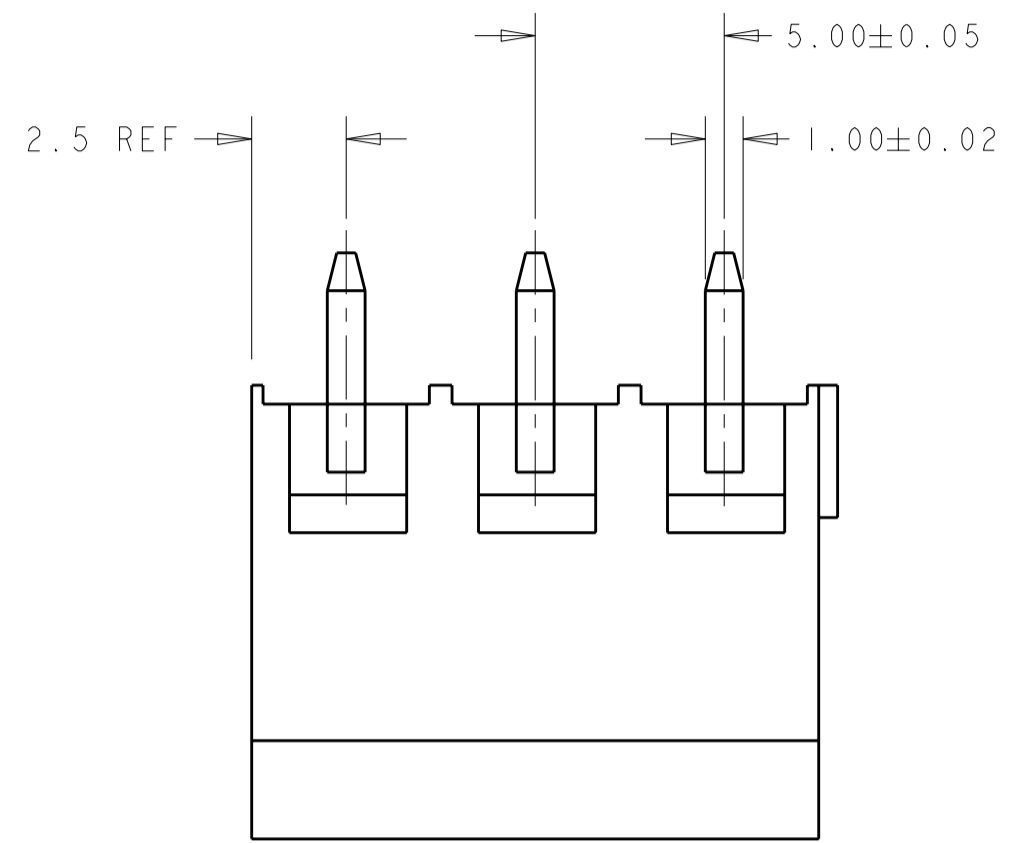


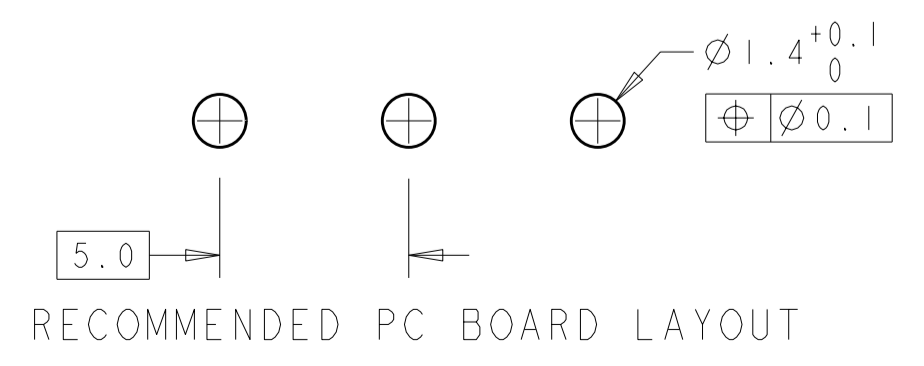
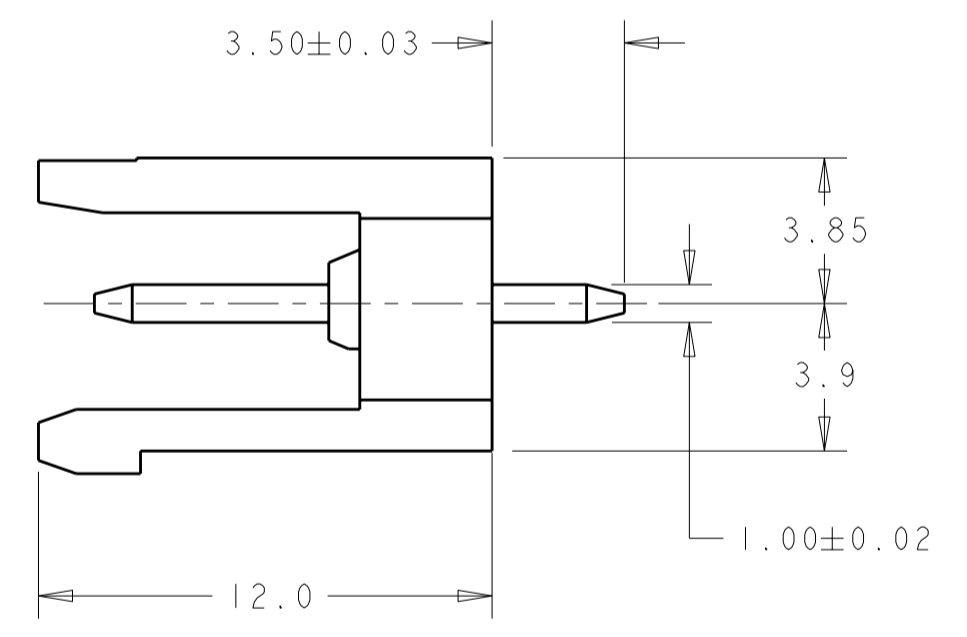
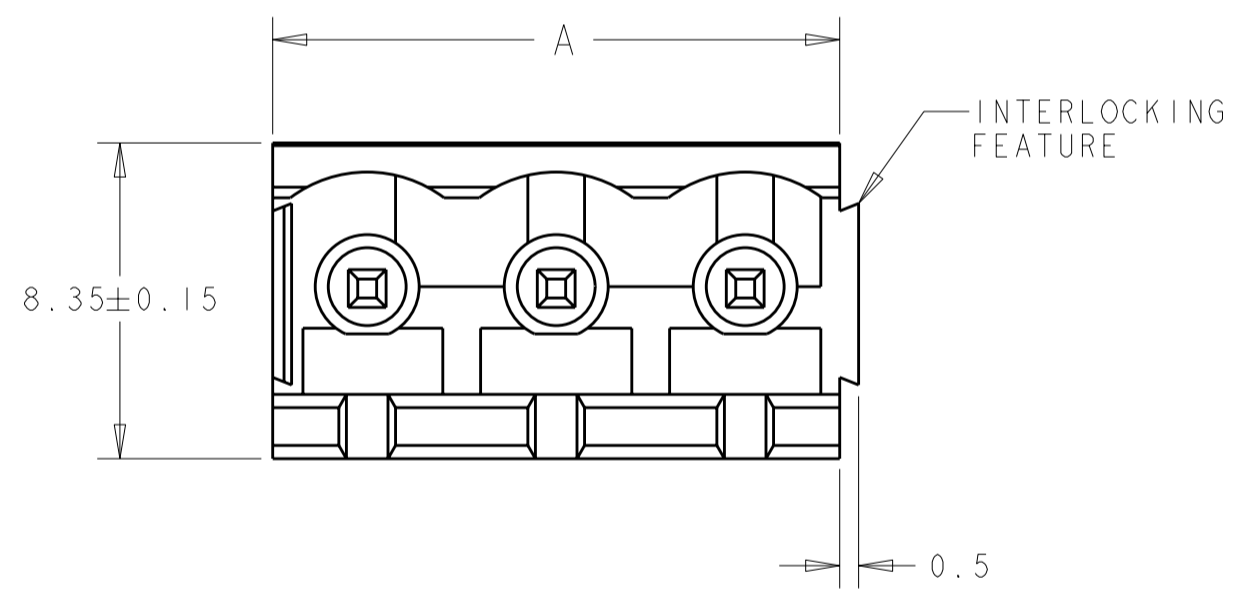
THIS DRAWING IS UNPUBLISHED. RELEASED FOR PUBLICATION 20
 © COPYRIGHT 20 Tyco Electronics AMP GmbH ALL RIGHTS RESERVED.

LOC		DIST		REVISIONS			
P	LTR	DESCRIPTION	DATE	DWN	APVD		
	01	REVISED PER ECO-12-007711	26APR2012	KH	MS		



1. MATERIALS AND FINISH
 HOUSING: HIGH TEMPERATURE POLYAMIDE, UL 94V-0 RATED,
 COLOR: BLACK.
 TERMINAL: COPPER ALLOY, TIN PLATED.
2. SUITABLE FOR 1,6-2,4mm PC BOARD THICKNESS.
3. END-TO-END STACKABLE WITHOUT LOSS OF CENTERLINE SPACING.
4. RECOGNIZED UNDER THE COMPONENT PROGRAM OF UNDERWRITERS LABORATORIES INC., FILE N° E60677.
5. IMQ CERTIFICATE WITH SURVEILLANCE IN CONFORMITY WITH IEC 998-1/998-2-1.
6. UL RATING: 300V, 15A.

1776142-3 AS SHOWN



20.0	4	1776142-4
15.0	3	1776142-3
10.0	2	1776142-2
A	NO OF POSN	PART NUMBER

THIS DRAWING IS A CONTROLLED DOCUMENT.		DWN S. WELDON 28JUN2005	STE TE Connectivity	
DIMENSIONS: mm		CHK C. RICHARD 28JUN2005		
TOLERANCES UNLESS OTHERWISE SPECIFIED:		APVD C. RICHARD 28JUN2005	NAME: TERMINAL BLOCK HEADER ASSEMBLY 180 DEGREE, OPEN ENDS, STACKING W/ INTERLOCK, 5.00mm PITCH	
0 PLC ±-		PRODUCT SPEC 108-20166	SIZE: A2	
1 PLC ±.2		APPLICATION SPEC 114-20079	CAGE CODE: 00779	
2 PLC ±.25		WEIGHT: -	DRAWING NO: 1776142	
3 PLC ±-		RESTRICTED TO: -		
4 PLC ±-		CUSTOMER DRAWING		
ANGLES ±2		SCALE: 5:1		
FINISH		SHEET 1 OF 1		
FINISH		REV 01		