

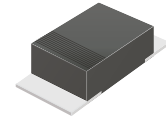
CDBFN140-HF Thru CDBFN160-HF

Voltage: 40 to 60 Volts

Current: 1.0 Amp

RoHS Device

Halogen free

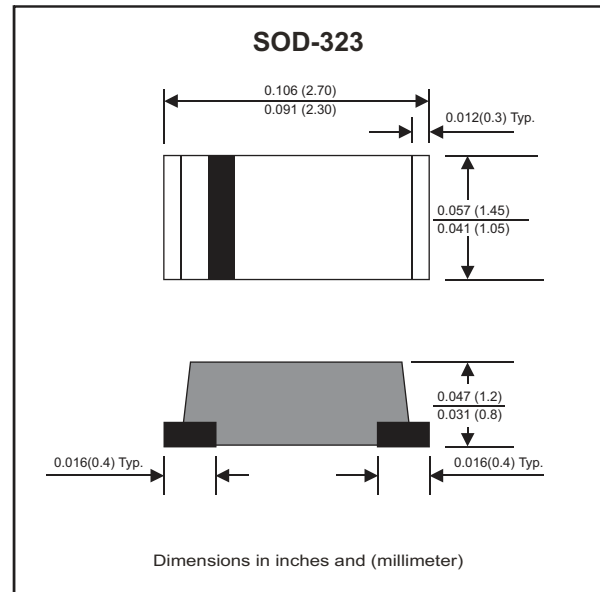


Features

- Batch process design, excellent power dissipation offers better reverse leakage current.
- Low profile surface mounted application in order to optimize board space.
- Low power loss, high efficiency.
- High current capability, low forward voltage drop.
- High surge capability.
- Guard ring for overvoltage protection.
- Very tiny plastic SMD package.
- Ultra high-speed switching.
- Silicon epitaxial planar chip, metal silicon junction.
- Lead-free parts meet environmental standards of MIL-STD-19500 /228

Mechanical data

- Case: JEDEC SOD-323, Molded plastic
- Terminals: Solde plated, solderable per MIL-STD-750, method 2026.
- Polarity: Indicated by cathode band.
- Mounting position: Any
- Weight:0.008 grams(approx.).



Circuit Diagram



Maximum Ratings (at TA=25°C unless otherwise noted)

Parameter	Symbol	CDBFN 140-HF	CDBFN 160-HF	Unit
Repetitive peak reverse voltage	V _{RRM}	40	60	V
Maximum RMS voltage	V _{RMS}	28	42	V
Continuous reverse voltage	V _R	40	60	V
Maximum forward voltage @I _F =1.0A	V _F	0.55	0.70	V
Forward rectified current	I _O	1.0		A
Forward surge current, 8.3ms half sine wave superimposed on rated load (JEDEC method)	I _{FSM}	30		A
Maximum Reverse current	I _R	V _R =V _{RRM} @T _J =25°C	0.5	mA
		V _R =V _{RRM} @T _J =100°C	10	
Typ. Thermal resistance, junction to ambient air	R _{θJA}	90		°C/W
Typ. Diode junction capacitance (Note 1)	C _J	120		pF
Operating junction temperature	T _J	-55 to +125	-55 to +150	°C
Storage temperature	T _{STG}	-65 to +175		°C

Note 1: f=1MHz and applied 4V DC reverse voltage.

Company reserves the right to improve product design , functions and reliability without notice.

REV:D

Ratings and Characteristic Curves(CDBFN140-HF Thru CDBFN160-HF)

Fig.1- Typical Forward Current Derating Curve

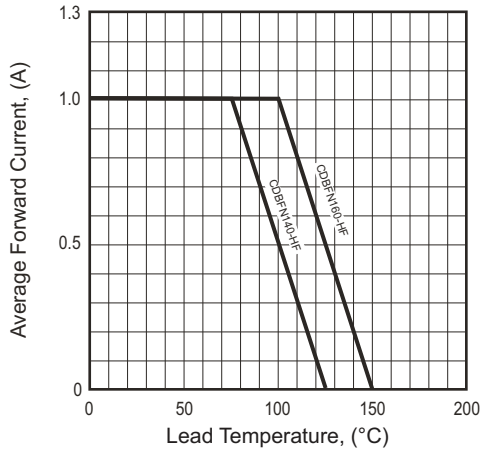


Fig.2- Typical Forward Characteristics

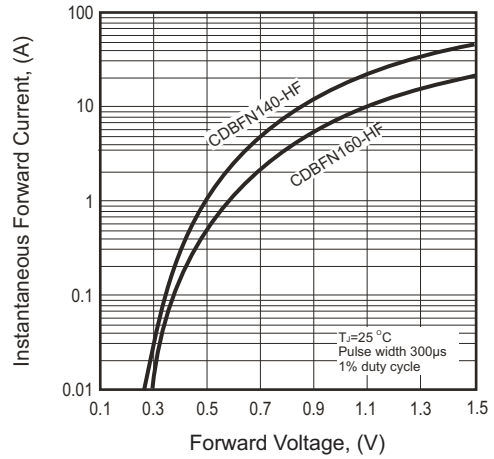


Fig.3 - Maximum Non-repetitive Forward Surge Current

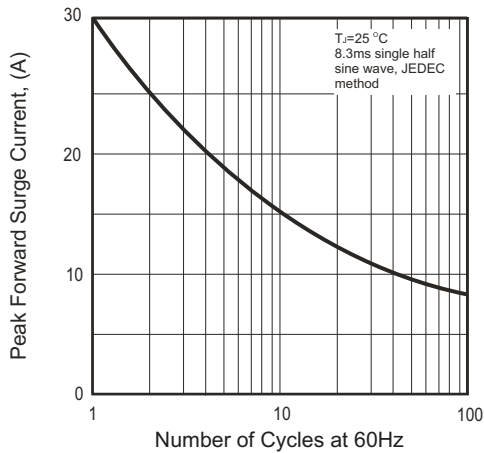


Fig.4 - Typical Junction Capacitance

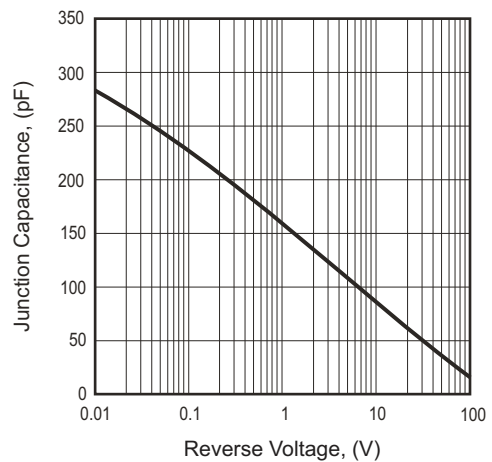
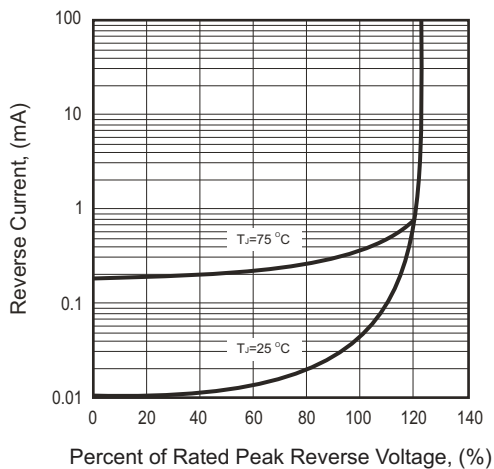
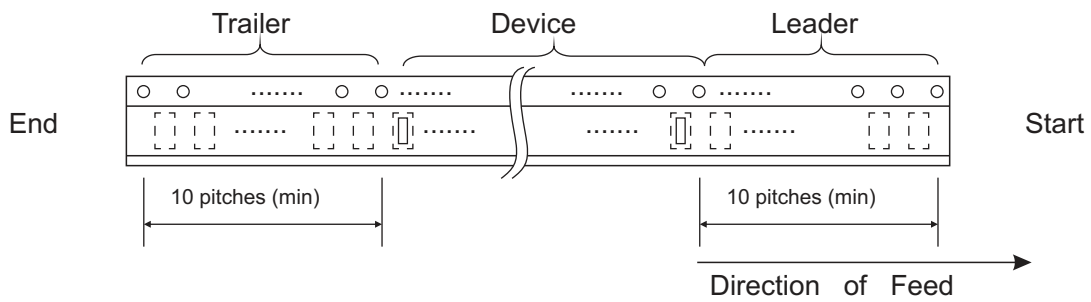
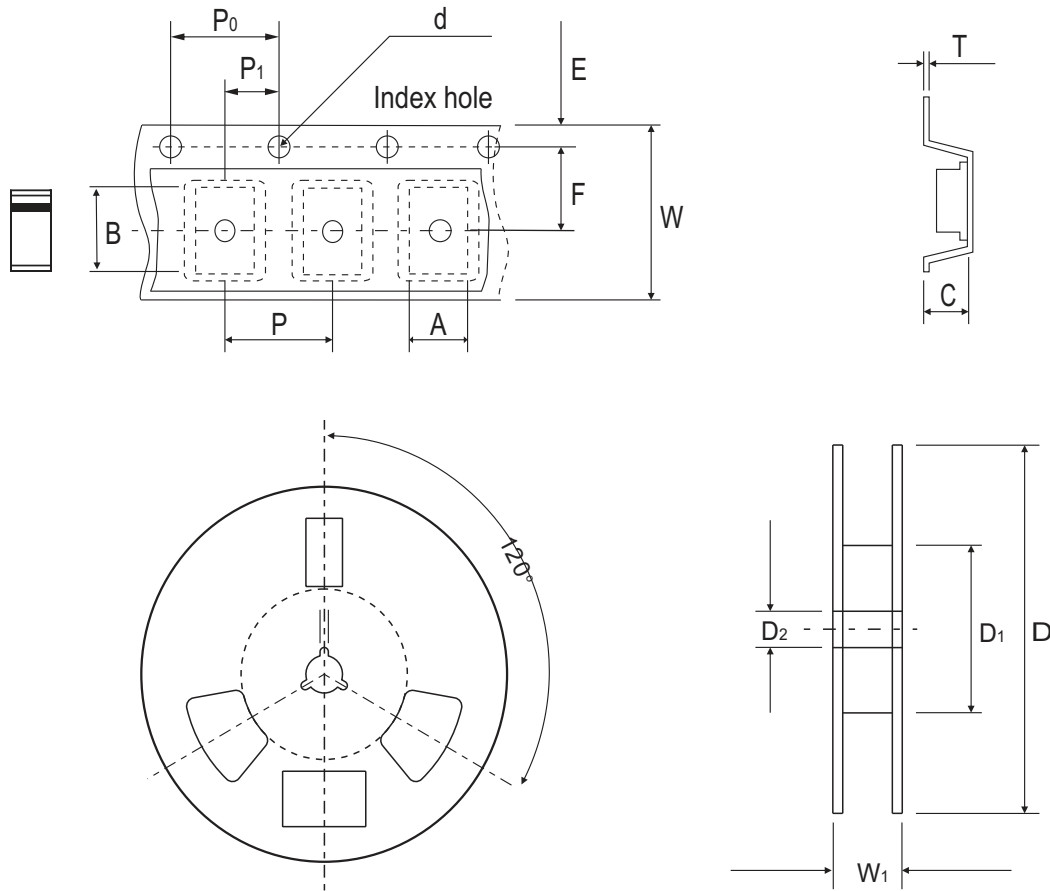


Fig.5- Typical Reverse Characteristics



Company reserves the right to improve product design , functions and reliability without notice.

Reel Taping Specification



SOD-323	SYMBOL	A	B	C	d	D	D1	D2
	(mm)	1.47 ± 0.10	2.95 ± 0.10	1.15 ± 0.10	1.50 ± 0.10	178 ± 2	62.0 MIN.	13.00 ± 0.50
	(inch)	0.058 ± 0.004	0.116 ± 0.004	0.045 ± 0.004	0.059 ± 0.004	7.008 ± 0.079	2.441 MIN.	0.512 ± 0.020

SOD-323	SYMBOL	E	F	P	P0	P1	W	W1
	(mm)	1.75 ± 0.10	3.50 ± 0.10	4.00 ± 0.10	4.00 ± 0.10	2.00 ± 0.10	8.00 ± 0.30	11.4 ± 1.00
	(inch)	0.069 ± 0.004	0.138 ± 0.004	0.157 ± 0.004	0.157 ± 0.004	0.079 ± 0.004	0.315 ± 0.012	0.449 ± 0.039

Company reserves the right to improve product design , functions and reliability without notice.

REV:D

Marking Code

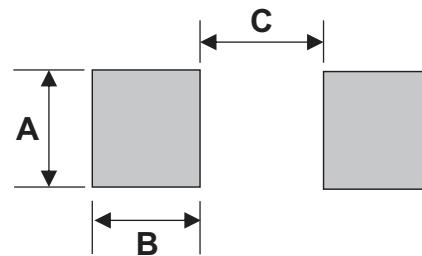
Part Number	Marking Code
CDBFN140-HF	14
CDBFN160-HF	16



XX=Product type marking code

Suggested PAD Layout

SIZE	SOD-323	
	(mm)	(inch)
A	1.50	0.059
B	1.00	0.039
C	1.30	0.051



Standard Packaging

Case Type	Qty per Reel	Reel Size
	(Pcs)	(inch)
SOD-323	3,000	7