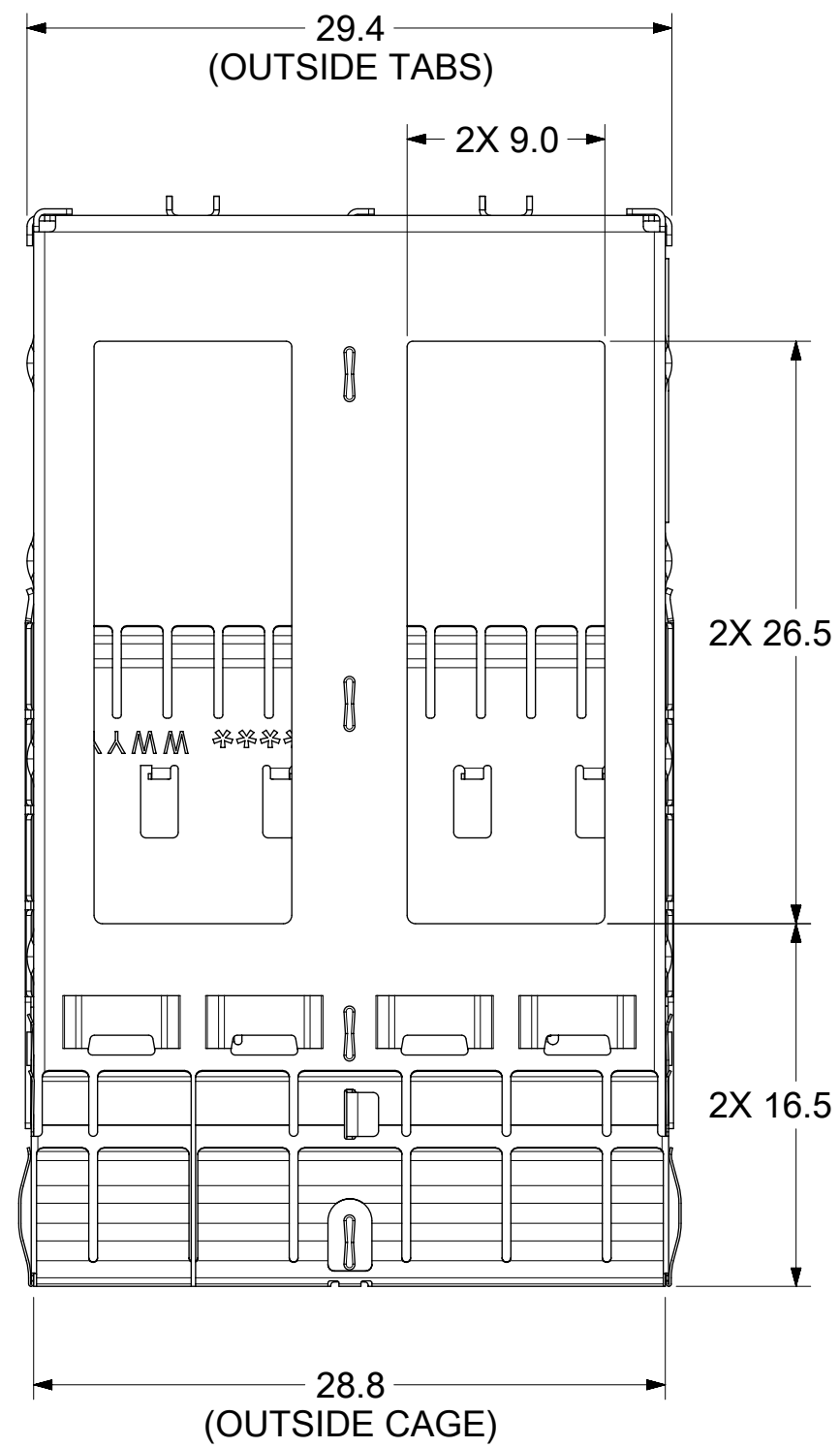


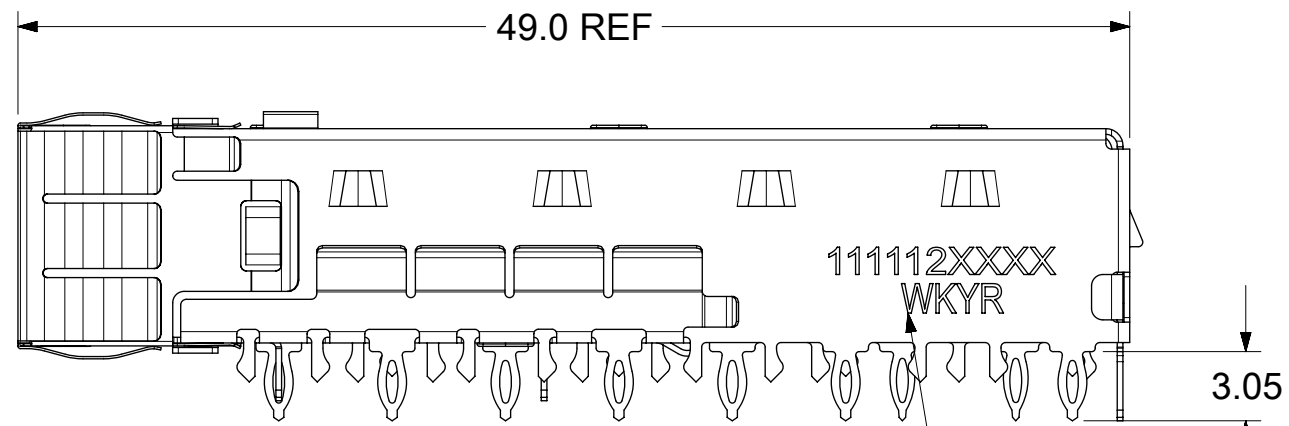
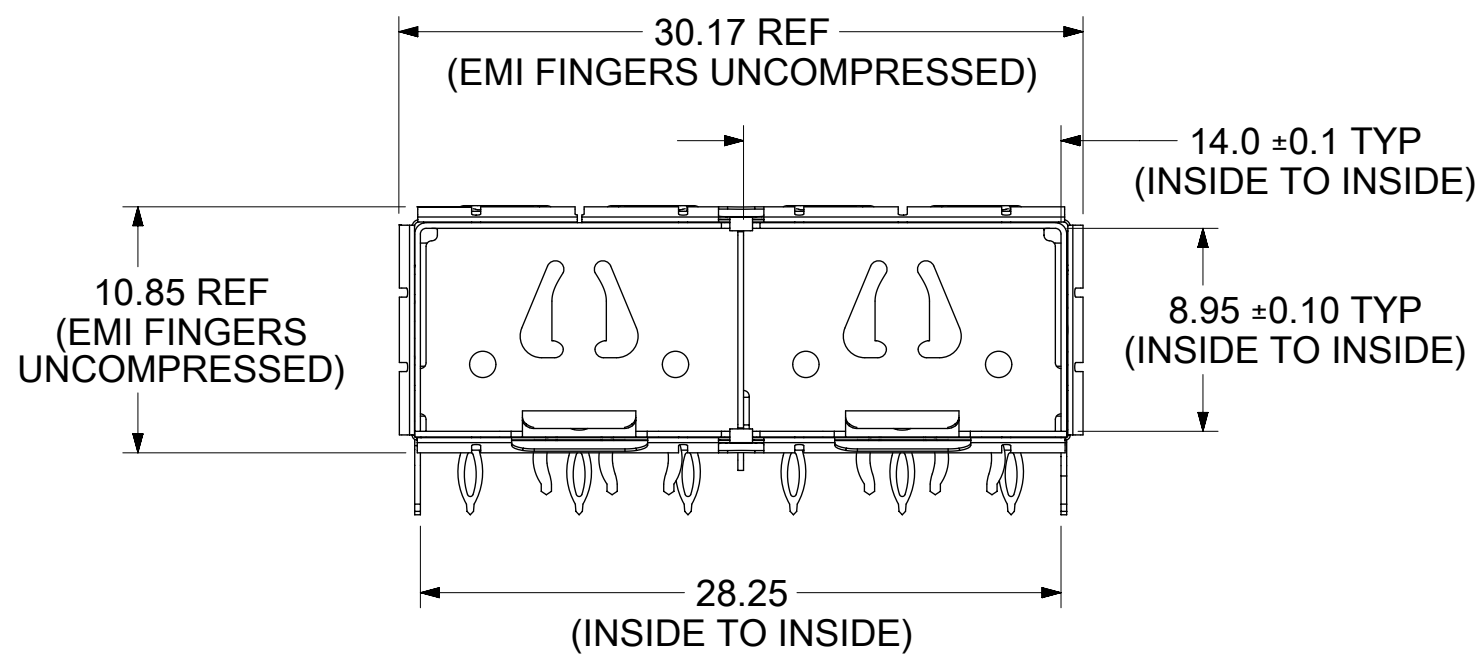
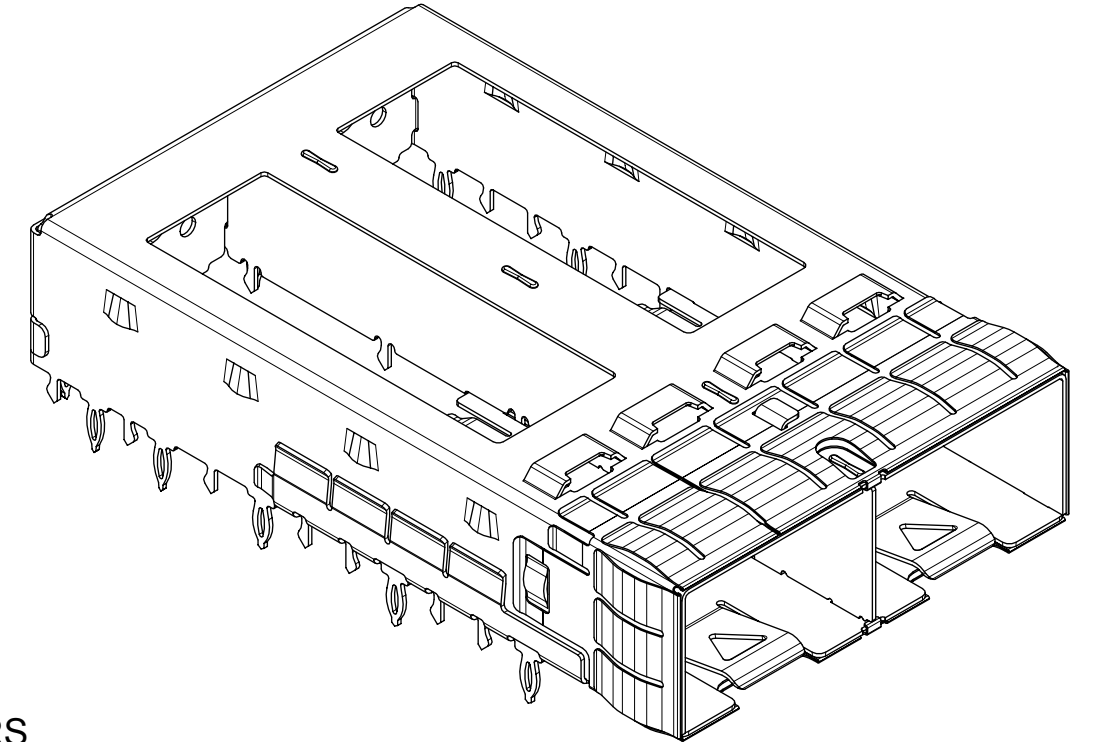
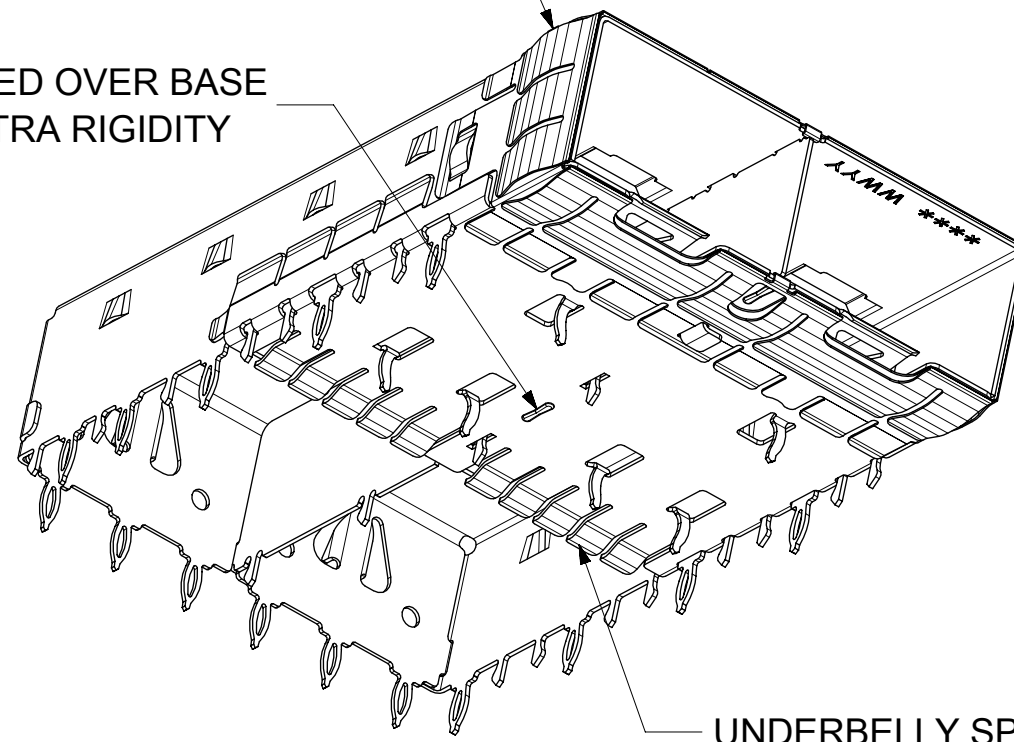
# BASE CAGE DETAILS

1111125840



EMI SPRING FINGERS

INNER WALL IS COINED OVER BASE AND COVER FOR EXTRA RIGIDITY



PART NO. AND WEEK/YEAR DATE CODE TO BE PRINTED ON COMPLETED CAGE ASSEMBLY APPROXIMATELY AS SHOWN. SEE TABLE FOR DATE CODE INFORMATION.

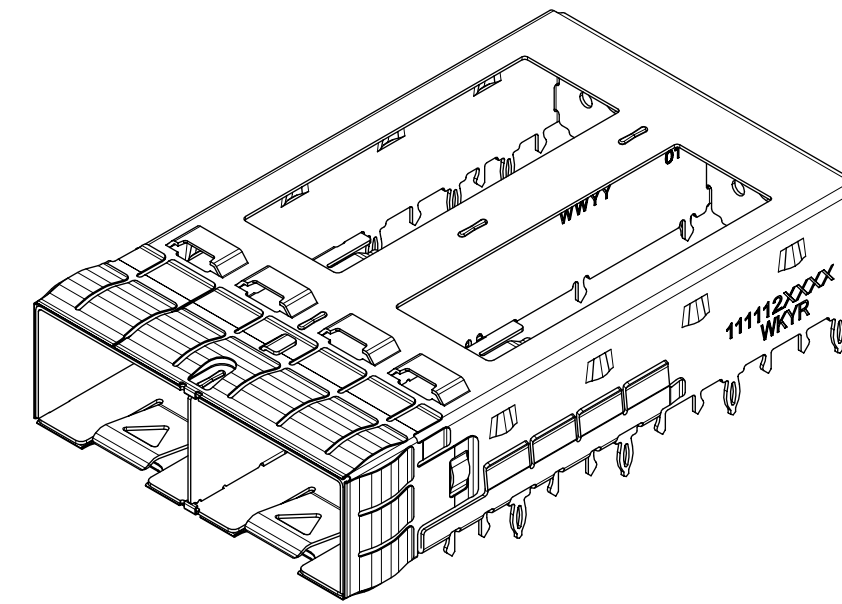
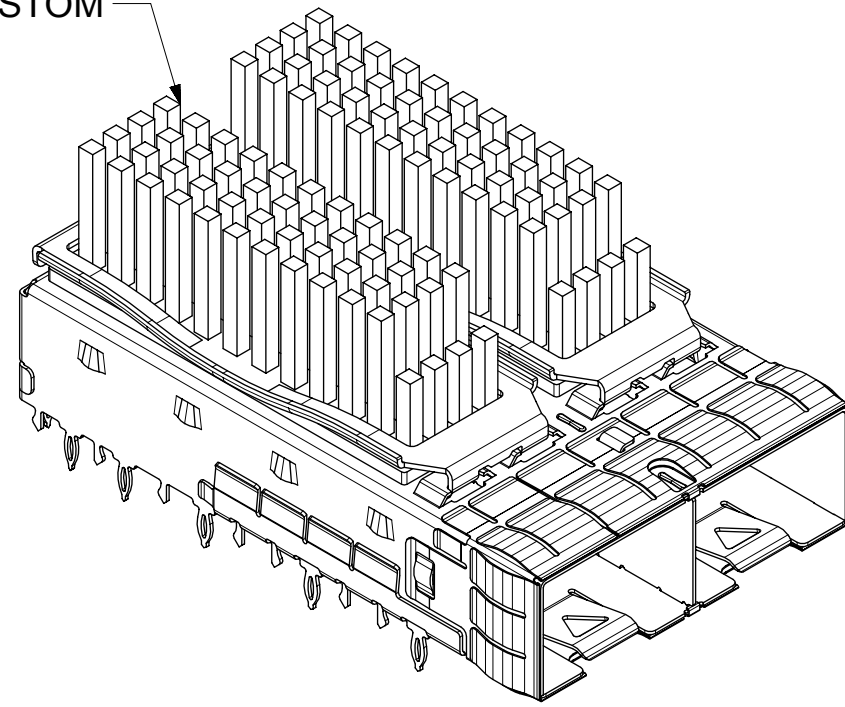
- NOTES:
- MATERIAL:  
CAGE: 0.25mm THICK COPPER ALLOY, NICKEL PLATED.  
SPRING FINGERS: STAINLESS STEEL.  
HEATSINK: ALUMINUM, NICKEL PLATED.  
HEATSINK SPRING CLIP: STAINLESS STEEL.
  - PRESS FIT LEGS 3.05mm LONG:  
1.57mm MINIMUM PCB THICKNESS FOR SINGLE SIDED USE.  
INSERTION FORCE INTO PCI < 100 LBS.
  - PORTS ARE DESIGNED FOR SFP+ TRANSCEIVERS AND ARE COMPATIBLE WITH SFP TRANSCEIVERS. THE TOP SURFACE OF THE MODULE MUST BE FLAT (NO PRODUCT LABEL RECESS) AND THERMALLY CONDUCTIVE TO FUNCTION OPTIMALLY.
  - WELD SPOT WILL SHOW SLIGHT MATERIAL DISCOLORATION.
  - NO RoHS EXEMPTIONS.
  - CUSTOM HEATSINKS AVAILABLE UPON REQUEST.

DATE	WEEK/YEAR DATE CODE TABLE
WK	01 THRU 52, EXAMPLE: 01 = FIRST WEEK OF YEAR, 52 = LAST WEEK OF YEAR
YR	22, 23, 24, ETC. EXAMPLE: YEAR 2022 = 22

FUNCTIONAL SYMBOLS $\nabla_A = 0$ $\nabla_E = 0$ $\nabla_P = 0$	THIS DRAWING CONTAINS INFORMATION THAT IS PROPRIETARY TO MOLEX ELECTRONIC TECHNOLOGIES, LLC AND SHOULD NOT BE USED WITHOUT WRITTEN PERMISSION		CURRENT REV DESC: SEE REVISION TABLE		
	DIMENSION UNITS	SCALE			
	GENERAL TOLERANCES (UNLESS SPECIFIED)				
	ANGULAR TOL ± 0.5°				
DIVISIONAL SYMBOLS 4 PLACES ± 3 PLACES ± 2 PLACES ± 0.15 1 PLACE ± 0.25 0 PLACES ±	mm	3:1			EC NO: 707058 DRWN: ABHILT2 CHK'D: TKUMARKC APPR: SCHIEN INITIAL REVISION: DRWN: ABHILT2 APPR: SCHIEN
			2022/04/13		
			2022/05/24		
			2022/05/27		
DRAFT WHERE APPLICABLE MUST REMAIN WITHIN DIMENSIONS		THIRD ANGLE PROJECTION	DRAWING	SERIES	DOCUMENT NUMBER
			C-SIZE	111112	111128227
					DOC TYPE DOC PART REVISION
					PSD ASY A
					MATERIAL NUMBER CUSTOMER SHEET NUMBER
					SEE SHEET 2 1 OF 5

# CAGE ASSEMBLY OPTIONS

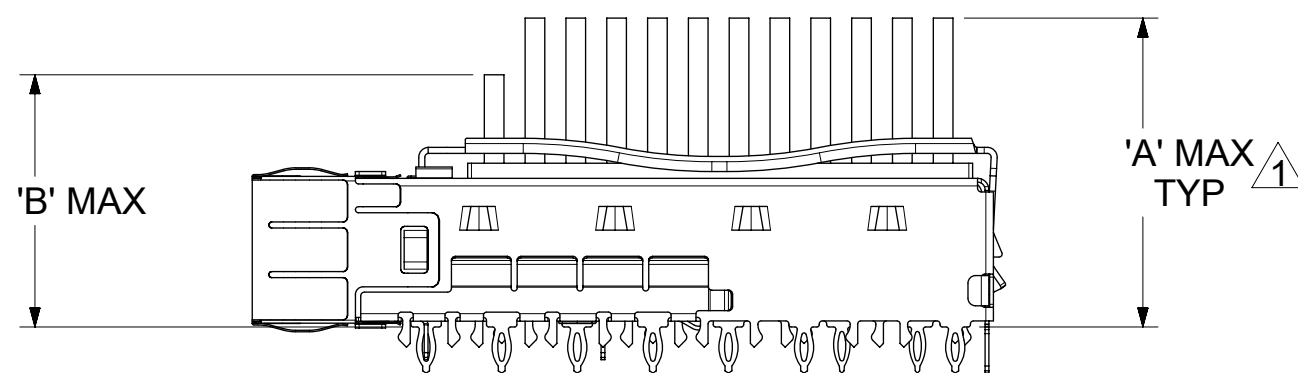
HEATSINK OPTIONS  
(2 PLC)  
CUSTOM



NO HEAT SINK OPTION

PART NO. 111125840

CUSTOM HEATSINK OPTION	HS TYPE	DIM 'A'	DIM 'B'
PART NO. 111128227	CUSTOM	21.6	16.7



HEIGHT OF HEATSINK WITH MODULE INSERTED. DIMENSION MAY BE LESS DUE TO MODULE AND HEATSINK VARIATIONS

FUNCTIONAL SYMBOLS	THIS DRAWING CONTAINS INFORMATION THAT IS PROPRIETARY TO MOLEX ELECTRONIC TECHNOLOGIES, LLC AND SHOULD NOT BE USED WITHOUT WRITTEN PERMISSION						
	DIMENSION UNITS	SCALE	CURRENT REV DESC: SEE REVISION TABLE				
$\frac{F}{A} = 0$	mm	1.5:1	EC NO: 707058 DRWN: ABHILT2 2022/04/13 CHK'D: TKUMARKC 2022/05/24 APPR: SCHIEN 2022/05/27				
$\frac{F}{C} = 0$	GENERAL TOLERANCES (UNLESS SPECIFIED)						
$\frac{F}{P} = 0$	ANGULAR TOL $\pm 0.5^\circ$						
DIVISIONAL SYMBOLS	4 PLACES	$\pm$	INITIAL REVISION: DRWN: ABHILT2 2022/04/13 APPR: SCHIEN 2022/05/27				
	3 PLACES	$\pm$					
	2 PLACES	$\pm 0.15$					
	1 PLACE	$\pm 0.25$					
	0 PLACES	$\pm$					
DRAFT WHERE APPLICABLE MUST REMAIN WITHIN DIMENSIONS		THIRD ANGLE PROJECTION	DRAWING	SERIES	MATERIAL NUMBER	CUSTOMER	SHEET NUMBER
			C-SIZE	111112	SEE SHEET 2		2 OF 5

**molex**

SFP+ 1X2 CAGE ASSY W/ SUS EMI SPRING FINGERS, HEAT SINKS & EXTRA LEGS

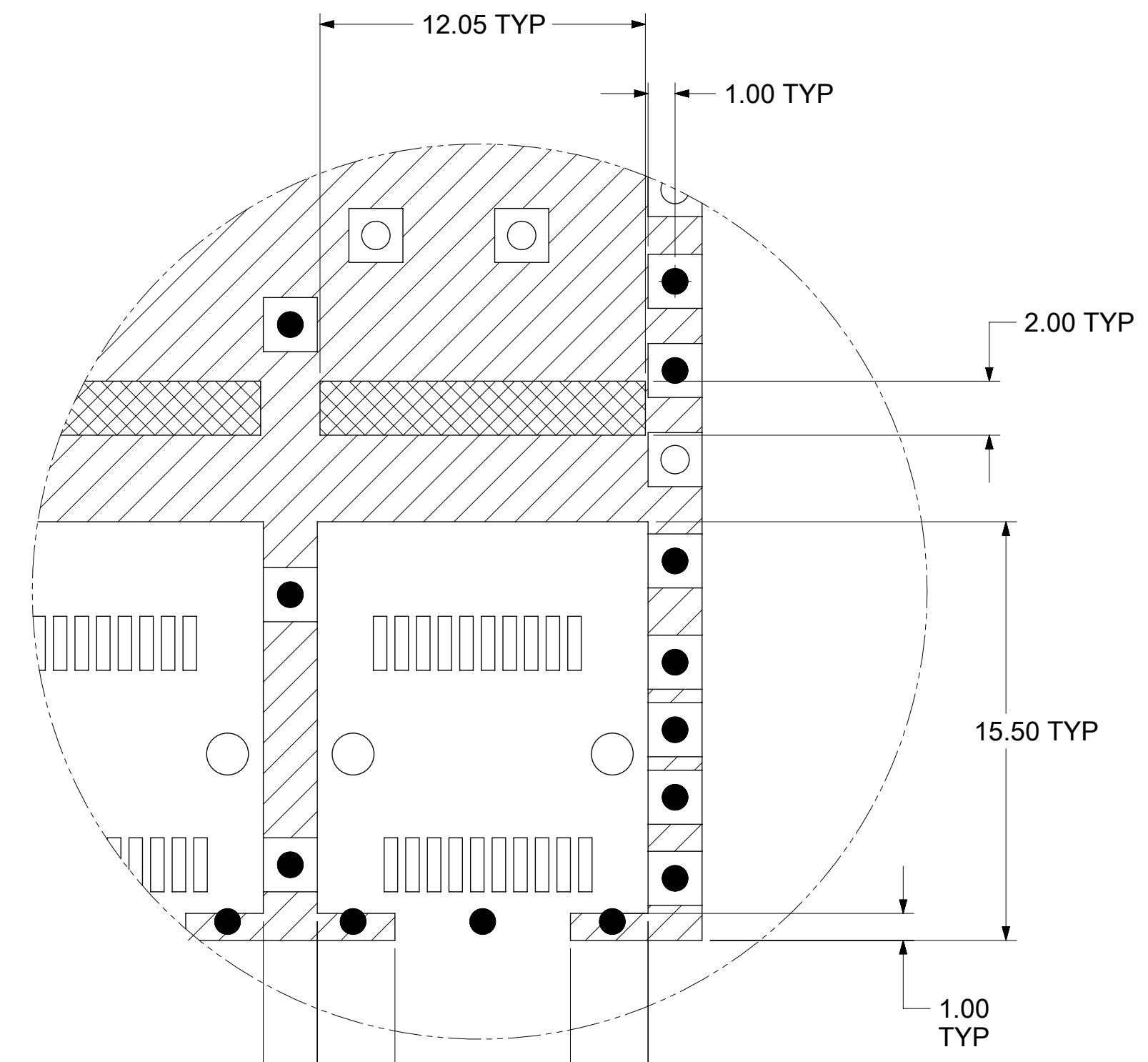
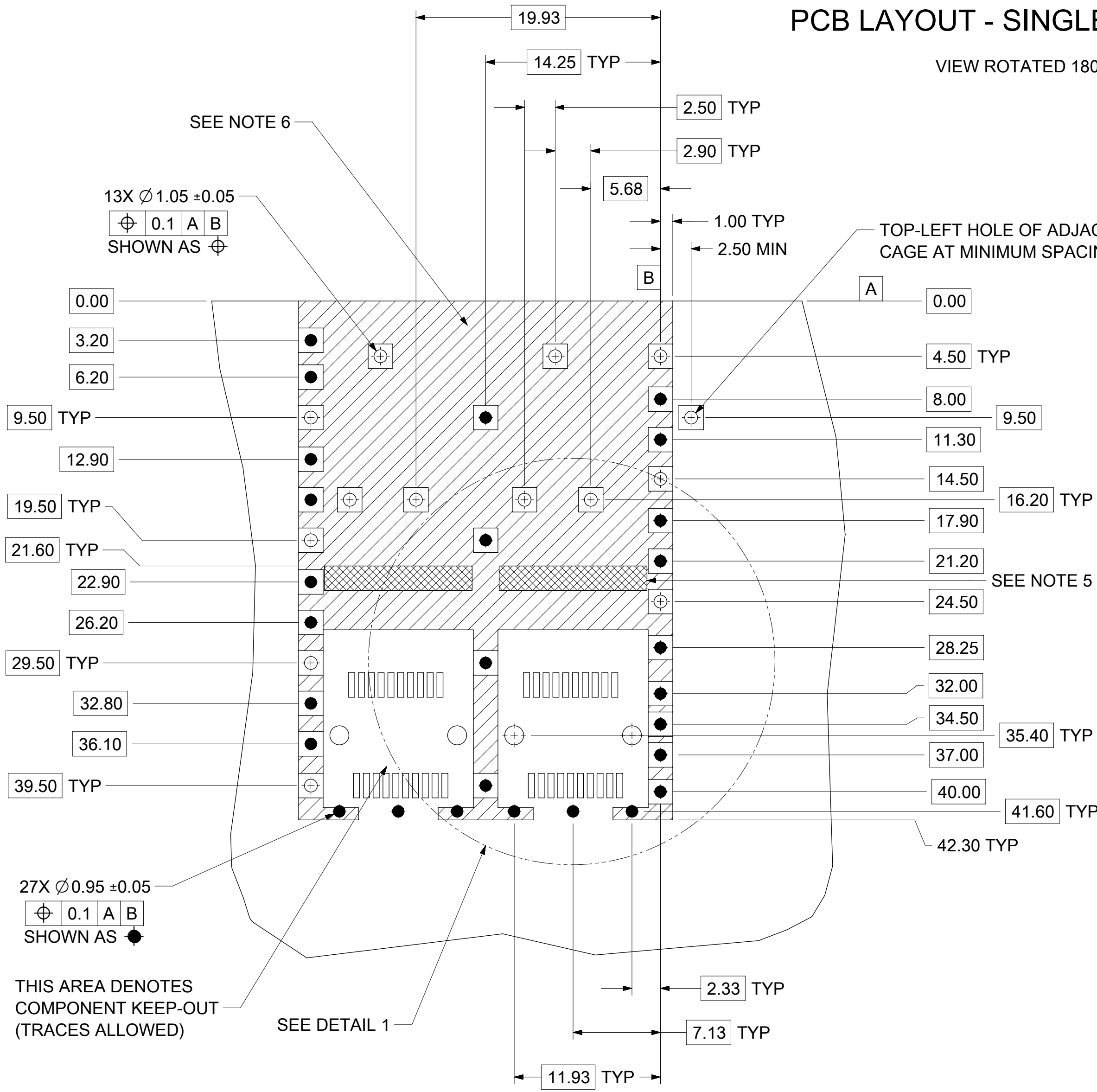
PRODUCT CUSTOMER DRAWING

DOCUMENT NUMBER 111128227

DOC TYPE PSD DOC PART ASY REVISION A

# PCB LAYOUT - SINGLE SIDE ONLY

VIEW ROTATED 180°

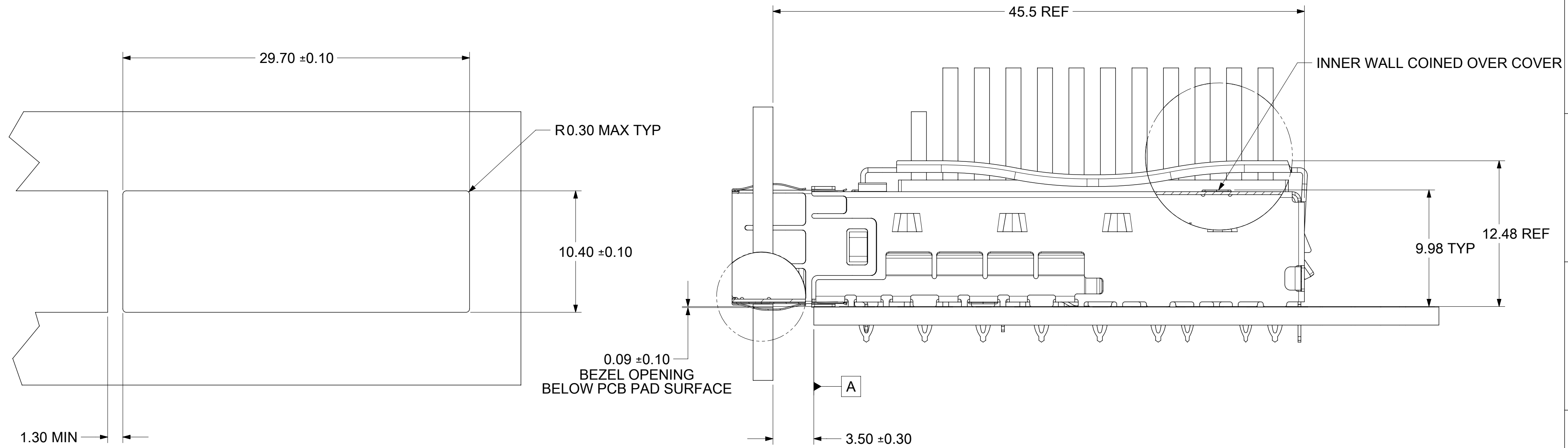


DETAIL 1  
SCALE 5:1  
HOST CONNECTOR DETAIL

- NOTES:
1. PADS AND VIAS CONNECT TO CHASSIS GROUND  
RECOMMEND PADS TO BE 2.00mm SQUARE
  2. RECOMMENDED THRU HOLE PLATING INCLUDES HASL, OSP, OR IMMERSION (GOLD, SILVER, OR TIN)
  3. CONNECTOR PAD LAYOUT PER SFP+ MSA WILL ACCOMODATE MOLEX CONNECTOR SERIES 74441 OR EQUIVALENT.
  4. SPACING BETWEEN PORTS IS 14.25mm
  5. CROSS-HATCHED AREA IS EXPOSED CHASSIS GROUND (NO OSP)
  6. HATCHED AREA IS COMPONENT AND TRACE KEEP-OUT (EXCEPT CHASSIS GROUND)

FUNCTIONAL SYMBOLS	THIS DRAWING CONTAINS INFORMATION THAT IS PROPRIETARY TO MOLEX ELECTRONIC TECHNOLOGIES, LLC AND SHOULD NOT BE USED WITHOUT WRITTEN PERMISSION		CURRENT REV DESC: SEE REVISION TABLE		
	DIMENSION UNITS	SCALE			
$\frac{E}{A} = 0$	mm	3:1			EC NO: 707058 DRWN: ABHILT2 CHK'D: TKUMARKC APPR: SCHIEN
$\frac{E}{C} = 0$	GENERAL TOLERANCES (UNLESS SPECIFIED)				
$\frac{E}{P} = 0$	ANGULAR TOL $\pm 0.5^\circ$				2022/04/13
DIVISIONAL SYMBOLS	4 PLACES	$\pm$			2022/05/24
	3 PLACES	$\pm$			2022/05/27
	2 PLACES	$\pm 0.15$			INITIAL REVISION:
	1 PLACE	$\pm 0.25$			DRWN: ABHILT2
0 PLACES	$\pm$			APPR: SCHIEN	
DRAFT WHERE APPLICABLE MUST REMAIN WITHIN DIMENSIONS		THIRD ANGLE PROJECTION	DRAWING	SERIES	MATERIAL NUMBER
			C-SIZE	111112	SEE SHEET 2
DOCUMENT STATUS		P1	RELEASE DATE	2022/05/27 09:56:14	DOCUMENT NUMBER
					111128227
					DOC TYPE
					PSD
					DOC PART
					ASY
					REVISION
					A
					SHEET NUMBER
					3 OF 5

# BEZEL AND BOARD POSITION DIMENSIONS FOR SINGLE SIDE MOUNTING (SPRING FINGER)



**NOTE:**  
1. PCB THICKNESS VARIATION MUST BE CONSIDERED WHEN DETERMINING BEZEL OPENING SIZE AND LOCATION.

<b>FUNCTIONAL SYMBOLS</b>	THIS DRAWING CONTAINS INFORMATION THAT IS PROPRIETARY TO MOLEX ELECTRONIC TECHNOLOGIES, LLC AND SHOULD NOT BE USED WITHOUT WRITTEN PERMISSION										
$\frac{F}{A} = 0$	DIMENSION UNITS	SCALE	CURRENT REV DESC: SEE REVISION TABLE							<h1 style="margin: 0;">molex</h1>	
$\frac{F}{C} = 0$	mm	4:1	GENERAL TOLERANCES (UNLESS SPECIFIED)								
$\frac{F}{P} = 0$	ANGULAR TOL ± 0.5°		4 PLACES ±		EC NO: 707058		2022/04/13		PRODUCT CUSTOMER DRAWING		
DIVISIONAL SYMBOLS			3 PLACES ±		DRWN: ABHILT2		2022/05/24				DOCUMENT NUMBER
			2 PLACES ± 0.15		CHK'D: TKUMARKC		2022/05/27		111128227		
			1 PLACE ± 0.25		APPR: SCHIEN		2022/05/27				PSD ASY A
			0 PLACES ±		INITIAL REVISION:		2022/04/13		MATERIAL NUMBER		
					DRWN: ABHILT2		2022/05/27				CUSTOMER
					APPR: SCHIEN		2022/05/27		SHEET NUMBER		
			DRAFT WHERE APPLICABLE MUST REMAIN WITHIN DIMENSIONS		THIRD ANGLE PROJECTION		DRAWING				SERIES
					C-SIZE		111112		SEE SHEET 2		
									4 OF 5		

H  
G  
F  
E  
D  
C  
B  
A

REV	DATE	DESCRIPTION
A	2022/05/24	INITIAL RELEASE

FUNCTIONAL SYMBOLS $\nabla_A = 0$ $\nabla_C = 0$ $\nabla_P = 0$ DIVISIONAL SYMBOLS 3 PLACES $\pm$ 2 PLACES $\pm 0.15$ 1 PLACE $\pm 0.25$ 0 PLACES $\pm$	THIS DRAWING CONTAINS INFORMATION THAT IS PROPRIETARY TO MOLEX ELECTRONIC TECHNOLOGIES, LLC AND SHOULD NOT BE USED WITHOUT WRITTEN PERMISSION			
	DIMENSION UNITS	SCALE	CURRENT REV DESC: SEE REVISION TABLE	
	mm	1:1	EC NO: 707058	
	GENERAL TOLERANCES (UNLESS SPECIFIED)		DRWN: ABHILT2	2022/04/13
	ANGULAR TOL $\pm 0.5^\circ$	4 PLACES $\pm$	CHK'D: TKUMARKC	2022/05/24
		APPR: SCHIEN	2022/05/27	
		INITIAL REVISION:		
		DRWN: ABHILT2	2022/04/13	
		APPR: SCHIEN	2022/05/27	
DRAFT WHERE APPLICABLE MUST REMAIN WITHIN DIMENSIONS		THIRD ANGLE PROJECTION	DRAWING	SERIES
			C-SIZE	111112
DOCUMENT STATUS		DOCUMENT NUMBER		DOC TYPE
P1	RELEASE DATE	111128227		PSD
2022/05/27 09:56:14		SEE SHEET 2		ASY
		CUSTOMER		REVISION
				A
		SHEET NUMBER		
		5 OF 5		



SFP+ 1X2 CAGE ASSY W/ SUS EMI SPRING FINGERS, HEAT SINKS & EXTRA LEGS

PRODUCT CUSTOMER DRAWING