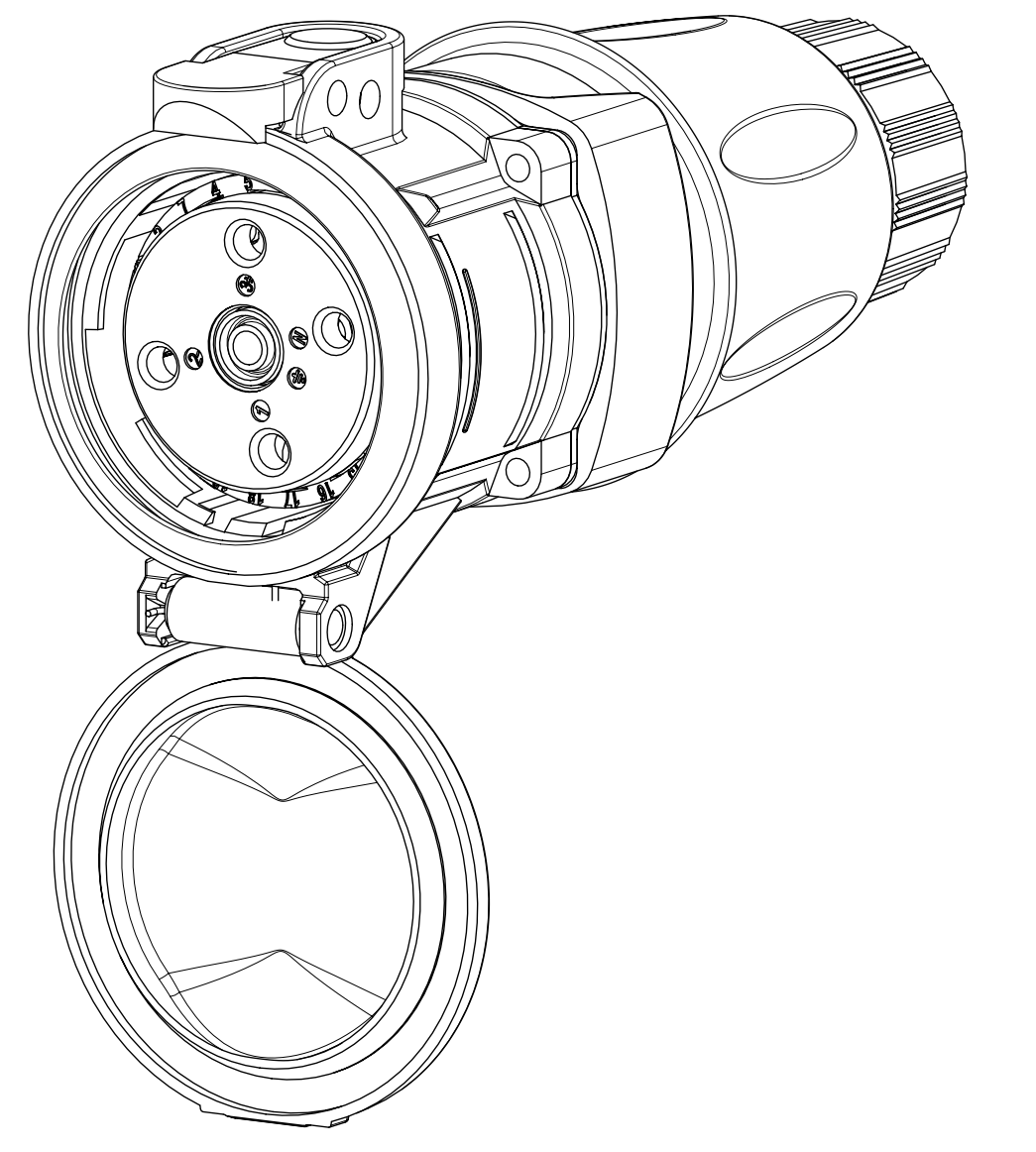
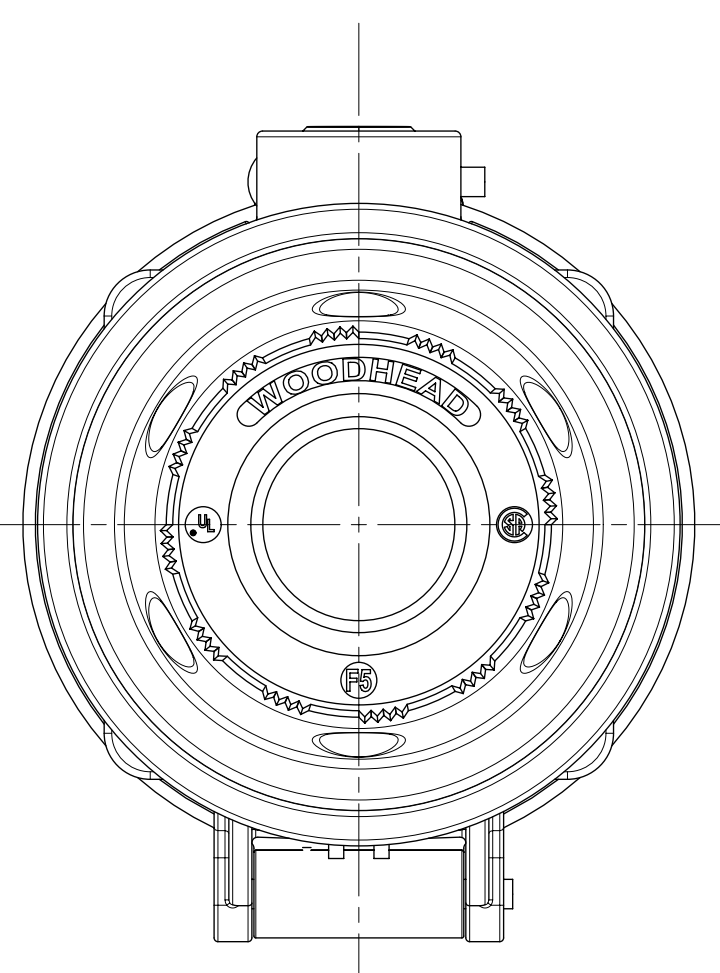
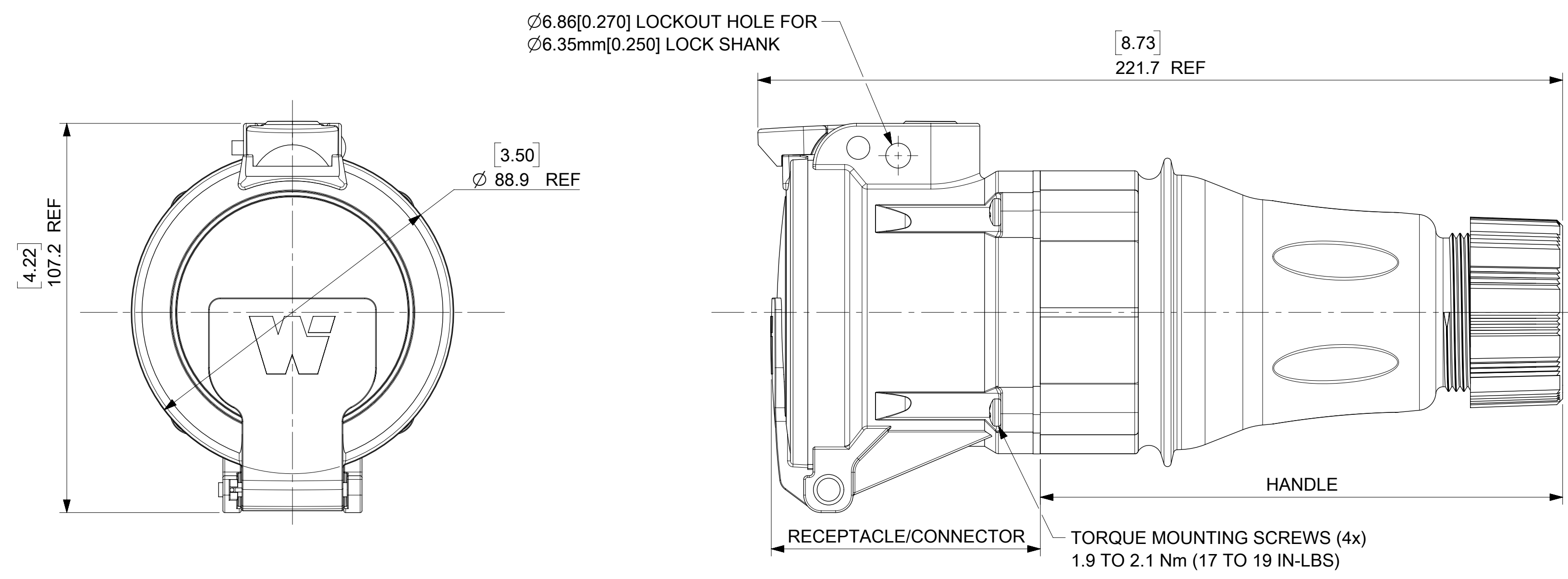
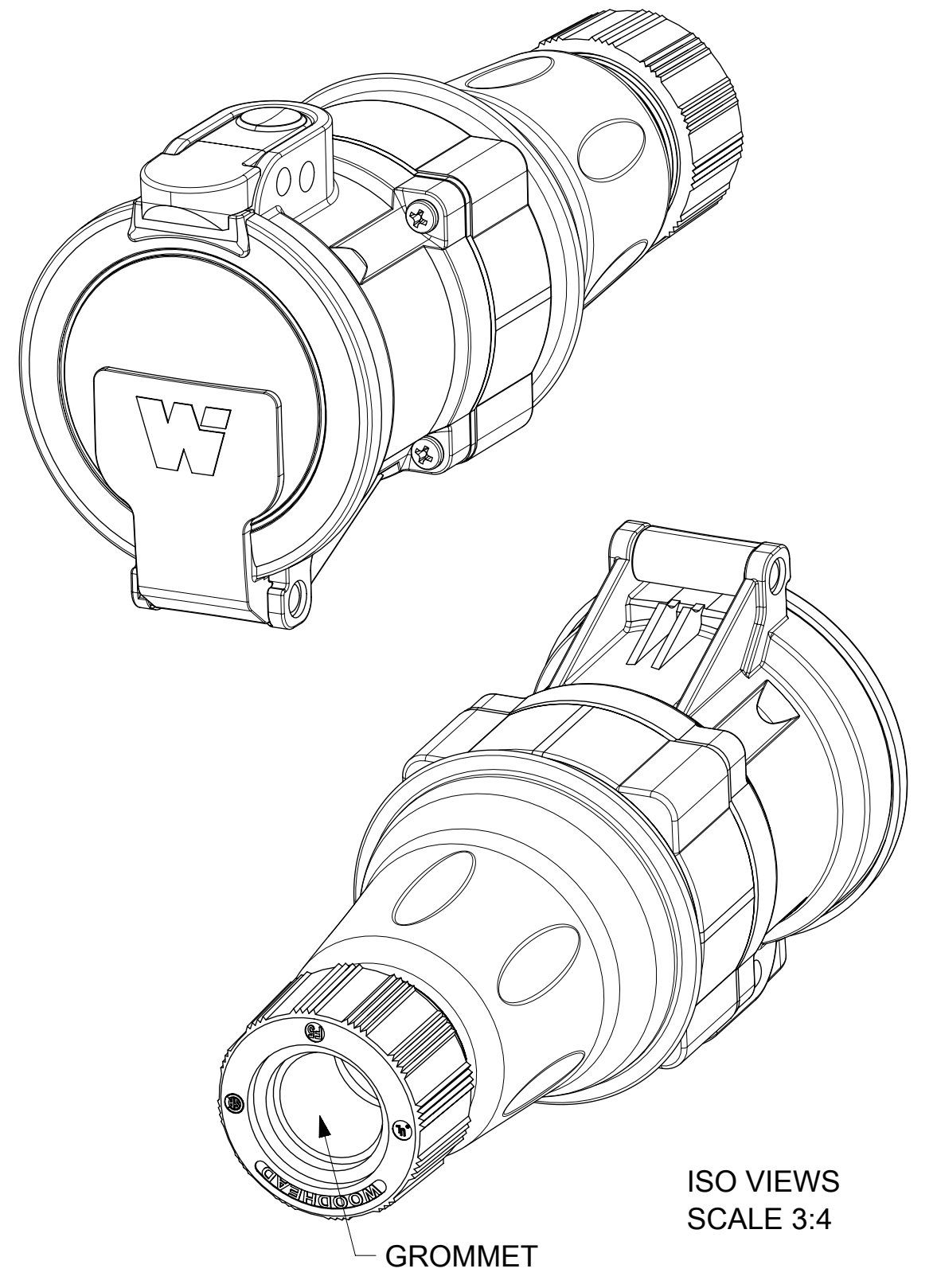
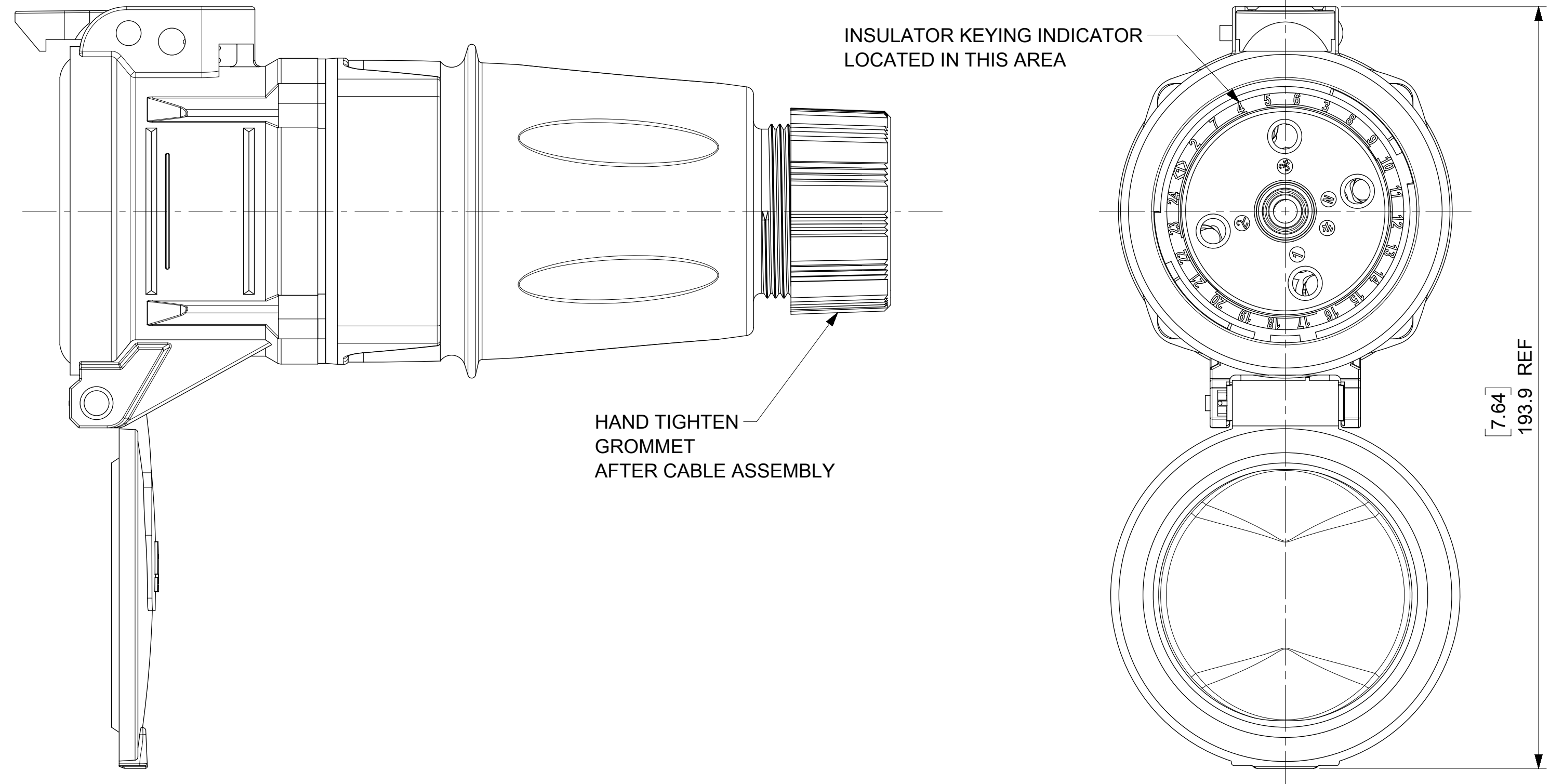


MATERIAL NUMBER	ENGINEERING NUMBER	DESCRIPTION	INSULATOR KEYING POSITION	HORSEPOWER RATING
1122170029	ARC60FHA01	ARC 60A FH 125VAC 1P+N+G	7	2 HP
1122170030	ARC60FHB02	ARC 60A FH 250VAC 2P+G		3 HP
1122170031	ARC60FHB03	ARC 60A FH 250VAC 3P+G		7.5 HP
1122170032	ARC60FHA04	ARC 60A FH 125/250VAC 2P+N+G	16	NA
1122170033	ARC60FHC02	ARC 60A FH 208VAC 2P+G		NA
1122170034	ARC60FHC03	ARC 60A FH 208VAC 3P+G		7.5 HP
1122170035	ARC60FHAC05	ARC 60A FH 120/208VAC 3P+N+G	4	NA
1122170036	ARC60FHD01	ARC 60A FH 277VAC 1P+N+G		NA
1122170037	ARC60FHE02	ARC 60A FH 480VAC 2P+G		NA
1122170038	ARC60FHE03	ARC 60A FH 480VAC 3P+G		20 HP
1122170039	ARC60FHDE05	ARC 60A FH 277/480VAC 3P+N+G	14	NA
1122170040	ARC60FHF02	ARC 60A FH 600VAC 2P+G		NA
1122170041	ARC60FHF03	ARC 60A FH 600VAC 3P+G		20 HP
1122170042	ARC60FHGF05	ARC 60A FH 347/600VAC 3P+N+G		NA



NOTES:

MATERIALS:
HANDLE, HOUSINGS AND INSULATORS: GLASS FILLED PBT
CONTACTS: COPPER ALLOY WITH A SILVER NICKEL TIP, SILVER PLATED
MOUNTING AND INTERFACE GASKETS: SILICONE
GROMMET - RUBBER
FRICTION RING - NATURAL POLYETHYLENE
COMPRESSION NUT - BLACK PBT
SELF TAPPING SCREWS - STAINLESS STEEL

RATINGS:
CURRENT: 60 AMPS
VOLTAGE AND HORSEPOWER: SEE TABLE
AMBIENT OPERATING TEMPERATURE: -25°C (-13°F) TO 60°C (140°F)
(WITH MAX. 30°C RISE ABOVE AMBIENT)
ENVIRONMENTAL: NEMA TYPE 4X & IP69K
WIRING CAPACITY: 10 AWG MIN. TO 4 AWG MAX.
TORQUE TERMINAL SCREWS TO 1.7 Nm (15 in-lbs)
AGENCY: UL LISTING PENDING
SWITCH RATED RECEPTACLE/CONNECTOR
BRANCH CIRCUIT DISCONNECT SWITCH
MOTOR CIRCUIT DISCONNECT SWITCH IF HP RATED

RECEPTACLE/CONNECTOR AND HANDLE ARE PACKAGED SEPARATELY.
END USER ASSEMBLY REQUIRED PER INSTRUCTIONS INCLUDED.

GROMMET P/N	GROMMET COLOR	CABLE DIAMETER RANGE
1301800308	ORANGE	19.05mm-22.25mm(.750"-.875")
1301800309	YELLOW	22.23mm-25.40mm(.875"-1.000")
1301800310	BLACK	25.40mm-28.57mm(1.000"-1.125")

THIS DRAWING CONTAINS INFORMATION THAT IS PROPRIETARY TO MOLEX ELECTRONIC TECHNOLOGIES, LLC AND SHOULD NOT BE USED WITHOUT WRITTEN PERMISSION

DIMENSION UNITS	SCALE	CURRENT REV DESC: GENERAL MARKET RELEASE	
MM/INCH	1:1		
GENERAL TOLERANCES (UNLESS SPECIFIED)			
	MM	INCH	
4 PLACES	±	±	
3 PLACES	±	± 0.01	
2 PLACES	±	± 0.25	± 0.02
1 PLACE	±	± 0.5	± 0.04
0 PLACES	±	± 1.0	±
ANGULAR TOL	±	± 3.0 °	
DRAFT WHERE APPLICABLE MUST REMAIN WITHIN DIMENSIONS	THIRD ANGLE PROJECTION	DRAWING	SHEET NUMBER
		D-SIZE	112217
MATERIAL NUMBER		CUSTOMER	SHEET NUMBER
1122170038		GENERAL MARKET	1 OF 1

molex

60A ARC ARREST CONN KIT HANDLE W/O DPLAT

PRODUCT CUSTOMER DRAWING

DOCUMENT NUMBER: 1122170038
DOC TYPE: PSD
DOC PART: 000
REVISION: A2