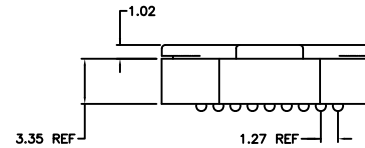
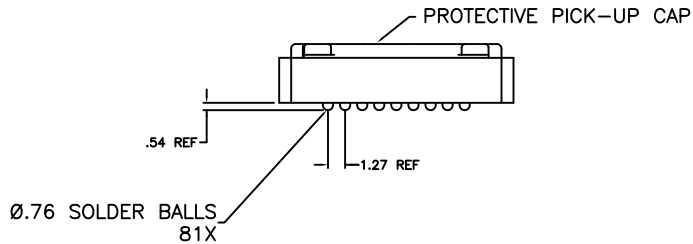
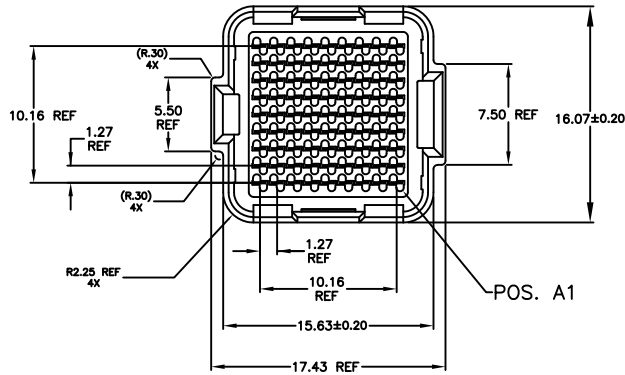


PRODUCT No.  
SEE SHEET 2



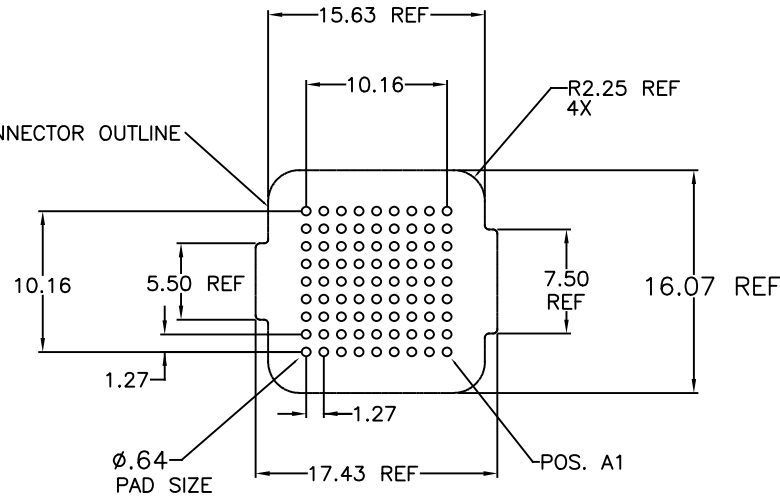
NOTES:

- ① **MAT'L**  
HOUSING: LCP  
CONTACT: COPPER ALLOY  
  
**PLATING**  
CONTACT: (SEE TABLE ON SHEET 2)  
SOLDER BALL: (SEE TABLE ON SHEET 2)  
EUTECTIC SnPb OR LEAD FREE  
95.5Sn/4Ag/0.5Cu
2. OVERALL BOARD-TO-BOARD STACK HEIGHT WHEN MATED TO P/N 55715  
81 POSITION 4.0mm RECPT. IS 4.0mm REF.
3. PLATING FOR -2XX SERIES DASH NOS. MEETS THE REQUIREMENTS OF CENTRAL OFFICE ENVIRONMENT, (25 YEAR LIFE EXPECTANCY).
- ④ FOR PROPER APPLICATION FOLLOW FCI APPLICATION SPECIFICATION GS-20-033 LEAD FREE SOLDER BALLS WILL NOT SOLDER PROPERLY IN A LEADED SOLDER PROCESS DUE TO A HIGHER REFLOW TEMPERATURE. LEAD FREE PRODUCT IS THEREFORE NOT BACKWARDS COMPATIBLE WITH LEADED OR SOME SOLDERING APPLICATIONS. REFERENCE FCI APPLICATION SPECIFICATION
- ⑤ THIS PRODUCT MEETS EUROPEAN UNION DIRECTIVES AND OTHER COUNTRY REGULATIONS AS DESCRIBED IN GS-22-008 PRODUCT MEETING THIS DIRECTIVE IS IDENTIFIED IN THE LOT CODE NUMBER MARKED ON EACH PART BY HAVING AN "X" IN THE SEVENTH CHARACTER POSITION

mat'l. code		surface		tolerance		projection		product family	
-		ASMEY14.5		ASMEY14.5				MEG-ARRAY	
lfr		ecn no		dr		date		title	
B		V20949		DAI		2002-08-15		OMM-PLUG-ASSY.	
C		V03-0678		DAI		2003-06-18		9X9=81-POSITION	
D		V04-0940		VS		2004-10-09			
E		V06-0560		LP		2006-07-14		scale 2:1 	
F		V12-0040		DCH		2012-11-14		sheet 1 of 3 size 55714 A4	
G		V-39628		HCL		2021-01-13		type CUSTOMER Drawing	
H		V-39821		HCL		2021-01-27			
sheet		revision		H		H		H	
index		sheet		1		2		3	

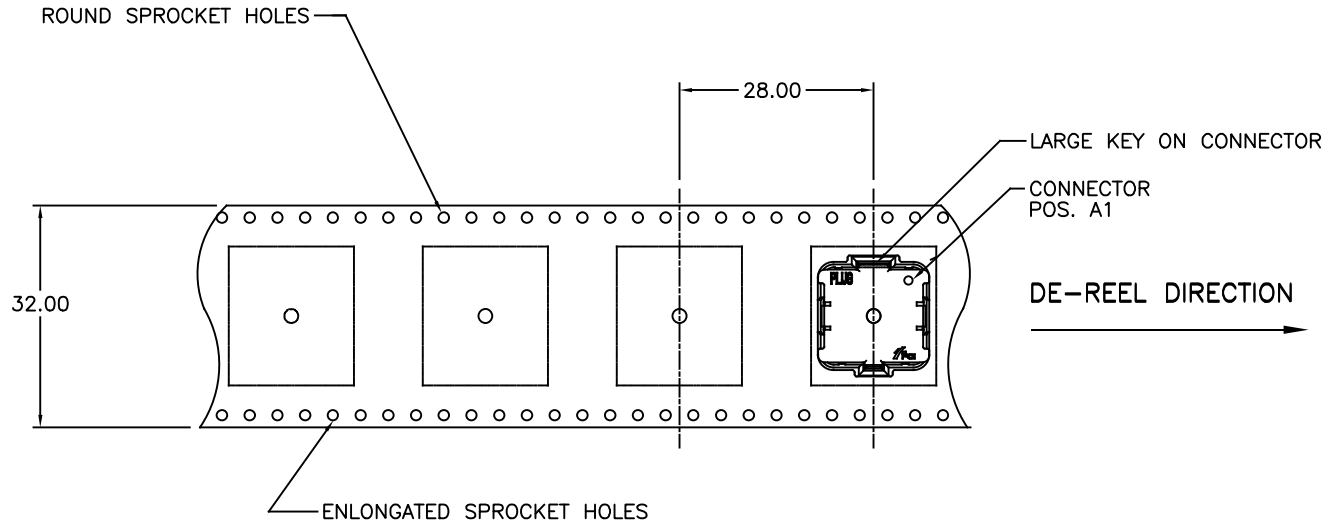
PRODUCT No.	PICK-UP CAP	CONTACT PLATING	SOLDER BALL
55714-002	YES	15u" (.38um) Au OVER Ni	SnPb
55714-002LF			SnAgCu LEAD FREE, NOTE 5
55714-092	YES	15u" (.38um) GXT OVER Ni	SnPb
55714-092LF			SnAgCu LEAD FREE, NOTE 5
55714-102	YES	30u" (.76um) Au OVER Ni	SnPb
55714-102LF			SnAgCu LEAD FREE, NOTE 5
55714-192	YES	30u" (.76um) GXT OVER Ni	SnPb
55714-192LF			SnAgCu LEAD FREE, NOTE 5
55714-202	YES	SPECIAL Au PLATING, SEE NOTE 3	SnPb, NOTE 3
55714-202LF			SnAgCu LEAD FREE, NOTES 3 AND 5
55714-292	YES	SPECIAL GXT PLATING, SEE NOTE 3	SnPb, NOTE 3
55714-292LF			SnAgCu LEAD FREE, NOTES 3 AND 5

STENCIL MATED CONNECTOR OUTLINE ONTO BOARD.



BOARD PATTERN

mat'l. code		surface ASMEY14.5 ✓		tolerance ASMEY14.5		projection		product family MEG-ARRAY	
ltr	ecn no	dr	date	tolerances unless otherwise specified		MM		title	
H				angles	.X±.3	← MM →		OMM-PLUG-ASSY.	
				lines	.XX±.10	scale 2:1		9X9=81-POSITION	
				0'±2"	.XXX±.050			dwg no	
		dr	D.WAUGHEN	4-9-01			sheet 2 of 3		size
		enr	J.KONTOS	4-9-01			55714		A4
		chr	J.KONTOS	4-9-01			Amphenol FCI		
		app	J.KONTOS	4-9-01			type		CUSTOMER Drawing
sheet index	revision sheet								



mat'l. code		-		surface	ASMEY14.5	tolerance	ASMEY14.5	projection	product family		MEG-ARRAY	
ltr	ecn no	dr	date	tolerances unless otherwise specified				 MM	title OMM-PLUG-ASSY. 9X9=81-POSITION			
H				angles	.X±.3	lines	.XX±.10					
				0°±2°	.XXX±.050	dr	D.WAUGHEN	4-9-01	dwg no		sheet 3 of 3	size
				enr	J.KONTOS	4-9-01			55714		A4	
				chr	J.KONTOS	4-9-01			type		CUSTOMER Drawing	
				app	J.KONTOS	4-9-01						
sheet index	revision sheet											