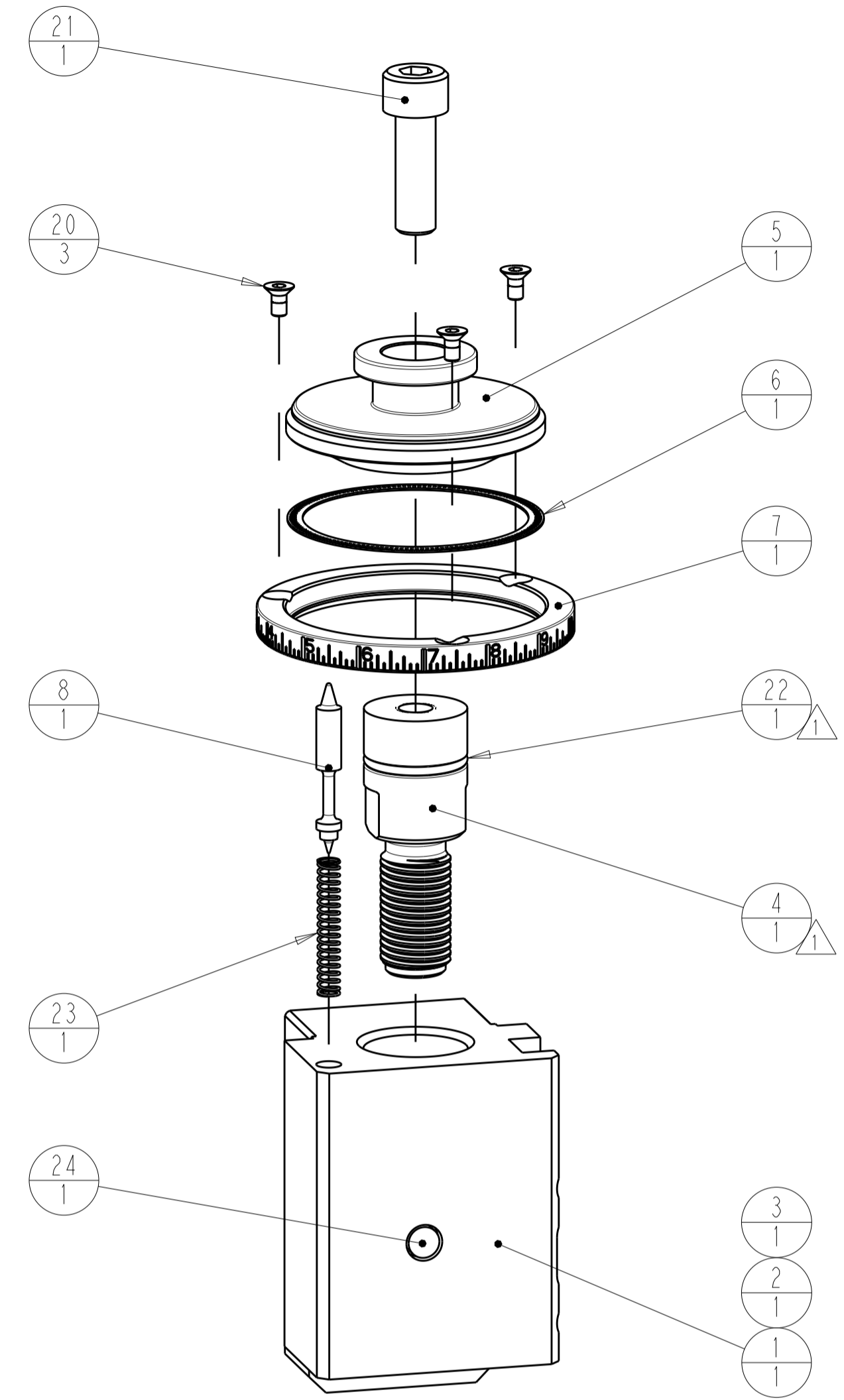
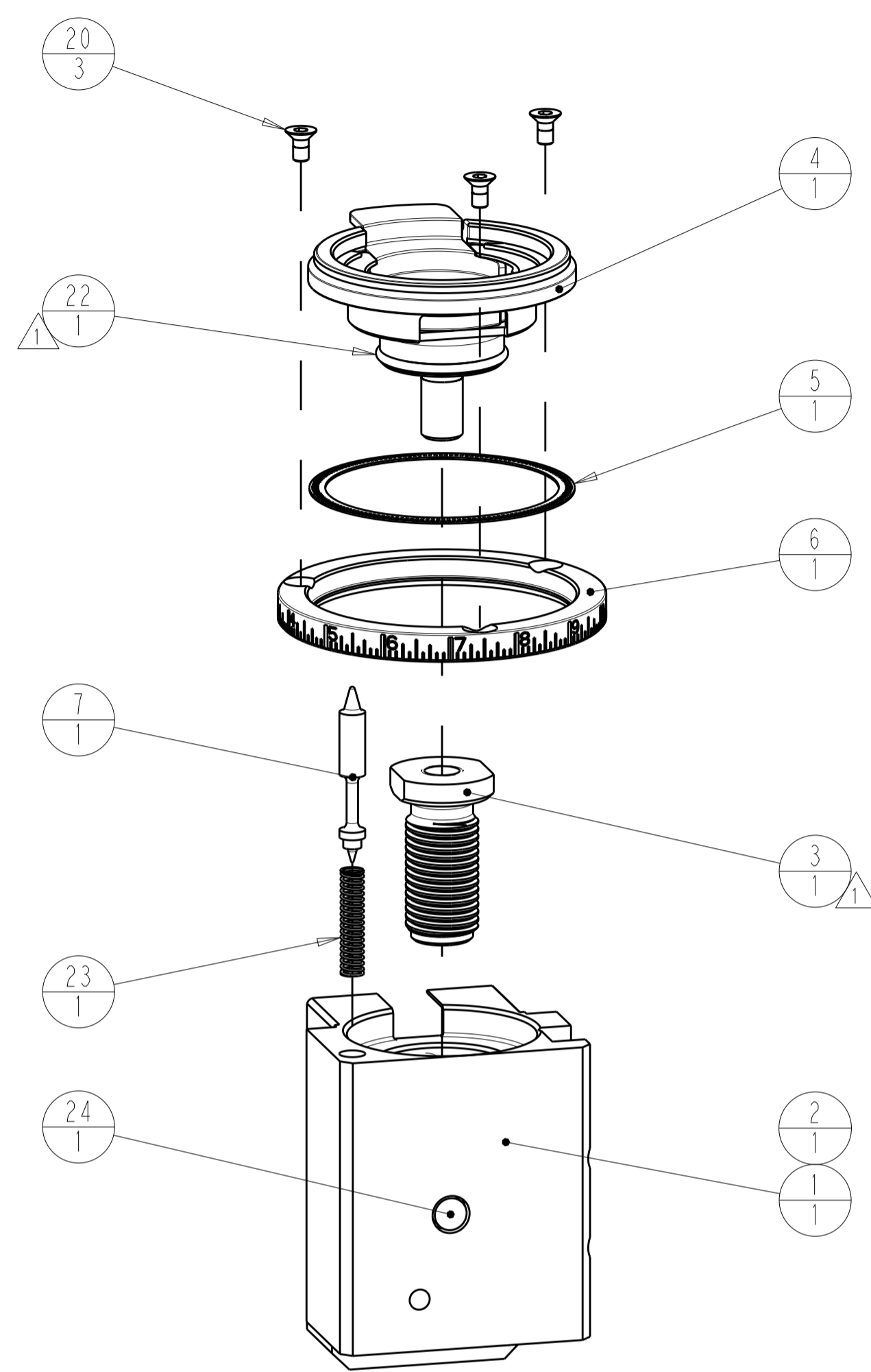


⚠ GREASE THREADS, GROOVE AND O-RING ON ADJUSTMENT BOLT.

REVISIONS				
P.	LTN.	DESCRIPTION	DATE	APVD.
A		ORIGINAL	26OCT2017	DJG JS



AR	AR	--	1-23419-5	SEALANT, LOCTITE #222	50
1	1	-	994969-1	MAGNET, RARE EARTH, HIGH ENERGY	24
1	1	-	2-22279-6	SPRING, COMPRESSION	23
1	1	-	8-21084-1	O-RING, .801 ID, .070 DIA. MAT.	22
3	3	-	1-1655784-6	SCR, FLT SKT HD CAP, M3 X 6	20
1	1	-	2844970-1	DETENT PIN	7
1	1	-	2844968-1	DISC, NUMBERED FA WIRE ADJUSTMENT	6
1	1	-	2844969-1	DETENT PLATE	5
1	1	-	2844980-1	FINE ADJUST HEAD ASM, PACIFIC STYLE	4
1	1	-	2844971-2	BOLT, ADJUSTMENT	3
1	-	-	1803540-1	STEPPED RAM, PACIFIC STYLE, SIDE FEED	2
-	1	-	1803539-1	RAM, PACIFIC STYLE, SIDE FEED	1
-2	-1	U/M	PART NO	DESCRIPTION	ITEM NO
REF: 1803516 (RAM ASSEMBLY, SF PACIFIC)					

AR	AR	AR	--	1-23419-5	SEALANT, LOCTITE #222	50
1	1	1	-	994969-1	MAGNET, RARE EARTH, HIGH ENERGY	24
1	1	1	-	2-22279-6	SPRING, COMPRESSION	23
1	1	1	-	8-21084-0	O-RING, .676 ID, .070 DIA. MAT.	22
1	1	1	-	7-1655316-0	SCR, SKT HD CAP, M8 X 25.0	21
3	3	3	-	1-1655784-6	SCR, FLT SKT HD CAP, M3 X 6	20
1	1	1	-	2844970-1	DETENT PIN	8
1	1	1	-	2844968-1	DISC, NUMBERED FA WIRE ADJUSTMENT	7
1	1	1	-	2844969-1	DETENT PLATE	6
1	1	1	-	2844967-1	FA HEAD, ATLANTIC STYLE	5
1	1	1	-	2844971-1	BOLT, ADJUSTMENT	4
1	-	-	-	1803534-1	RAM, ATLANTIC STYLE, SF, AMPLIVAR	3
-	1	-	-	1803535-1	RAM, STEPPED, ATLANTIC STYLE, SIDE FEED	2
-	-	1	-	1803533-1	RAM, ATLANTIC STYLE, SIDE FEED	1
-3	-2	-1	U/M	PART NO	DESCRIPTION	ITEM NO
REF: 1803515 (RAM ASSEMBLY, SF ATLANTIC)						

THIS DRAWING IS A CONTROLLED DOCUMENT. DWG: D.J.GOOD 06-Nov-17
 CHG: J.STACHURA 06-Nov-17
 APVD: J.STACHURA 06-Nov-17

STE TE Connectivity

NAME: RAM ASSEMBLY, SIDE FEED

PRODUCT SPEC: -
 APPLICATION SPEC: -
 WEIGHT: -
 CUSTOMER DRAWING

SIZE: A1
 CAGE CODE: 1803594
 SCALE: 1:5
 SHEET: 1 OF 1
 REV: A