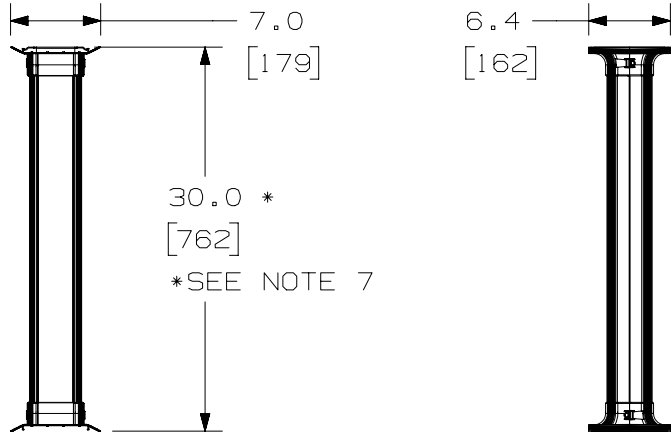


THIS COPY IS PROVIDED ON A RESTRICTED BASIS AND IS NOT TO BE USED IN ANY WAY DETRIMENTAL TO THE INTERESTS OF PANDUIT CORP.

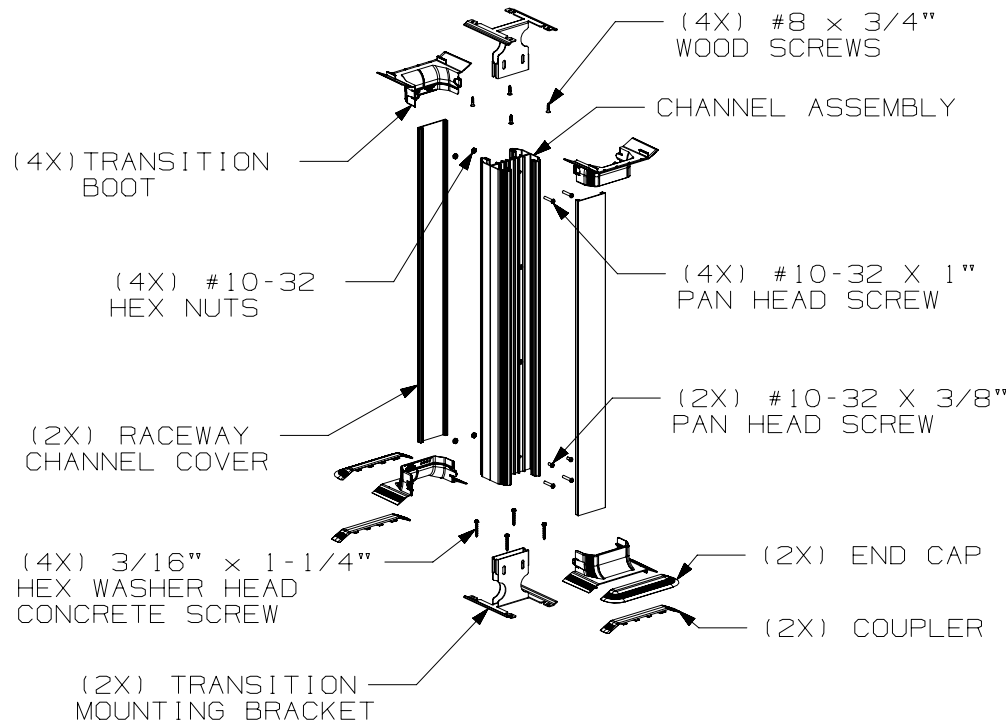


FRONT VIEW
ASSEMBLED CHANNEL

SIDE VIEW
ASSEMBLED CHANNEL

NOTES:

1. VISIT OUR ON-LINE CATALOG AT WWW.PANDUIT.COM FOR A LIST OF CURRENT PARTS APPLICABLE FOR USE WITH THIS PRODUCT.
2. DIMENSIONS IN () ARE METRIC.
3. WEIGHT: 6.00-lb (2.72-kg)
4. PART INCLUDES:
 - 1- TABLE LEG TRANSITION FITTING CHANNEL ASSEMBLY
 - 2- T70 RACEWAY COVERS CUT TO LENGTH
 - 4- TABLE LEG TRANSITION FITTING BOOTS
 - 2- TABLE LEG TRANSITION FITTING MOUNTING BRACKETS
 - 2- ABOVE FLOOR RACEWAY COUPLERS
 - 2- ABOVE FLOOR RACEWAY END CAPS
 - 4- #8 X 3/4" WOOD SCREWS
 - 4- 3/16" X 1-1/4" HEX WASHER HEAD CONCRETE SCREW
 - 4- #10-32 X 1" PAN HEAD SCREWS
 - 2- #10-32 X 3/8" PAN HEAD SCREWS
 - 4- #10-32 HEX NUTS
5. RoHS COMPLIANT, UL94V-0 MATERIAL
6. THIS PRODUCT CAN BE USED WITH PANDUIT TYPE AFR4 RACEWAY
7. MAXIMUM OVERALL HEIGHT IS 30.0 INCHES; CUSTOMER CAN ADJUST TO SMALLER HEIGHTS AS NEEDED.



**	COLOR
IW	OFF-WHITE
BL	BLACK
OS	OFFICE SLATE

PART NUMBER		AFR4TBLG**	
TITLE		ABOVE FLOOR RACEWAY 4-CHANNEL TABLE LEG TRANSITION FITTING	
		CUSTOMER DRAWING	
ITEM REVISION NAME		00234EAB/00	
DATASET FILE NAME		00234EAB_DC/00A	
MATERIAL		PVC	
DRAWING NUMBER		00234EAB-DC	
THIRD ANGLE PROJECTION			
00A	12-28-18	ROJC	BSN
MINO	RELEASED TO PRODUCTION		00234EAB-DC
REV	DATE	BY	CHK
APR	DESCRIPTION		ECN
ROJC	12-28-18	BSN	NONE
SHEET 1 OF 1		A	

A-SIZE CUSTOMER