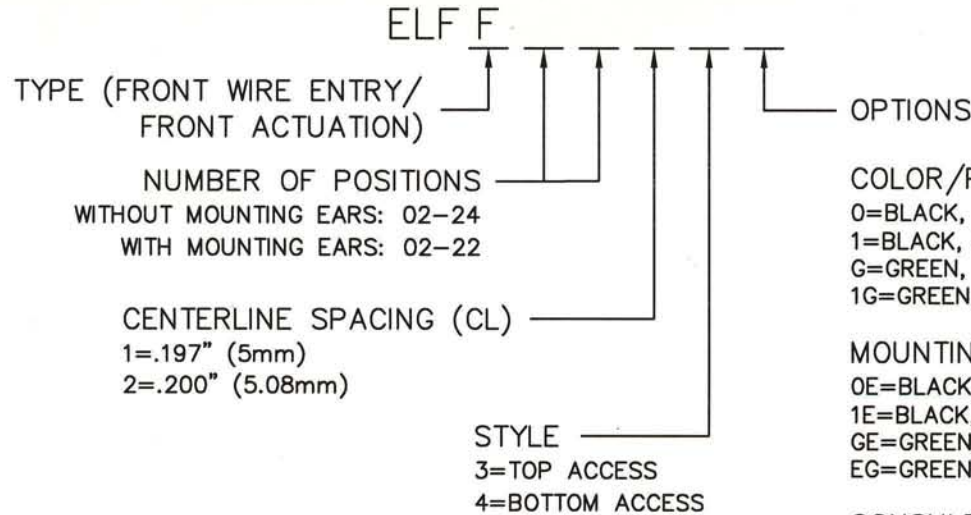


# ELFF SERIES PART NUMBERING SCHEME

REV	ECN	APPD
-	3600	JC 12/11/98
A	4686	IQ 1/2/02
B	4792	IQ 3/11/02
C	4821	IQ 4/9/02
D	5742	JN 12/28/05



**COLOR/PLATING**  
 0=BLACK, TIN (STANDARD)  
 1=BLACK, SELECTIVE GOLD  
 G=GREEN, TIN  
 1G=GREEN, SEL. GOLD

**MOUNTING EARS**  
 0E=BLACK, TIN  
 1E=BLACK, SEL. GOLD  
 GE=GREEN, TIN  
 EG=GREEN, SEL. GOLD

CONSULT PCD FOR PART NO. AND AVAILABILITY OF FOLLOWING OPTIONS:

- \* CUSTOM COLORS
- \* CUSTOM MARKING
- \* CUSTOM KEYING
- \* SELECTIVE CONTACT LOADING

**RU**  
RATINGS

CURRENT - 15A  
 VOLTAGE - 300V  
 U.L. FILE NO. E83421

**SP**  
RATINGS

CURRENT - 15A  
 VOLTAGE - 300V  
 CSA FILE NO. LR69703

DIN VDE 0627:1986  
 DIN VDE 0110-1:1989  
 EN 60947-1:1991  
 EN 60947-7-1:1992

CURRENT - 15A  
 VOLTAGE - 300V  
 TUV FILE NO. 20396

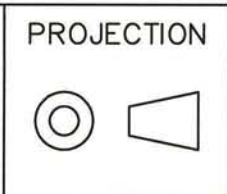
**INSTALLATION RECOMMENDATIONS:**  
 WIRE RANGE: AWG #14-26, STRANDED OR SOLID;  
 AWG #12 STRANDED  
 WIRE STRIP LENGTH: AWG #14-26: .310" (7,87mm)  
 AWG #12: .490" (12,45mm)  
 TIGHTENING TORQUE: 7 LB-IN.

**MATERIALS:**  
 HOUSING: PPO, UL 94 V-0  
 CONTACT: COPPER ALLOY, OPTIONAL FINISH  
 SCREW: STEEL, NICKEL FINISH  
 WIRE CLAMP: COPPER ALLOY, NICKEL FINISH

**MAX OPERATING TEMPERATURE:**  
 105°C

**DIMENSIONS**  
 ANSI Y14.5M  
 UNITS: INCHES  
 ACAD FILE

**TOLERANCES**  
 .XX ±.01  
 .XXX ±.005  
 ANGLES ±2°



**Amphenol Pcd**  
 SPECIFICATION DRAWING

ENGR  
 A. PATRIE 12/4/98

**TITLE**  
 ELFF SERIES  
 PLUGGABLE TERMINAL BLOCK  
 FRONT / FRONT

ORIGINAL  
 STAMPED  
 IN RED

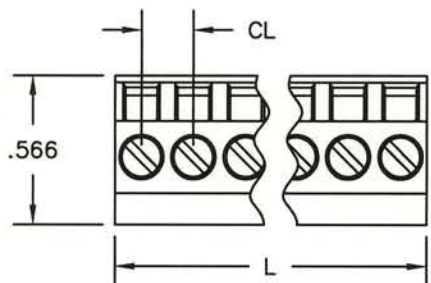
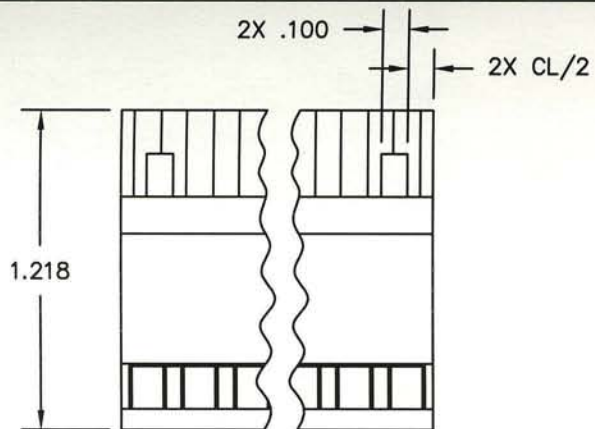
*THIS DOCUMENT CONTAINS  
 PROPRIETARY INFORMATION WHICH  
 IS THE CONFIDENTIAL PROPERTY  
 OF AMPHENOL PCD INC. PEABODY, MA*

CHKD  
 APPD  
 J. CAHALY 12/11/98

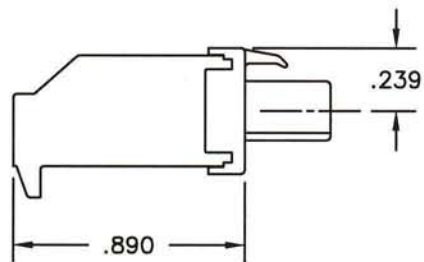
SIZE A	DWG NO. ELFF02130	REV D
CODE: 58982	SCALE: NONE	SHEET 1 OF 2

WITHOUT MOUNTING EARS

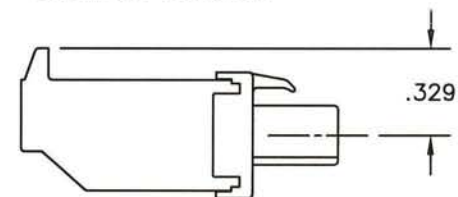
L=NUM OF POS X CL SPACING



TOP ACCESS

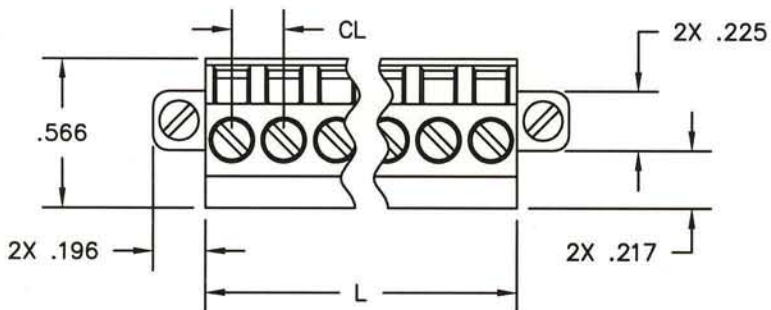
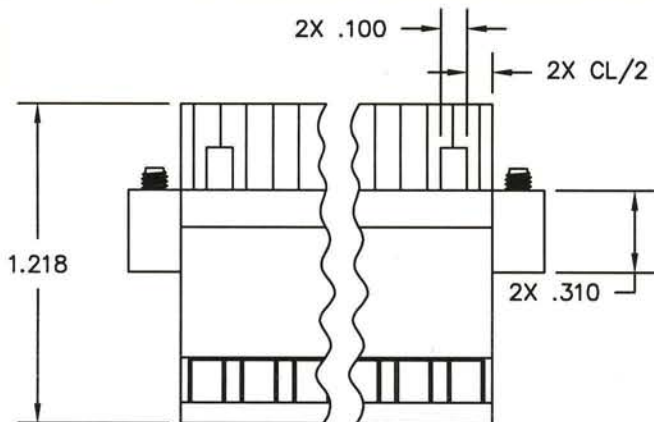


BOTTOM ACCESS

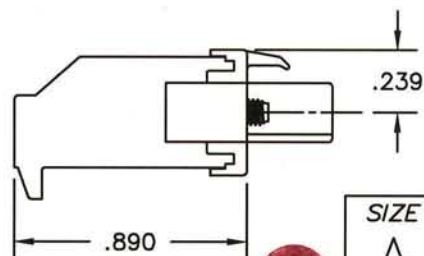


WITH MOUNTING EARS

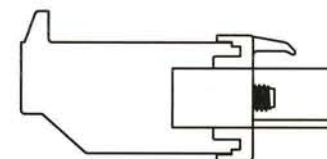
L=NUM OF POS X CL SPACING



TOP ACCESS



BOTTOM ACCESS



SIZE

DWG NO.

REV

A

ELFF02130

D

CODE: 58982

SCALE: NONE

SHEET 2 OF 2